



Compressor  
Voltage Code : FZ

AE4440Y-FZ1A

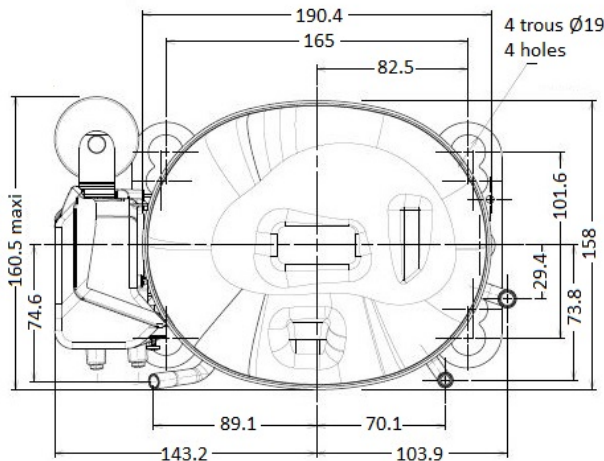
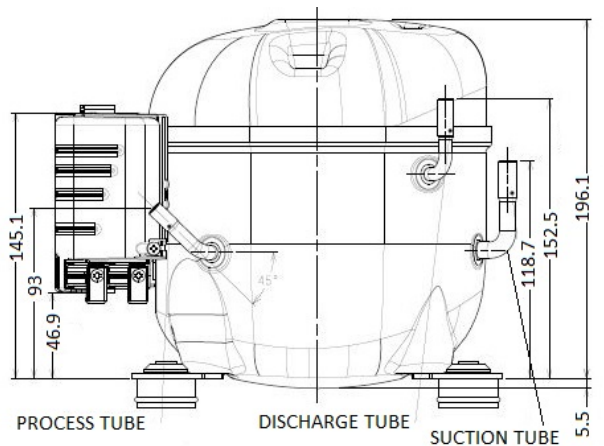
High Temp. Commercial (HP)

220 - 240V 1~ 50 Hz

R134a / R513A

AE4440Y-FZ1A\_BF

| Conditions         | Frequency | Nominal Cooling Capacity |       | Sound Power<br>ISO3745 / ISO 3743-1 |
|--------------------|-----------|--------------------------|-------|-------------------------------------|
|                    |           | Watts                    | BTU/h |                                     |
| EN12900_HP / R134a | 50 Hz     | 899                      | 3065  | 52 dBA                              |
| EN12900_HP / R513A | 50 Hz     | 915                      | 3119  | 52 dBA                              |



\* EN12900\_HP : T°Cond. 50.0°C / T°Evap. 5.0°C / T°Return gas temp.. 20.0°C  
T°Subcooling. 0.0K

Certificates :



|                                     |                                |
|-------------------------------------|--------------------------------|
| <b>Displacement (cc)</b>            | 10,33                          |
| <b>Net Weight (Kg)</b>              | 9.8                            |
| <b>Oil Quantity (cc)</b>            | 280.0                          |
| <b>Oil Type</b>                     | Polyolester                    |
| <b>Expansion Device</b>             | Capillary_Tube/Expansion_Valve |
| <b>Cooling</b>                      | Fan                            |
| <b>Main Winding (Ohm)</b>           | 8.1                            |
| <b>Start Winding (Ohm)</b>          | 18.3                           |
| <b>Current</b>                      |                                |
| RLA (A)                             | 2.5                            |
| MCC (A)                             | 3.7                            |
| LRA (A)                             | 13.2                           |
| <b>Electrical Equipment</b>         | CSIR                           |
| <b>Overload</b>                     | T0759                          |
| Time Check                          | 2.8s - 5.2s / 14.5 A           |
| Open Temp                           | 145° C                         |
| Close Temp                          | 61° C                          |
| <b>Start Capacitor</b>              | 88 µF / 250 V                  |
| <b>Current Relay</b>                | MTRP0029                       |
| Pick Up                             | 7,7A                           |
| Drop Out                            | 6,5A                           |
| <b>Refrigerating connection for</b> |                                |
| Suction Tube                        | 7.9 (5/16")                    |
| Discharge Tube                      | 6.35 (1/4")                    |
| Process Tube                        | 6.35 (1/4")                    |

Note : Tecumseh reserves the right to change information contained in this document without notification.



**Tecumseh**

|                     |   |
|---------------------|---|
| <b>AE4440Y-FZ1A</b> | <b>Tension FZ : 220 - 240V 1~ 50 Hz</b> |
|---------------------|---|

Les performances sont données dans les **conditions EN12900\_HP** :  
 Condition Dew  
 The performance data are in **EN12900\_HP conditions** :  
 Dew Condition

Gaz aspirés : 20.0 °C  
 Sous refroidissement : 0.0 K  
 Return gas : 20.0 °C  
 Subcooling : 0.0 K

| <b>50 Hz R134a</b> |                    |        |      |      |      |      |      |      |      |      |      |
|--------------------|--------------------|--------|------|------|------|------|------|------|------|------|------|
| <b>N°3061</b>      |                    |        |      |      |      |      |      |      |      |      |      |
| 4   T condensation | 5   T évaporation  | (°C)   | -25  | -20  | -15  | -10  | -5   | 0    | 5    | 10   | 15   |
| <b>30</b>          | 1   P frigorifique | (Watt) | 290  | 380  | 488  | 619  | 775  | 960  | 1176 | 1426 | 1715 |
|                    | 2   P absorbée     | (W)    | 209  | 231  | 253  | 276  | 298  | 318  | 336  | 351  | 363  |
|                    | 3   I absorbée     | (A)    | 1.99 | 2.01 | 2.04 | 2.09 | 2.15 | 2.21 | 2.29 | 2.39 | 2.49 |
| <b>40</b>          | 1   P frigorifique | (Watt) | 249  | 332  | 429  | 545  | 684  | 847  | 1038 | 1260 | 1517 |
|                    | 2   P absorbée     | (W)    | 217  | 241  | 266  | 293  | 321  | 348  | 375  | 399  | 422  |
|                    | 3   I absorbée     | (A)    | 1.90 | 1.94 | 2.00 | 2.06 | 2.14 | 2.23 | 2.33 | 2.44 | 2.56 |
| <b>50</b>          | 1   P frigorifique | (Watt) |      | 283  | 369  | 471  | 591  | 733  | 899  | 1093 | 1317 |
|                    | 2   P absorbée     | (W)    |      | 254  | 281  | 312  | 344  | 378  | 412  | 446  | 478  |
|                    | 3   I absorbée     | (A)    |      | 1.94 | 2.01 | 2.09 | 2.19 | 2.30 | 2.42 | 2.55 | 2.70 |
| <b>60</b>          | 1   P frigorifique | (Watt) |      |      | 311  | 398  | 499  | 619  | 760  | 926  | 1118 |
|                    | 2   P absorbée     | (W)    |      |      | 303  | 336  | 373  | 412  | 453  | 495  | 537  |
|                    | 3   I absorbée     | (A)    |      |      | 2.08 | 2.19 | 2.30 | 2.43 | 2.57 | 2.72 | 2.89 |

| <b>50 Hz R513A</b> |                    |        |      |      |      |      |      |      |      |      |      |
|--------------------|--------------------|--------|------|------|------|------|------|------|------|------|------|
| <b>N°3173</b>      |                    |        |      |      |      |      |      |      |      |      |      |
| 4   T condensation | 5   T évaporation  | (°C)   | -25  | -20  | -15  | -10  | -5   | 0    | 5    | 10   | 15   |
| <b>30</b>          | 1   P frigorifique | (Watt) | 334  | 429  | 541  | 673  | 826  | 1003 | 1207 | 1440 | 1704 |
|                    | 2   P absorbée     | (W)    | 233  | 253  | 274  | 296  | 317  | 340  | 362  | 385  | 409  |
|                    | 3   I absorbée     | (A)    | 2.21 | 2.20 | 2.21 | 2.24 | 2.28 | 2.36 | 2.47 | 2.62 | 2.80 |
| <b>40</b>          | 1   P frigorifique | (Watt) | 281  | 367  | 468  | 586  | 723  | 883  | 1067 | 1277 | 1517 |
|                    | 2   P absorbée     | (W)    | 237  | 261  | 286  | 312  | 339  | 367  | 396  | 426  | 457  |
|                    | 3   I absorbée     | (A)    | 2.08 | 2.11 | 2.15 | 2.20 | 2.26 | 2.35 | 2.46 | 2.60 | 2.78 |
| <b>50</b>          | 1   P frigorifique | (Watt) |      | 308  | 394  | 496  | 615  | 754  | 915  | 1100 | 1312 |
|                    | 2   P absorbée     | (W)    |      | 271  | 300  | 331  | 363  | 397  | 432  | 469  | 508  |
|                    | 3   I absorbée     | (A)    |      | 2.07 | 2.14 | 2.22 | 2.31 | 2.41 | 2.54 | 2.68 | 2.86 |
| <b>60</b>          | 1   P frigorifique | (Watt) |      |      | 327  | 409  | 507  | 622  | 757  | 914  | 1096 |
|                    | 2   P absorbée     | (W)    |      |      | 318  | 353  | 391  | 431  | 473  | 517  | 564  |
|                    | 3   I absorbée     | (A)    |      |      | 2.18 | 2.29 | 2.42 | 2.54 | 2.69 | 2.85 | 3.03 |

1 = cooling capacity 2 = power input 3 = current 4 = condensing temperature 5 = evaporating temperature

**Nota : Tecumseh se réserve le droit de modifier les informations contenues dans ce document sans préavis.**

**Note : Tecumseh reserves the right to change information contained in this document without notification.**

© 2021 Tecumseh Products Company  
All rights reserved