



Compressor  
Voltage Code : FZ

# AJ4476N-FZ

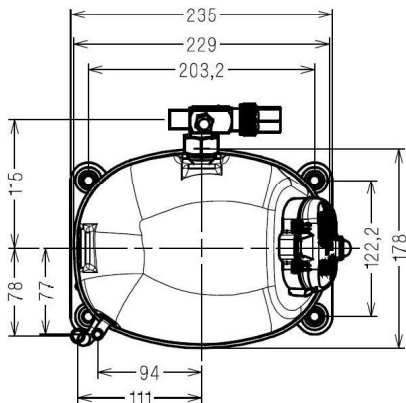
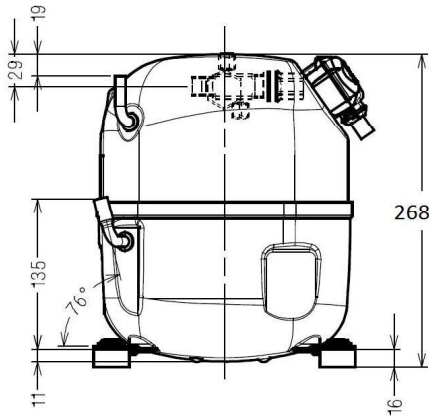
High Temp. Commercial (HP)

220 - 240V 1~ 50 Hz

R1234yf / R134a / R513A

## AJ4476N-FZ1A

Conditions	Frequency	Nominal Cooling Capacity		Sound Power ISO3745 / ISO 3743-1
		Watts	BTU/h	
CECOMAF / R1234yf	50 Hz	1576	5376	57 dBA
CECOMAF / R134a	50 Hz	1607	5479	57 dBA
CECOMAF / R513A	50 Hz	1641	5596	57 dBA



\* CECOMAF : T°Cond. 55.0°C / T°Evap. 5.0°C / T°Return gas temp.. 32.0°C  
T°Subcooling. 0.0K

Certificates :



<b>Displacement (cc)</b>	21,8
<b>Net Weight (Kg)</b>	18.5
<b>Oil Quantity (cc)</b>	475.0
<b>Oil Type</b>	Polyolester
<b>Expansion Device</b>	Capillary_Tube/Expansion_Valve
<b>Cooling</b>	Fan
<b>Main Winding (Ohm)</b>	3.6
<b>Start Winding (Ohm)</b>	14.5
<b>Current</b>	
RLA (A)	5,2
MCC (A)	7.2
LRA (A)	22.4
<b>Electrical Equipment</b>	CSIR
<b>Overload</b>	T0615
Time Check	2.8s - 5.2s / 22.5 A
Open Temp	120° C
Close Temp	61° C
<b>Start Capacitor</b>	64 µF / 330 V
<b>Potential Relay</b>	RVA4I**
Pick Up	204/233V
Drop Out	50/110V
Optional	/
<b>Refrigerating connection for</b>	
Suction Tube	15.9 (5/8")
Discharge Tube	6.35 (1/4")
Process Tube	6.35 (1/4")

Note : Tecumseh reserves the right to change information contained in this document without notification.



**Tecumseh**

<b>AJ4476N-FZ</b>	<b>Tension FZ : 220 - 240V 1~ 50 Hz</b>
-------------------	---

Les performances sont données dans les <b>conditions CECOMAF</b> :	Gaz aspirés :	32.0 °C
Condition Dew	Sous refroidissement :	0.0 K
The performance data are in <b>CECOMAF conditions</b> :	Return gas :	32.0 °C
Dew Condition	Subcooling :	0.0 K

<b>50 Hz R1234yf</b>											
											<b>N°User-94</b>
4   T condensation	5   T évaporation	(°C)	<b>-25</b>	<b>-20</b>	<b>-15</b>	<b>-10</b>	<b>-5</b>	<b>0</b>	<b>5</b>	<b>10</b>	<b>15</b>
<b>30</b>	1   P frigorifique	(Watt)	576	780	1021	1301	1627	2001	2429	2914	3462
	2   P absorbée	(W)	377	423	467	509	547	581	608	628	640
	3   I absorbée	(A)	3.31	3.45	3.58	3.70	3.80	3.90	3.98	4.05	4.10
<b>40</b>	1   P frigorifique	(Watt)		622	841	1094	1386	1720	2103	2537	3028
	2   P absorbée	(W)		432	491	547	599	647	688	722	747
	3   I absorbée	(A)		3.42	3.63	3.82	4.01	4.18	4.34	4.49	4.62
<b>50</b>	1   P frigorifique	(Watt)			650	873	1129	1421	1755	2136	2567
	2   P absorbée	(W)			492	567	639	705	765	817	861
	3   I absorbée	(A)			3.61	3.89	4.15	4.40	4.63	4.86	5.07
<b>60</b>	1   P frigorifique	(Watt)				648	864	1112	1395	1719	2089
	2   P absorbée	(W)				559	654	744	827	903	970
	3   I absorbée	(A)				3.88	4.22	4.55	4.86	5.17	5.46

<b>50 Hz R134a</b>											
											<b>N°3287</b>
4   T condensation	5   T évaporation	(°C)	<b>-25</b>	<b>-20</b>	<b>-15</b>	<b>-10</b>	<b>-5</b>	<b>0</b>	<b>5</b>	<b>10</b>	<b>15</b>
<b>30</b>	1   P frigorifique	(Watt)	493	695	935	1221	1556	1949	2406	2932	3533
	2   P absorbée	(W)	376	428	474	515	552	587	621	654	689
	3   I absorbée	(A)	3.69	3.80	3.91	4.02	4.13	4.23	4.34	4.44	4.55
<b>40</b>	1   P frigorifique	(Watt)		547	769	1029	1333	1689	2102	2578	3124
	2   P absorbée	(W)		425	489	547	600	650	698	744	790
	3   I absorbée	(A)		3.69	3.87	4.04	4.22	4.40	4.57	4.74	4.92
<b>50</b>	1   P frigorifique	(Watt)			591	823	1094	1409	1775	2199	2687
	2   P absorbée	(W)			482	561	635	705	770	834	896
	3   I absorbée	(A)			3.82	4.07	4.31	4.56	4.80	5.04	5.29
<b>60</b>	1   P frigorifique	(Watt)				614	847	1119	1436	1805	2233
	2   P absorbée	(W)				556	655	747	836	921	1004
	3   I absorbée	(A)				4.09	4.40	4.72	5.03	5.34	5.66

1 = cooling capacity 2 = power input 3 = current 4 = condensing temperature 5 = evaporating temperature

**Nota : Tecumseh se réserve le droit de modifier les informations contenues dans ce document sans préavis.**

**Note : Tecumseh reserves the right to change information contained in this document without notification.**

© 2024 Tecumseh Products Company  
All rights reserved



**Tecumseh**

<b>AJ4476N-FZ</b>	<b>Tension FZ : 220 - 240V 1~ 50 Hz</b>
-------------------	---

Les performances sont données dans les <b>conditions CECOMAF</b> :	Gaz aspirés :	32.0 °C
Condition Dew	Sous refroidissement :	0.0 K
The performance data are in <b>CECOMAF conditions</b> :	Return gas :	32.0 °C
Dew Condition	Subcooling :	0.0 K

<b>50 Hz R513A</b>											
											<b>N°3308</b>
4   T condensation	5   T évaporation	(°C)	<b>-25</b>	<b>-20</b>	<b>-15</b>	<b>-10</b>	<b>-5</b>	<b>0</b>	<b>5</b>	<b>10</b>	<b>15</b>
<b>30</b>	1   P frigorifique	(Watt)	572	788	1037	1329	1670	2069	2531	3065	3674
	2   P absorbée	(W)	415	469	516	558	596	632	667	702	740
	3   I absorbée	(A)	4.07	4.17	4.26	4.36	4.45	4.56	4.66	4.77	4.89
<b>40</b>	1   P frigorifique	(Watt)		613	840	1102	1409	1767	2182	2663	3213
	2   P absorbée	(W)		458	525	586	642	694	744	793	844
	3   I absorbée	(A)		3.97	4.15	4.33	4.51	4.69	4.88	5.06	5.25
<b>50</b>	1   P frigorifique	(Watt)			635	868	1138	1454	1822	2248	2737
	2   P absorbée	(W)			511	596	674	748	818	887	955
	3   I absorbée	(A)			4.05	4.32	4.58	4.84	5.10	5.37	5.64
<b>60</b>	1   P frigorifique	(Watt)				634	868	1141	1460	1831	2258
	2   P absorbée	(W)				585	691	791	887	979	1070
	3   I absorbée	(A)				4.31	4.65	5.00	5.34	5.69	6.03

© 2024 Tecumseh Products Company  
All rights reserved

1 = cooling capacity 2 = power input 3 = current 4 = condensing temperature 5 = evaporating temperature

**Nota : Tecumseh se réserve le droit de modifier les informations contenues dans ce document sans préavis.**  
**Note : Tecumseh reserves the right to change information contained in this document without notification.**