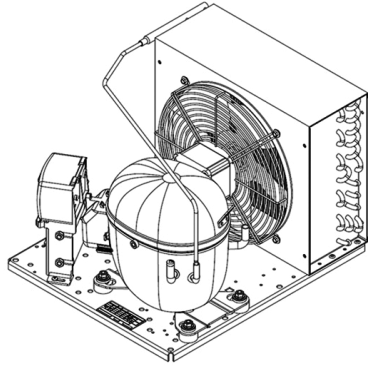


UNT6217GK



ENGINEERING CODE
604AA5304AA



REFRIGERANT
R-449A



POWER SUPPLY
220-240 V 50 Hz



APPLICATION
HBP



MOTOR TYPE
CSR



STANDARD
EN13215_RG20



COOLING CAPACITY
987 W



EFFICIENCY
1.69 W/W

CE

ECODESIGN
COMPLIANT

DATA

GENERAL DATA

Model UNT6217GK

ELECTRICAL DATA

Locked Rotor Amperage (LRA) 23.00 A

Rated Load Amperage (RLA) 3.64 A

Maximum Overcurrent Protection (MOP) 8.19 A

Minimum Current Ampacity (MCA) 4.5 A

CONDENSING COMPONENTS

Compressor NT6217GK M/HBP

Condenser 3R12T 2451218

Refrigerant R-404A

Expansion Device C-V

Fan Blade Diameter 275 mm

Fankit 34W 275/31/5B 1996583

MECHANICAL DATA

Air Flow	640 m ³ /h
Height	324 mm
Shaft Power	34 W
Weight	29 Kg
Width	395 mm
Length	494 mm

PERFORMANCE

TESTED CONDITIONS

Tested Refrigerant	R-449A
Tested Application	HBP
Tested Standard	EN13215_RG20

RATED POINTS

Ambient Temperature °C	Evaporating Temperature °C	Cooling Capacity W	Efficiency W/W	Consumo de Potencia W
32	-10	987	1.69	585

Test Condition: Subcooling 3 K, Return Gas 20 °C.

PERFORMANCE CURVE

Ambient Temperature 25°C

Evaporating Temperature °C	Cooling Capacity W	Efficiency W/W	Consumo de Potencia W
-15	853	1.62	525
-5	1306	2.14	611
0	1571	2.38	659

Test Condition: Subcooling 3 K, Return Gas 20 °C.

PERFORMANCE CURVE

Ambient Temperature 32°C

Evaporating Temperature °C	Cooling Capacity W	Efficiency W/W	Consumo de Potencia W
-15	791	1.46	541
-5	1205	1.91	631
0	1447	2.12	682

Test Condition: Subcooling 3 K, Return Gas 20 °C.

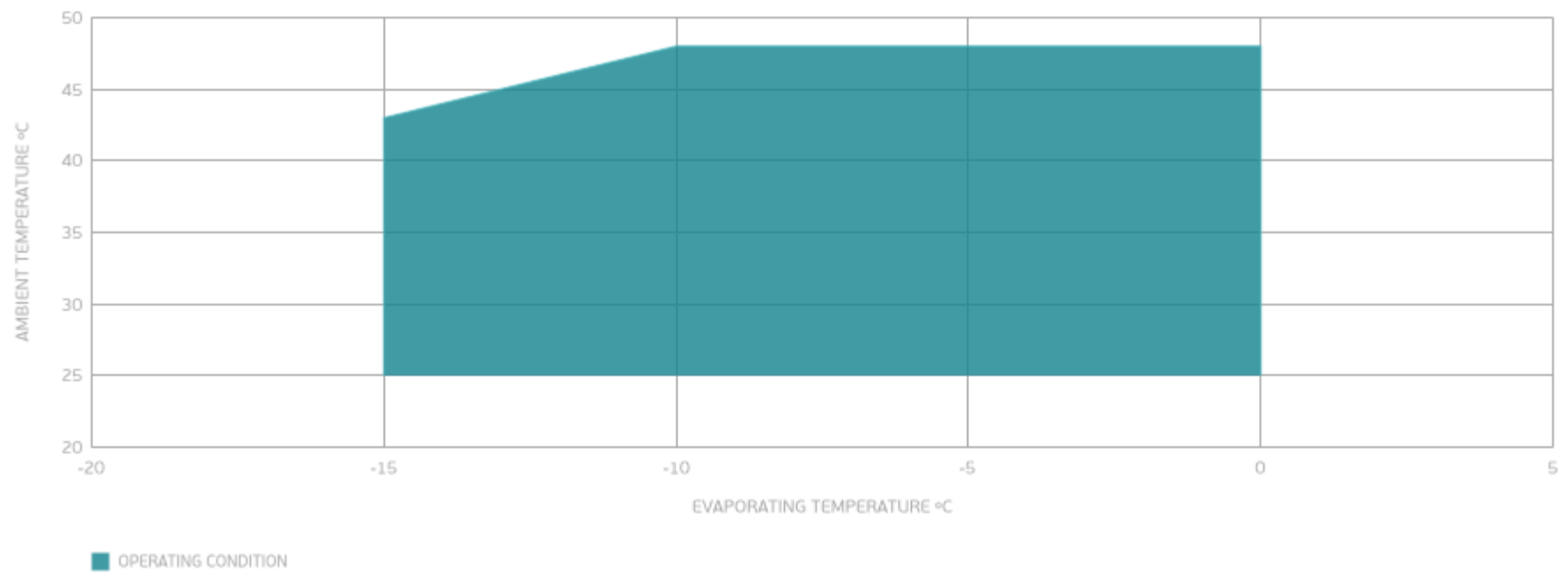
PERFORMANCE CURVE

Ambient Temperature 43°C

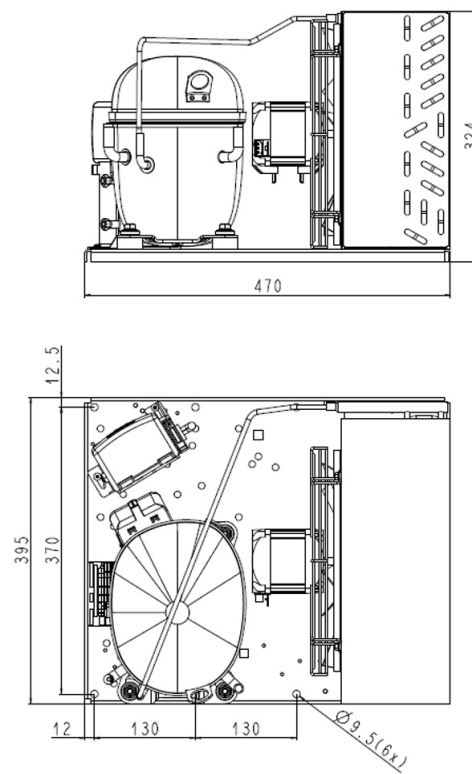
Evaporating Temperature °C	Cooling Capacity W	Efficiency W/W	Consumo de Potencia W
-15	687	1.20	571
-5	1040	1.55	670
0	1247	1.72	726

Test Condition: Subcooling 3 K, Return Gas 20 °C.

ENVELOPE



EXTERNAL DIMENSIONS



WIRING DIAGRAM

