

NEU2155U



ENGINEERING CODE
862KA58



REFRIGERANT
R-290



POWER SUPPLY
220-240 V 50 Hz



APPLICATION
LBP



MOTOR TYPE
CSIR



STANDARD
EN12900



COOLING CAPACITY
368 W



EFFICIENCY
1.21 W/W



DATA

GENERAL DATA

Model	NEU2155U
Type	Hermetic Reciprocating
Technology	ON/OFF
Compressor Application	LBP
Expansion Device	Capillary Tube or Expansion Valve
Compressor Cooling	Fan/220
HP	1/2
Starting Torque	HST
Plant	SLOVAKIA

ELECTRICAL DATA

Start Winding Resistance	19.29 Ω at 25°C
Run Winding Resistance	5.98 Ω at 25°C
Locked Rotor Amperage (LRA) 50Hz	17.5 A
Rated Load Amperage (LMBP) at 50 Hz	2.6 A

MECHANICAL DATA

Displacement	13.54 cm ³
Oil Charge	350 ml
Oil Type	AB
Oil Viscosity	ISO32
Weight	11.1 Kg

ELECTRICAL COMPONENTS

Start Capacitor	64-77 µf/330 V
CSR CSIR BOX	No
Starting Device Type	RELAY
Starting Device Description	MTRP-49-65*
Overload Protection	T0056/G6

PERFORMANCE

TESTED CONDITIONS

Tested Refrigerant	R-290
Tested Application	LBP
Tested Standard	EN12900
Tested Cooling	Fan
Tested Voltage	220 V
Refrigerant Temperature	Dew

RATED POINTS

Condensing Temperature °C	Evaporating Temperature °C	Cooling Capacity W	Efficiency W/W	Power Consumption W	Current A	Gas Flow Rate kg/h
40	-35	368	1.21	303	-	4.22

Test Condition: Subcooling 0 K, Return Gas 20 °C. Data are an indication of performance based simulation.

PERFORMANCE CURVE

Condensing Temperature 35°C

Evaporating Temperature °C	Cooling Capacity W	Efficiency W/W	Power Consumption W	Current A	Gas Flow Rate kg/h
-40	303	1.17	258	-	3.31
-35	392	1.34	293	-	4.31
-30	504	1.53	330	-	5.54
-25	637	1.74	366	-	7.03
-20	792	1.97	402	-	8.78
-15	970	2.23	435	-	10.81
-10	1170	2.52	465	-	13.10

Test Condition: Subcooling 0 K, Return Gas 20 °C. Data are an indication of performance based simulation.

PERFORMANCE CURVE

Condensing Temperature 45°C

Evaporating Temperature °C	Cooling Capacity W	Efficiency W/W	Power Consumption W	Current A	Gas Flow Rate kg/h
-40	263	0.97	271	-	3.15
-35	342	1.10	311	-	4.11
-30	439	1.24	354	-	5.30
-25	556	1.39	399	-	6.74
-20	692	1.55	445	-	8.42
-15	847	1.73	491	-	10.36
-10	1022	1.91	535	-	12.57

Test Condition: Subcooling 0 K, Return Gas 20 °C. Data are an indication of performance based simulation.

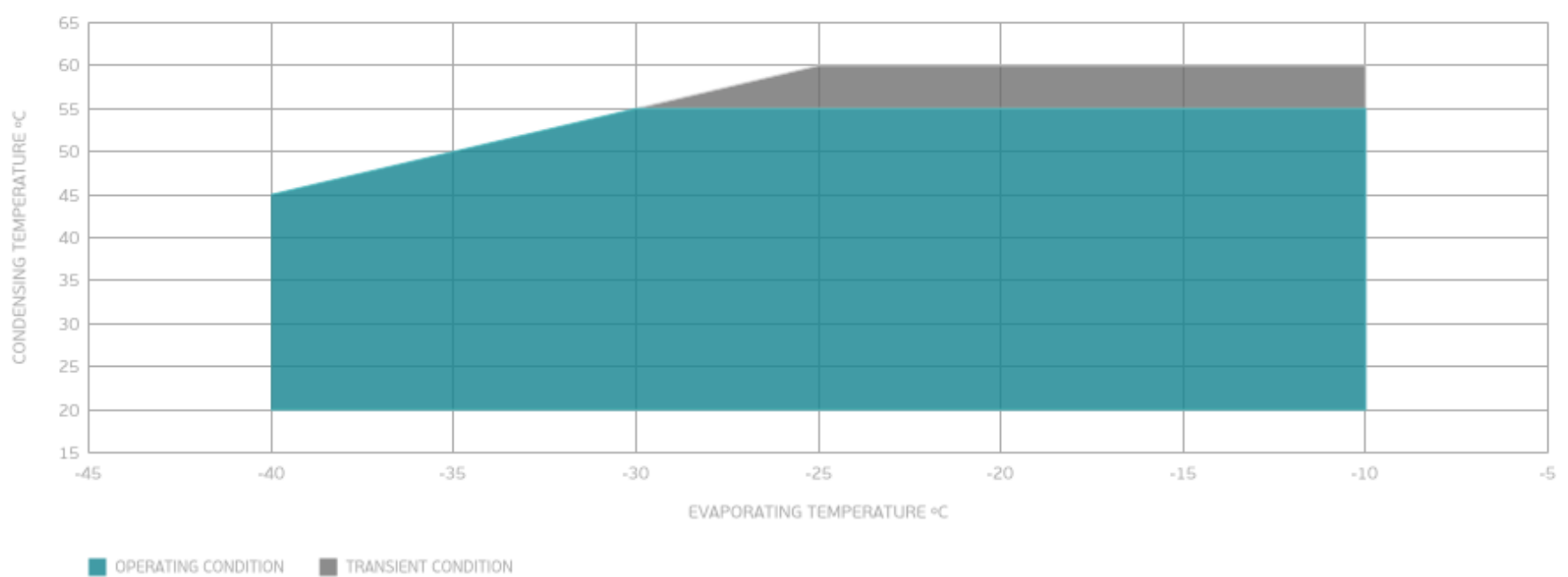
PERFORMANCE CURVE

Condensing Temperature 55°C

Evaporating Temperature °C	Cooling Capacity W	Efficiency W/W	Power Consumption W	Current A	Gas Flow Rate kg/h
-30	369	1.00	369	-	4.96
-25	469	1.11	422	-	6.34
-20	586	1.23	477	-	7.95
-15	719	1.35	534	-	9.82
-10	870	1.47	591	-	11.94

Test Condition: Subcooling 0 K, Return Gas 20 °C. Data are an indication of performance based simulation.

ENVELOPE



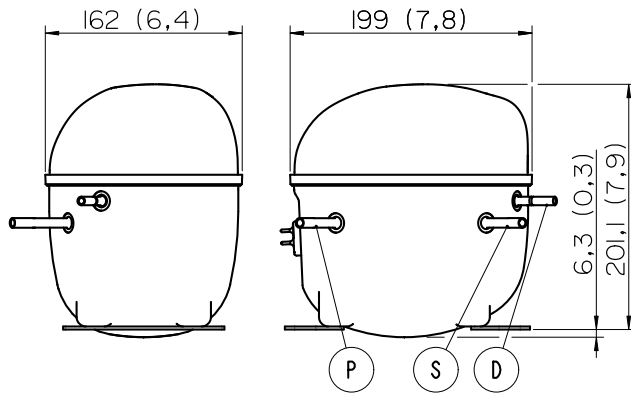
External

EXTERNAL CHARACTERISTICS

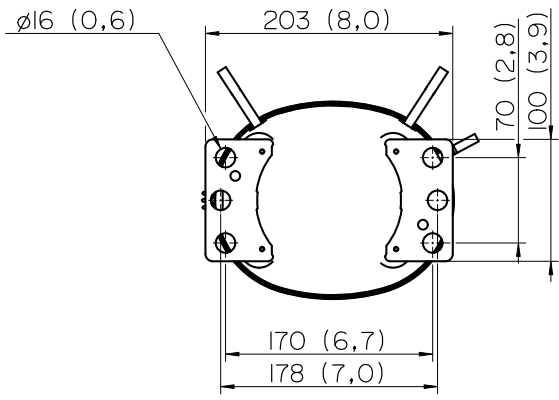
Base Plate		SMALL	
Tray Holder		YES	
Connector	Internal Diameter	Shape	Material
Suction	8.1 mm	SLANTED 42°	COPPER
Discharge	6.1 mm	STRAIGHT	COPPER

EXTERNAL DIMENSIONS

SHELL



BASE



FENCE

