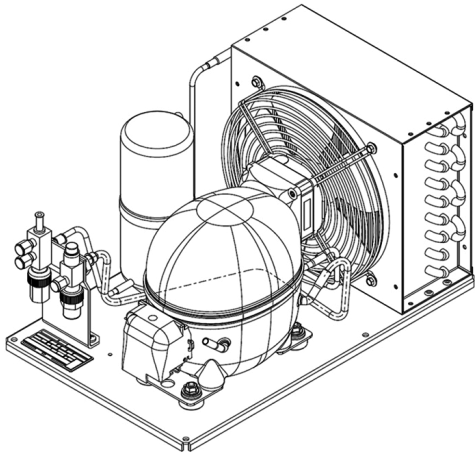


UNEK6160Z



ENGINEERING CODE
557BA8612AA



REFRIGERANT
R-134a



POWER SUPPLY
220-240 V 50 Hz



APPLICATION
HBP



MOTOR TYPE
CSIR



STANDARD
EN13215_RG20



COOLING CAPACITY
371 W



EFFICIENCY
1.56 W/W

CE

ECODESIGN
COMPLIANT

DATA

GENERAL DATA

Model UNEK6160Z

ELECTRICAL DATA

Locked Rotor Amperage (LRA) 11.50 A

Rated Load Amperage (RLA) 2.15 A

Maximum Overcurrent Protection (MOP) 4.84 A

Minimum Current Ampacity (MCA) 2.7 A

ACCESSORIES

Discharge valve SOLDER 1/4" 2110086

Suction valve SOLDER 3/8" 2110060

CONDENSING COMPONENTS

Compressor NEK6160Z M/HBP

Condenser 3R9T 2451205

Refrigerant R-134a

Expansion Device C-V

Fan Blade Diameter 230 mm

Fankit 10W 230/31/5B 1996699

MECHANICAL DATA

Air Flow	420 m ³ /h
Height	254 mm
Receiver	0.6 L
Shaft Power	10 W
Weight	20 Kg
Width	302 mm
Length	480 mm

PERFORMANCE

TESTED CONDITIONS

Tested Refrigerant	R-134a
Tested Application	HBP
Tested Standard	EN13215_RG20

RATED POINTS

Ambient Temperature °C	Evaporating Temperature °C	Cooling Capacity W	Efficiency W/W	Consumo de Potencia W
32	-10	371	1.56	237

Test Condition: Subcooling 3 K, Return Gas 20 °C.

PERFORMANCE CURVE

Ambient Temperature 25°C

Evaporating Temperature °C	Cooling Capacity W	Efficiency W/W	Consumo de Potencia W
-15	324	1.53	212
-5	503	2.02	249
0	609	2.27	268
5	726	2.52	288
10	854	2.77	308

Test Condition: Subcooling 3 K, Return Gas 20 °C.

PERFORMANCE CURVE

Ambient Temperature 32°C

Evaporating Temperature °C	Cooling Capacity W	Efficiency W/W	Consumo de Potencia W
-15	296	1.35	218
-5	456	1.78	257
0	553	2.00	277
5	660	2.22	297
10	777	2.45	318

Test Condition: Subcooling 3 K, Return Gas 20 °C.

PERFORMANCE CURVE

Ambient Temperature 43°C

Evaporating Temperature °C	Cooling Capacity W	Efficiency W/W	Consumo de Potencia W
-15	229	0.99	232
-5	368	1.32	279
0	452	1.49	303
5	546	1.66	328

Test Condition: Subcooling 3 K, Return Gas 20 °C.

ENVELOPE



EXTERNAL DIMENSIONS

