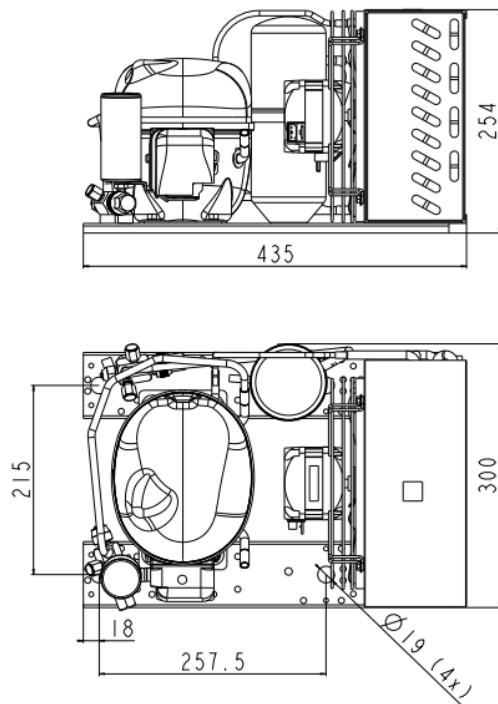


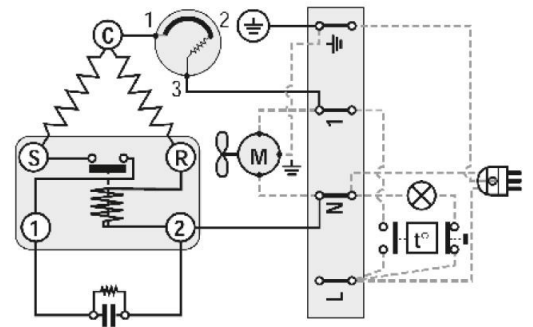
GENERAL DATA

Application:	M/HBP
Refrigerant:	R404A
Expansion Device:	C-V
Weight:	16.5 kg
Receiver:	1.1 liter
Voltage/Frequency:	220 - 240 V 50 ~
Height:	16.5 mm
Length:	435 mm
Width:	300 mm
Institute Approvals:	CE

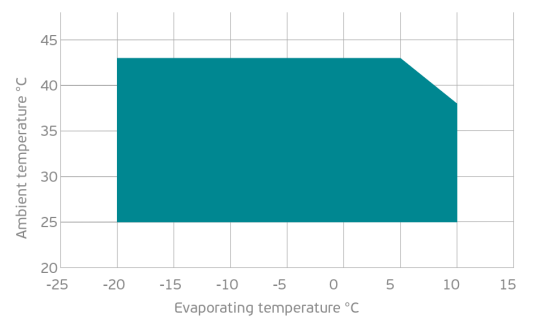
EXTERNAL DIMENSIONS



WIRING DIAGRAM



OPERATING ENVELOPE



COMPONENTS (SPARE PARTS)

valve_suca:	FLARE 3/8"	2110024
condenser:	3R9T	2451205
compressor:	NEK6165GK	957IA71..AN

valve_disch:	FLARE 1/4"	2110025
fankit:	10W 230/31/5B	1996699
elkit:	ELKOM NEK6165GK	957IA51N1A

For additional accessories please contact our technical support

ELECTRICAL DATA

Motor Type: CSIR -
Locked Rotor Amperage (LRA): 12.4 A
Max.Current: 2.79 A

At maximum evaporating temperature and maximum ambient temperature.

FAN MOTOR

Number: 1 -
Shaft Power: 10 W
Air Flow: 420 m³/h
Blade Diameter: 230 mm

PERFORMANCE CURVE DATA

Standard: EN13215-RG20 / return gas 20°C, subcooling 3K

50 Hz

	Evaporating Temperature (°C)	Cooling Capacity (W)	Power Consumption (W)	Current Consumption (A)	Efficiency (W/W)
25 °C Ambient Temperature	10°C	1 310	539	3.21	2.43
	5°C	1 137	507	3.08	2.24
	0°C	977	475	2.96	2.06
	-5°C	830	444	2.85	1.87
	Rated point -10°C	697	413	2.75	1.69
	-15°C	579	384	2.66	1.51
	-20°C	477	357	2.58	1.34
32 °C Ambient Temperature	10°C	998	554	3.04	1.80
	5°C	872	513	2.86	1.70
	0°C	757	473	2.69	1.60
	-5°C	653	433	2.53	1.51
	Rated point -10°C	563	395	2.39	1.43
	-15°C	486	357	2.26	1.36
	-20°C	424	322	2.13	1.32
43 °C Ambient Temperature	5°C	930	609	3.45	1.53
	0°C	801	561	3.25	1.43
	-5°C	680	514	3.07	1.32
	Rated point -10°C	571	467	2.90	1.22
	-15°C	473	423	2.75	1.12
	-20°C	387	380	2.62	1.02