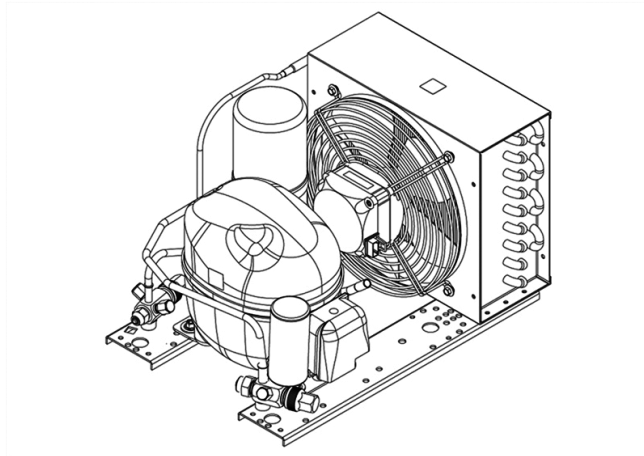


UNEK6170Z



CE


ENGINEERING CODE
573DA5212AA

REFRIGERANT
R-134a

POWER SUPPLY
220-240 V 50 Hz

APPLICATION
HBP

MOTOR TYPE
CSIR

STANDARD
EN13215_RG20

COOLING CAPACITY
419 W

EFFICIENCY
1.62 W/W

DATA

GENERAL DATA

Model	UNEK6170Z
-------	-----------

ELECTRICAL DATA

Locked Rotor Amperage (LRA)	12.40 A
-----------------------------	---------

Rated Load Amperage (RLA)	2.35 A
---------------------------	--------

Maximum Overcurrent Protection (MOP)	5.29 A
--------------------------------------	--------

Minimum Current Ampacity (MCA)	2.9 A
--------------------------------	-------

ACCESSORIES

Discharge valve	FLARE 1/4"	2110025
-----------------	------------	---------

Suction valve	FLARE 3/8"	2110024
---------------	------------	---------

CONDENSING COMPONENTS

Compressor	NEK6170Z	M/HBP
------------	----------	-------

Condenser	3R9T	2451205
-----------	------	---------

Refrigerant	R-134a
-------------	--------

Expansion Device	C-V
------------------	-----

Fan Blade Diameter	230 mm
--------------------	--------

Fankit	10W 230/31/5B	1996580
--------	---------------	---------

MECHANICAL DATA

Air Flow	420 m ³ /h
Height	254 mm
Receiver	1.1 L
Shaft Power	10 W
Weight	17 Kg
Width	300 mm
Length	435 mm

PERFORMANCE

TESTED CONDITIONS

Tested Refrigerant	R-134a
Tested Application	HBP
Tested Standard	EN13215_RG20

RATED POINTS

Ambient Temperature °C	Evaporating Temperature °C	Cooling Capacity W	Efficiency W/W	Consumo de Potencia W
32	-10	419	1.62	259

Test Condition: Subcooling 3 K, Return Gas 20 °C.

PERFORMANCE CURVE

Ambient Temperature 25°C

Evaporating Temperature °C	Cooling Capacity W	Efficiency W/W	Consumo de Potencia W
-15	370	1.61	230
-5	565	2.06	274
0	681	2.28	299
5	809	2.48	325
10	948	2.68	354

Test Condition: Subcooling 3 K, Return Gas 20 °C.

PERFORMANCE CURVE

Ambient Temperature 32°C

Evaporating Temperature °C	Cooling Capacity W	Efficiency W/W	Consumo de Potencia W
-15	336	1.42	238
-5	513	1.82	282
0	619	2.01	308
5	735	2.19	335
10	862	2.36	365

Test Condition: Subcooling 3 K, Return Gas 20 °C.

PERFORMANCE CURVE

Ambient Temperature 43°C

Evaporating Temperature °C	Cooling Capacity W	Efficiency W/W	Consumo de Potencia W
-15	264	1.06	249
-5	415	1.37	303
0	505	1.51	334
5	605	1.65	368

Test Condition: Subcooling 3 K, Return Gas 20 °C.

ENVELOPE



EXTERNAL DIMENSIONS

