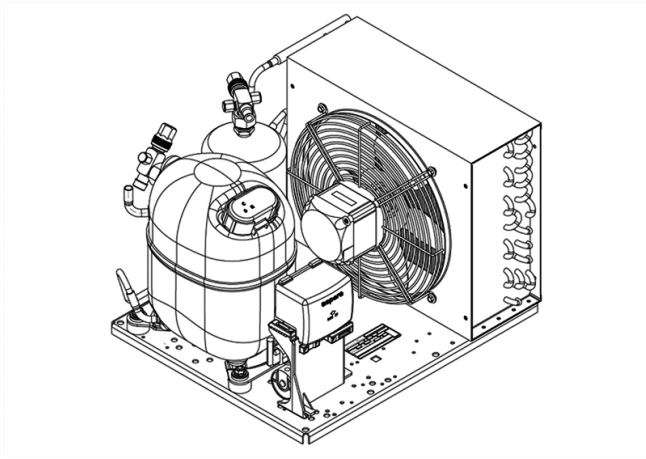


UNJ6226Z



**ENGINEERING CODE**  
642HA5610AA



**REFRIGERANT**  
R-134a



**POWER SUPPLY**  
220-240 V 50 Hz



**APPLICATION**  
HBP



**MOTOR TYPE**  
CSR



**STANDARD**  
EN13215\_RG20



**COOLING CAPACITY**  
1536 W



**EFFICIENCY**  
1.69 W/W

CE

ECODESIGN  
COMPLIANT

DATA

GENERAL DATA

**Model** UNJ6226Z

ELECTRICAL DATA

**Locked Rotor Amperage (LRA)** 31.00 A

**Rated Load Amperage (RLA)** 6.75 A

**Maximum Overcurrent Protection (MOP)** 15.19 A

**Minimum Current Ampacity (MCA)** 8.4 A

ACCESSORIES

**Discharge valve** SOLDER 3/8" 2110049

**Suction valve** SOLDER 5/8" 2110054

CONDENSING COMPONENTS

**Compressor** NJ6226Z M/HBP

**Condenser** 3R12T 2451140

**Refrigerant** R-134a

**Expansion Device** C-V

**Fan Blade Diameter** 275 mm

**Fankit** 34W 275/31/5B 1996583

## MECHANICAL DATA

Air Flow	640 m <sup>3</sup> /h
Height	324 mm
Receiver	2.3 L
Shaft Power	34 W
Weight	37 Kg
Width	410 mm
Length	481 mm

## PERFORMANCE

### TESTED CONDITIONS

Tested Refrigerant	R-134a
Tested Application	HBP
Tested Standard	EN13215_RG20

### RATED POINTS

Ambient Temperature °C	Evaporating Temperature °C	Cooling Capacity W	Efficiency W/W	Consumo de Potencia W
32	-10	1536	1.69	907

Test Condition: Subcooling 3 K, Return Gas 20 °C.

### PERFORMANCE CURVE

Ambient Temperature 25°C

Evaporating Temperature °C	Cooling Capacity W	Efficiency W/W	Consumo de Potencia W
-15	1339	1.72	781
-5	2057	2.07	992
0	2435	2.17	1121
5	2824	2.23	1264
10	3223	2.27	1423

Test Condition: Subcooling 3 K, Return Gas 20 °C.

### PERFORMANCE CURVE

Ambient Temperature 32°C

Evaporating Temperature °C	Cooling Capacity W	Efficiency W/W	Consumo de Potencia W
-15	1221	1.52	804
-5	1865	1.82	1024
0	2209	1.91	1156
5	2565	1.97	1304
10	2933	2.00	1467

Test Condition: Subcooling 3 K, Return Gas 20 °C.

## PERFORMANCE CURVE

Ambient Temperature 43°C

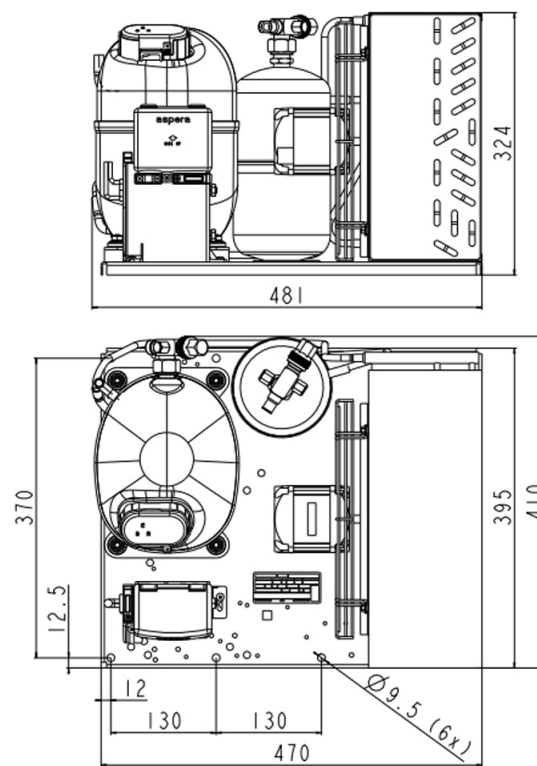
Evaporating Temperature °C	Cooling Capacity W	Efficiency W/W	Consumo de Potencia W
-15	1030	1.23	836
-5	1593	1.46	1090
0	1900	1.53	1240
5	2222	1.58	1405

Test Condition: Subcooling 3 K, Return Gas 20 °C.

## ENVELOPE



## EXTERNAL DIMENSIONS



WIRING DIAGRAM

