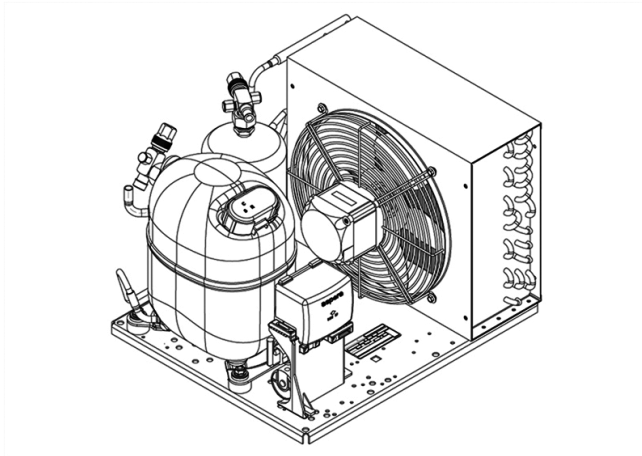


UNJ6226Z



CE



ENGINEERING CODE
642HA5610AA

REFRIGERANT
R-513A

POWER SUPPLY
220-240 V 50 Hz

APPLICATION
HBP

MOTOR TYPE
CSR

STANDARD
EN13215_RG20

COOLING CAPACITY
1599 W

EFFICIENCY
1.66 W/W

DATA

GENERAL DATA

Model	UNJ6226Z
-------	----------

ELECTRICAL DATA

Locked Rotor Amperage (LRA)	31.00 A
-----------------------------	---------

Rated Load Amperage (RLA)	6.75 A
---------------------------	--------

Maximum Overcurrent Protection (MOP)	15.19 A
--------------------------------------	---------

Minimum Current Ampacity (MCA)	8.4 A
--------------------------------	-------

ACCESSORIES

Discharge valve	SOLDER 3/8"	2110049
-----------------	-------------	---------

Suction valve	SOLDER 5/8"	2110054
---------------	-------------	---------

CONDENSING COMPONENTS

Compressor	NJ6226Z	M/HBP
------------	---------	-------

Condenser	3R12T	2451140
-----------	-------	---------

Refrigerant	R-134a
-------------	--------

Expansion Device	C-V
------------------	-----

Fan Blade Diameter	275 mm
--------------------	--------

Fankit	34W 275/31/5B	1996583
--------	---------------	---------

MECHANICAL DATA

Air Flow	640 m ³ /h
Height	324 mm
Receiver	2.3 L
Shaft Power	34 W
Weight	37 Kg
Width	410 mm
Length	481 mm

PERFORMANCE

TESTED CONDITIONS

Tested Refrigerant	R-513A
Tested Application	HBP
Tested Standard	EN13215_RG20

RATED POINTS

Ambient Temperature °C	Evaporating Temperature °C	Cooling Capacity W	Efficiency W/W	Consumo de Potencia W
32	-10	1599	1.66	961

Test Condition: Subcooling 3 K, Return Gas 20 °C.

PERFORMANCE CURVE

Ambient Temperature 25°C

Evaporating Temperature °C	Cooling Capacity W	Efficiency W/W	Consumo de Potencia W
-15	1421	1.71	829
-5	2129	2.02	1052
0	2492	2.10	1189
5	2861	2.13	1341
10	3232	2.14	1507

Test Condition: Subcooling 3 K, Return Gas 20 °C.

PERFORMANCE CURVE

Ambient Temperature 32°C

Evaporating Temperature °C	Cooling Capacity W	Efficiency W/W	Consumo de Potencia W
-15	1287	1.51	854
-5	1920	1.77	1085
0	2248	1.84	1225
5	2583	1.87	1380
10	2922	1.89	1549

Test Condition: Subcooling 3 K, Return Gas 20 °C.

PERFORMANCE CURVE

Ambient Temperature 43°C

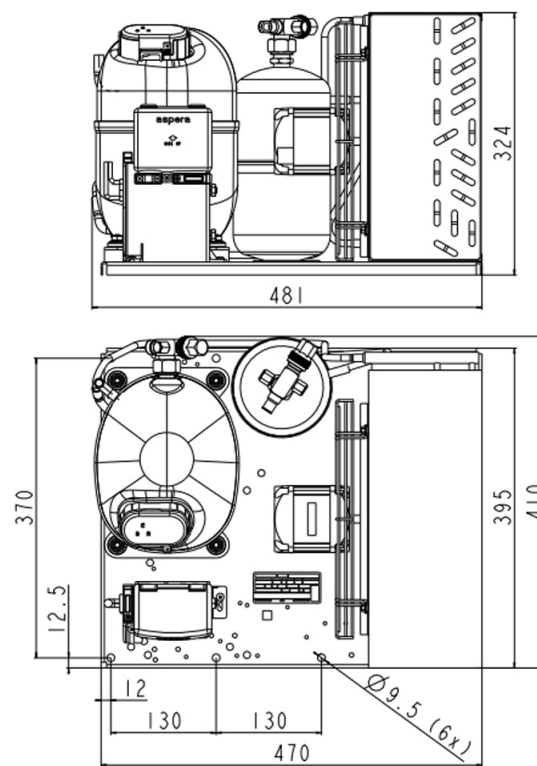
Evaporating Temperature °C	Cooling Capacity W	Efficiency W/W	Consumo de Potencia W
-15	1083	1.22	889
-5	1627	1.41	1156
0	1914	1.46	1314
5	2209	1.49	1486

Test Condition: Subcooling 3 K, Return Gas 20 °C.

ENVELOPE



EXTERNAL DIMENSIONS



WIRING DIAGRAM

