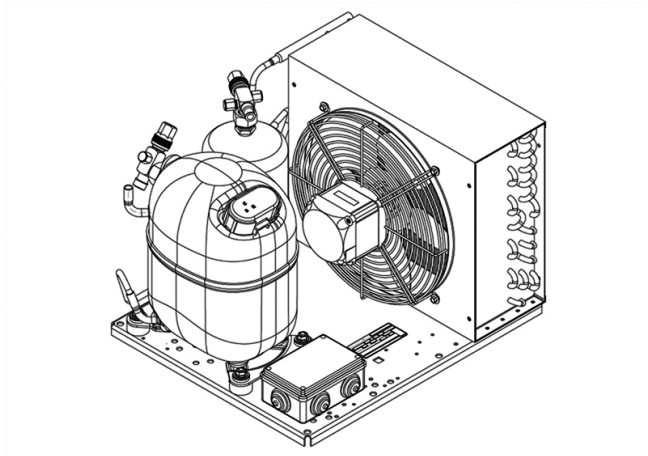


## UNJ6220ZX



CE



**ENGINEERING CODE**  
548PM5603AA

**REFRIGERANT**  
R-513A

**POWER SUPPLY**  
380-420 V 50 Hz

**APPLICATION**  
HBP

**MOTOR TYPE**  
3PH

**STANDARD**  
EN13215\_RG20

**COOLING CAPACITY**  
1311 W

**EFFICIENCY**  
1.71 W/W

## DATA

## GENERAL DATA

Model	UNJ6220ZX
-------	-----------

## ELECTRICAL DATA

Locked Rotor Amperage (LRA)	11.20 A
-----------------------------	---------

Rated Load Amperage (RLA)	2.35 A
---------------------------	--------

Maximum Overcurrent Protection (MOP)	5.29 A
--------------------------------------	--------

Minimum Current Ampacity (MCA)	2.9 A
--------------------------------	-------

## ACCESSORIES

Discharge valve	SOLDER 3/8"	2110049
-----------------	-------------	---------

Suction valve	SOLDER 1/2"	2110050
---------------	-------------	---------

## CONDENSING COMPONENTS

Compressor	NJ6220ZX	M/HBP
------------	----------	-------

Condenser	3R12T	2451140
-----------	-------	---------

Refrigerant	R-134a
-------------	--------

Expansion Device	C-V
------------------	-----

Fan Blade Diameter	275 mm
--------------------	--------

Fankit	34W/400V 275/31	1996582
--------	-----------------	---------

## MECHANICAL DATA

Air Flow	640 m <sup>3</sup> /h
Height	324 mm
Receiver	2.3 L
Shaft Power	34 W
Weight	35 Kg
Width	410 mm
Length	481 mm

## PERFORMANCE

### TESTED CONDITIONS

Tested Refrigerant	R-513A
Tested Application	HBP
Tested Standard	EN13215_RG20

### RATED POINTS

Ambient Temperature °C	Evaporating Temperature °C	Cooling Capacity W	Efficiency W/W	Consumo de Potencia W
32	-10	1311	1.71	766

Test Condition: Subcooling 3 K, Return Gas 20 °C.

### PERFORMANCE CURVE

Ambient Temperature 25°C

Evaporating Temperature °C	Cooling Capacity W	Efficiency W/W	Consumo de Potencia W
-15	1185	1.78	666
-5	1745	2.10	829
0	2069	2.25	920
5	2421	2.38	1015
10	2800	2.52	1113

Test Condition: Subcooling 3 K, Return Gas 20 °C.

### PERFORMANCE CURVE

Ambient Temperature 32°C

Evaporating Temperature °C	Cooling Capacity W	Efficiency W/W	Consumo de Potencia W
-15	1069	1.55	689
-5	1579	1.85	852
0	1872	1.98	944
5	2188	2.10	1043
10	2528	2.20	1146

Test Condition: Subcooling 3 K, Return Gas 20 °C.

## PERFORMANCE CURVE

Ambient Temperature 43°C

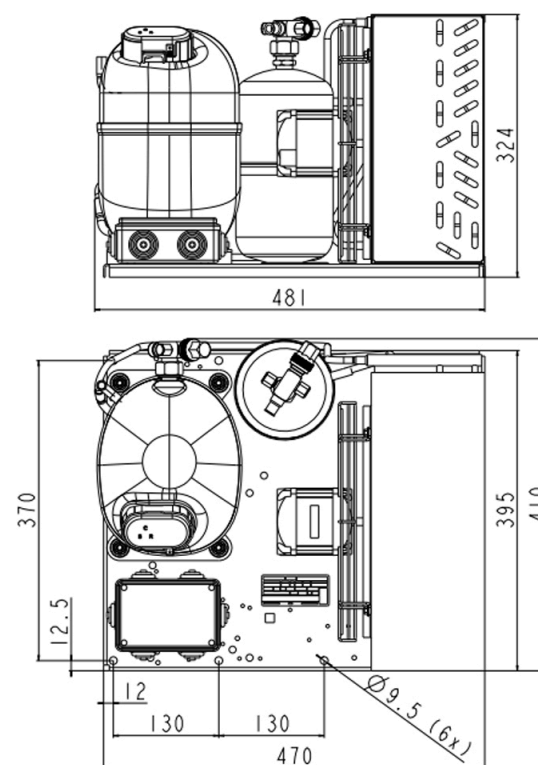
Evaporating Temperature °C	Cooling Capacity W	Efficiency W/W	Consumo de Potencia W
-15	881	1.28	687
-5	1333	1.52	875
0	1587	1.61	984
5	1859	1.69	1102

Test Condition: Subcooling 3 K, Return Gas 20 °C.

## ENVELOPE



## EXTERNAL DIMENSIONS



WIRING DIAGRAM

