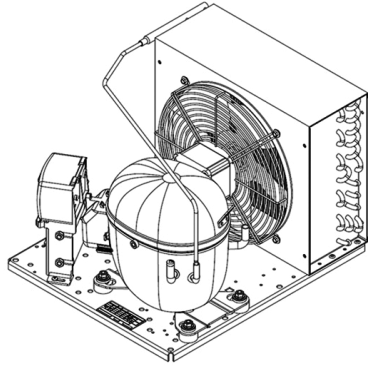


UNT6220GK



ENGINEERING CODE
602BN5304AA



REFRIGERANT
R-404A



POWER SUPPLY
200-240 V 50 Hz
/ 230 V 60 Hz



APPLICATION
HBP



MOTOR TYPE
CSR



STANDARD
EN13215_RG20



COOLING CAPACITY
1266 W



EFFICIENCY
1.75 W/W

DATA

GENERAL DATA

Model UNT6220GK

ELECTRICAL DATA

Locked Rotor Amperage (LRA) 29.50 A

Rated Load Amperage (RLA) 5.15 A

Maximum Overcurrent Protection (MOP) 11.59 A

Minimum Current Ampacity (MCA) 6.4 A

CONDENSING COMPONENTS

Compressor NT6220GK M/HBP

Condenser 3R12T 2451140

Refrigerant R-404A

Expansion Device C-V

Fan Blade Diameter 275 mm

Fankit 34W 275/31/5B 1996583

MECHANICAL DATA

Air Flow	640 m ³ /h
Height	324 mm
Shaft Power	34 W
Weight	31 Kg
Width	395 mm
Length	494 mm

PERFORMANCE

TESTED CONDITIONS

Tested Refrigerant	R-404A
Tested Application	HBP
Tested Standard	EN13215_RG20

RATED POINTS

Ambient Temperature °C	Evaporating Temperature °C	Cooling Capacity W	Efficiency W/W	Consumo de Potencia W
32	-10	1266	1.75	724

Test Condition: Subcooling 3 K, Return Gas 20 °C.

PERFORMANCE CURVE

Ambient Temperature 25°C

Evaporating Temperature °C	Cooling Capacity W	Efficiency W/W	Consumo de Potencia W
-20	911	1.55	588
-15	1151	1.78	645
-5	1650	2.16	763
0	1908	2.32	824
5	2173	2.45	886
10	2443	2.57	949

Test Condition: Subcooling 3 K, Return Gas 20 °C.

PERFORMANCE CURVE

Ambient Temperature 32°C

Evaporating Temperature °C	Cooling Capacity W	Efficiency W/W	Consumo de Potencia W
-20	833	1.37	608
-15	1045	1.57	664
-5	1494	1.90	785
0	1730	2.04	848
5	1974	2.16	913
10	2226	2.27	980

Test Condition: Subcooling 3 K, Return Gas 20 °C.

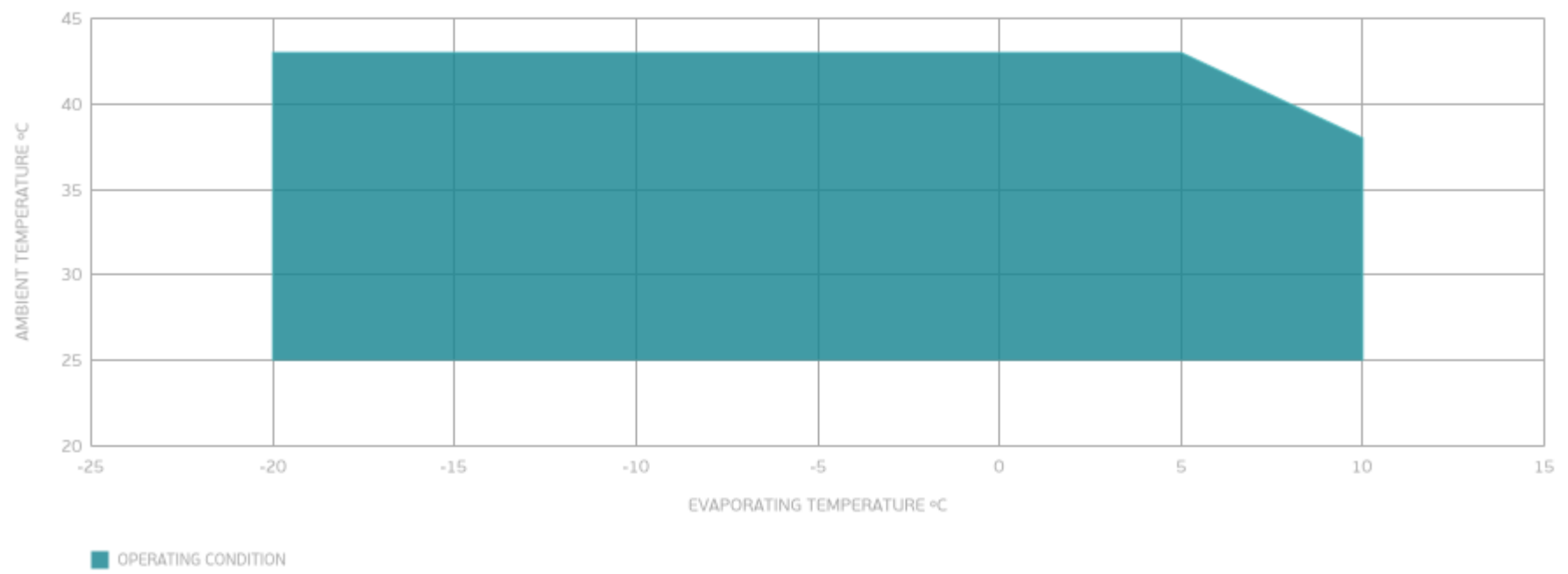
PERFORMANCE CURVE

Ambient Temperature 43°C

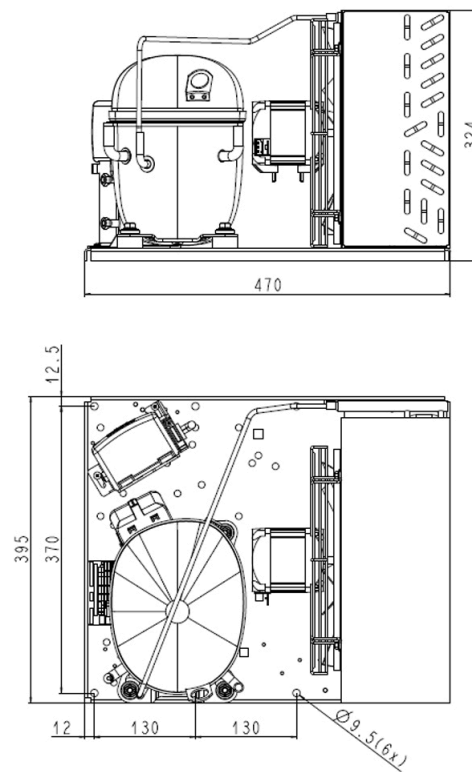
Evaporating Temperature °C	Cooling Capacity W	Efficiency W/W	Consumo de Potencia W
-20	653	1.05	624
-15	834	1.22	683
-5	1230	1.52	811
0	1444	1.64	880
5	1669	1.75	952

Test Condition: Subcooling 3 K, Return Gas 20 °C.

ENVELOPE



EXTERNAL DIMENSIONS



WIRING DIAGRAM

