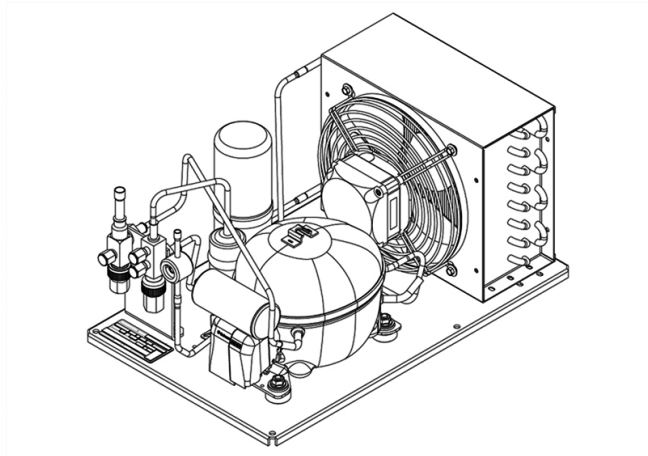


## UEMT6144GK



CE


**ENGINEERING CODE**  
594EAL612AA

**REFRIGERANT**  
R-404A

**POWER SUPPLY**  
220-240 V 50 Hz

**APPLICATION**  
HBP

**MOTOR TYPE**  
CSIR

**STANDARD**  
EN13215\_RG20

**COOLING CAPACITY**  
385 W

**EFFICIENCY**  
1.74 W/W

## DATA

## GENERAL DATA

Model	UEMT6144GK
-------	------------

## ELECTRICAL DATA

Locked Rotor Amperage (LRA)	7.70 A
-----------------------------	--------

Rated Load Amperage (RLA)	1.68 A
---------------------------	--------

Maximum Overcurrent Protection (MOP)	3.78 A
--------------------------------------	--------

Minimum Current Ampacity (MCA)	2.1 A
--------------------------------	-------

## ACCESSORIES

Dryer	FILTER DRYER 6MM ODF	2730006
-------	----------------------	---------

Sightglass	SIGHT GLASS 6MM ODF	2464031
------------	---------------------	---------

Discharge valve	SOLDER 1/4"	2110086
-----------------	-------------	---------

Suction valve	SOLDER 3/8"	2110060
---------------	-------------	---------

## CONDENSING COMPONENTS

Compressor	EMT6144GK	M/HBP
------------	-----------	-------

Condenser	3R8T	2451204
-----------	------	---------

Refrigerant	R-404A
-------------	--------

Expansion Device	C-V
------------------	-----

Fan Blade Diameter	200 mm
--------------------	--------

Fankit	10W 200/28/5B	1996581
--------	---------------	---------

## MECHANICAL DATA

Air Flow	300 m <sup>3</sup> /h
Height	226 mm
Receiver	0.6 L
Shaft Power	10 W
Weight	17 Kg
Width	302 mm
Length	480 mm

## PERFORMANCE

### TESTED CONDITIONS

Tested Refrigerant	R-404A
Tested Application	HBP
Tested Standard	EN13215_RG20

### RATED POINTS

Ambient Temperature °C	Evaporating Temperature °C	Cooling Capacity W	Efficiency W/W	Consumo de Potencia W
32	-10	385	1.74	222

Test Condition: Subcooling 3 K, Return Gas 20 °C.

### PERFORMANCE CURVE

Ambient Temperature 25°C

Evaporating Temperature °C	Cooling Capacity W	Efficiency W/W	Consumo de Potencia W
-20	293	1.59	184
-15	355	1.79	199
-5	497	2.14	232
0	576	2.30	251
5	659	2.44	270
10	748	2.57	292

Test Condition: Subcooling 3 K, Return Gas 20 °C.

**PERFORMANCE CURVE**

Ambient Temperature 32°C

Evaporating Temperature °C	Cooling Capacity W	Efficiency W/W	Consumo de Potencia W
-20	266	1.41	189
-15	323	1.58	205
-5	451	1.88	240
0	523	2.02	259
5	599	2.15	279
10	681	2.27	300

Test Condition: Subcooling 3 K, Return Gas 20 °C.

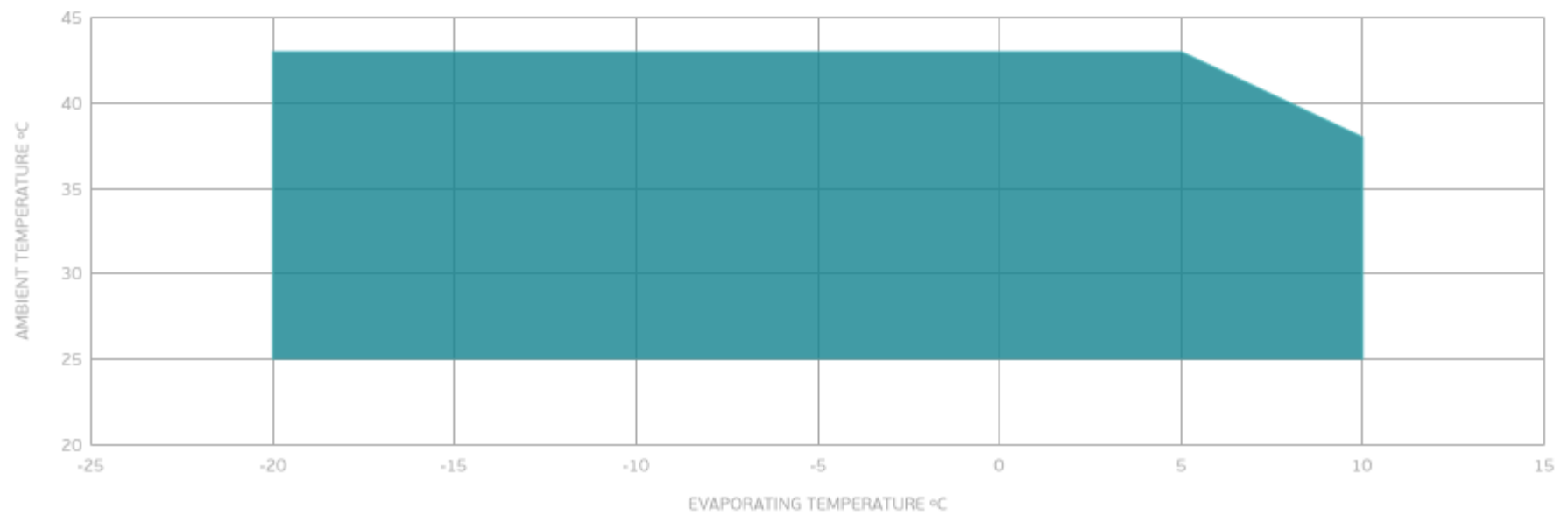
**PERFORMANCE CURVE**

Ambient Temperature 43°C

Evaporating Temperature °C	Cooling Capacity W	Efficiency W/W	Consumo de Potencia W
-20	219	1.09	200
-15	265	1.21	219
-5	372	1.43	261
0	433	1.53	283
5	497	1.62	306

Test Condition: Subcooling 3 K, Return Gas 20 °C.

**ENVELOPE**



■ OPERATING CONDITION

