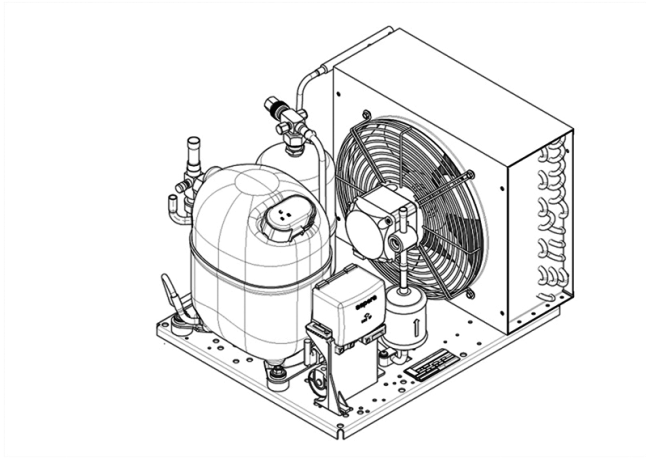


UNJ2212GK



ENGINEERING CODE
643TAL604AA



REFRIGERANT
R-404A



POWER SUPPLY
220-240 V 50 Hz



APPLICATION
LBP



MOTOR TYPE
CSR



STANDARD
EN13215_RG20



COOLING CAPACITY
883 W



EFFICIENCY
1.02 W/W

CE

ECODESIGN COMPLIANT

DATA

GENERAL DATA

Model UNJ2212GK

ELECTRICAL DATA

Locked Rotor Amperage (LRA) 36.00 A

Rated Load Amperage (RLA) 6.50 A

Maximum Overcurrent Protection (MOP) 14.63 A

Minimum Current Ampacity (MCA) 8.1 A

ACCESSORIES

Dryer FILTER DRYER 10MM ODF 2730010

Sightglass SIGHT GLASS 10MM ODF 2464040

Discharge valve SOLDER 3/8" 2110049

Suction valve SOLDER 5/8" 2110054

CONDENSING COMPONENTS

Compressor NJ2212GK LBP

Condenser 3R12T 2451140

Refrigerant R-404A

Expansion Device C-V

Fan Blade Diameter 275 mm

Fankit 34W 275/31/5B 1996583

MECHANICAL DATA

Air Flow	800 m ³ /h
Height	324 mm
Receiver	2.3 L
Shaft Power	34 W
Weight	38 Kg
Width	404 mm
Length	505 mm

PERFORMANCE

TESTED CONDITIONS

Tested Refrigerant	R-404A
Tested Application	LBP
Tested Standard	EN13215_RG20

RATED POINTS

Ambient Temperature °C	Evaporating Temperature °C	Cooling Capacity W	Efficiency W/W	Consumo de Potencia W
32	-35	883	1.02	867

Test Condition: Subcooling 3 K, Return Gas 20 °C.

PERFORMANCE CURVE

Ambient Temperature 25°C

Evaporating Temperature °C	Cooling Capacity W	Efficiency W/W	Consumo de Potencia W
-40	808	1.04	777
-30	1329	1.32	1010
-25	1617	1.39	1161
-20	1926	1.44	1335
-15	2260	1.48	1532
-10	2621	1.50	1752

Test Condition: Subcooling 3 K, Return Gas 20 °C.

PERFORMANCE CURVE

Ambient Temperature 32°C

Evaporating Temperature °C	Cooling Capacity W	Efficiency W/W	Consumo de Potencia W
-40	629	0.84	748
-30	1154	1.14	1008
-25	1446	1.24	1171
-20	1762	1.30	1355
-15	2104	1.35	1562
-10	2475	1.38	1791

Test Condition: Subcooling 3 K, Return Gas 20 °C.

PERFORMANCE CURVE

Ambient Temperature 43°C

Evaporating Temperature °C	Cooling Capacity W	Efficiency W/W	Consumo de Potencia W
-40	509	0.69	737
-30	920	0.88	1041
-25	1159	0.95	1222
-20	1426	1.00	1423
-15	1721	1.05	1644

Test Condition: Subcooling 3 K, Return Gas 20 °C.

ENVELOPE

