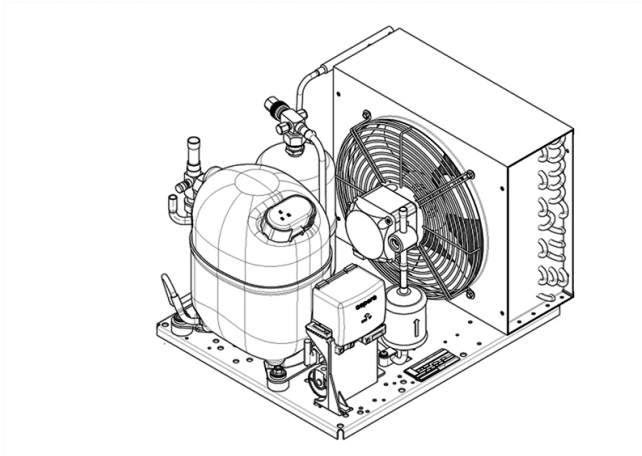


UNJ2212GK



CE



ENGINEERING CODE
643TAL604AA

REFRIGERANT
R-452A

POWER SUPPLY
220-240 V 50 Hz

APPLICATION
LBP

MOTOR TYPE
CSR

STANDARD
EN13215_RG20

COOLING CAPACITY
830 W

EFFICIENCY
1.02 W/W

DATA

GENERAL DATA

Model	UNJ2212GK
-------	-----------

ELECTRICAL DATA

Locked Rotor Amperage (LRA)	36.00 A
-----------------------------	---------

Rated Load Amperage (RLA)	6.50 A
---------------------------	--------

Maximum Overcurrent Protection (MOP)	14.63 A
--------------------------------------	---------

Minimum Current Ampacity (MCA)	8.1 A
--------------------------------	-------

ACCESSORIES

Dryer	FILTER DRYER 10MM ODF	2730010
-------	-----------------------	---------

Sightglass	SIGHT GLASS 10MM ODF	2464040
------------	----------------------	---------

Discharge valve	SOLDER 3/8"	2110049
-----------------	-------------	---------

Suction valve	SOLDER 5/8"	2110054
---------------	-------------	---------

CONDENSING COMPONENTS

Compressor	NJ2212GK	LBP
------------	----------	-----

Condenser	3R12T	2451140
-----------	-------	---------

Refrigerant	R-404A
-------------	--------

Expansion Device	C-V
------------------	-----

Fan Blade Diameter	275 mm
--------------------	--------

Fankit	34W 275/31/5B	1996583
--------	---------------	---------

MECHANICAL DATA

Air Flow	800 m ³ /h
Height	324 mm
Receiver	2.3 L
Shaft Power	34 W
Weight	38 Kg
Width	404 mm
Length	505 mm

PERFORMANCE

TESTED CONDITIONS

Tested Refrigerant	R-452A
Tested Application	LBP
Tested Standard	EN13215_RG20

RATED POINTS

Ambient Temperature °C	Evaporating Temperature °C	Cooling Capacity W	Efficiency W/W	Consumo de Potencia W
32	-35	830	1.02	813

Test Condition: Subcooling 3 K, Return Gas 20 °C.

PERFORMANCE CURVE

Ambient Temperature 25°C

Evaporating Temperature °C	Cooling Capacity W	Efficiency W/W	Consumo de Potencia W
-40	733	0.99	741
-30	1278	1.31	978
-25	1581	1.41	1122
-20	1902	1.47	1290
-15	2239	1.51	1483
-10	2592	1.52	1707

Test Condition: Subcooling 3 K, Return Gas 20 °C.

PERFORMANCE CURVE

Ambient Temperature 32°C

Evaporating Temperature °C	Cooling Capacity W	Efficiency W/W	Consumo de Potencia W
-40	606	0.90	676
-30	1077	1.11	966
-25	1343	1.18	1139
-20	1628	1.22	1336
-15	1929	1.24	1561
-10	2246	1.24	1817

Test Condition: Subcooling 3 K, Return Gas 20 °C.

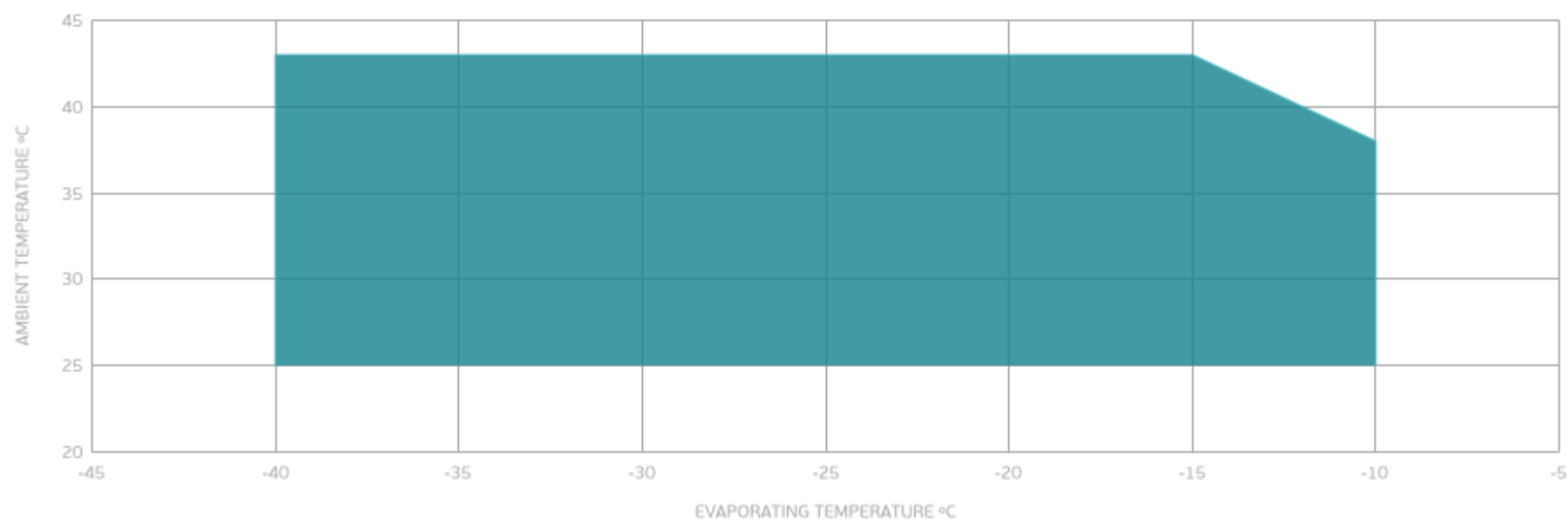
PERFORMANCE CURVE

Ambient Temperature 43°C

Evaporating Temperature °C	Cooling Capacity W	Efficiency W/W	Consumo de Potencia W
-40	409	0.59	696
-30	838	0.85	982
-25	1084	0.94	1156
-20	1349	1.00	1355
-15	1631	1.03	1584

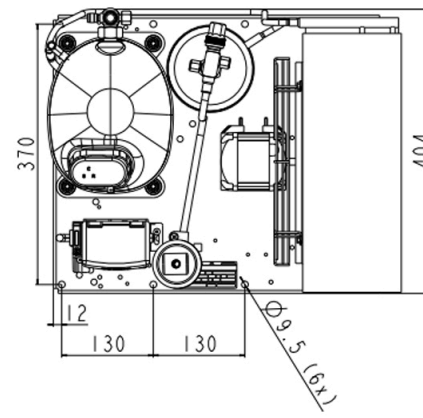
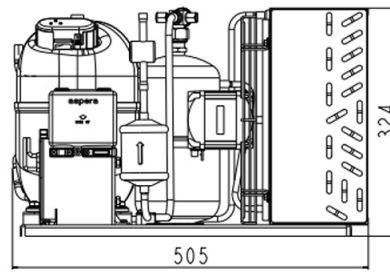
Test Condition: Subcooling 3 K, Return Gas 20 °C.

ENVELOPE



■ OPERATING CONDITION

EXTERNAL DIMENSIONS



WIRING DIAGRAM

