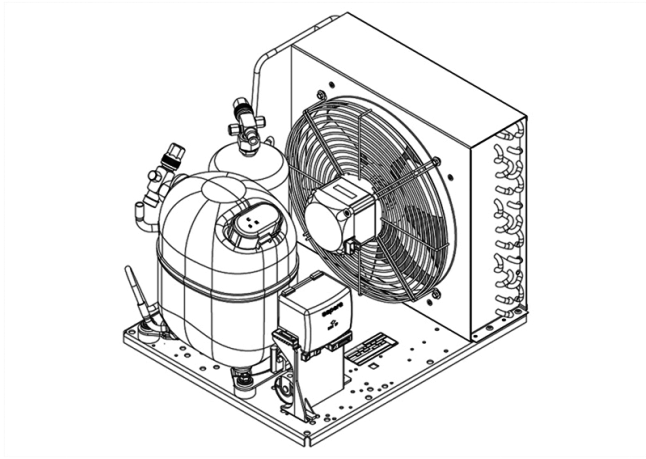


UNJ9226GK



ENGINEERING CODE
644LV5604AA



REFRIGERANT
R-404A



POWER SUPPLY
230 V 50 Hz



APPLICATION
HBP



MOTOR TYPE
CSR



STANDARD
EN13215_RG20



COOLING CAPACITY
1719 W



EFFICIENCY
1.64 W/W

CE

ECODESIGN
COMPLIANT

DATA

GENERAL DATA

Model UNJ9226GK

ELECTRICAL DATA

Locked Rotor Amperage (LRA) 27.50 A

Rated Load Amperage (RLA) 7.37 A

Maximum Overcurrent Protection (MOP) 16.58 A

Minimum Current Ampacity (MCA) 9.2 A

ACCESSORIES

Discharge valve SOLDER 3/8" 2110049

Suction valve SOLDER 5/8" 2110054

CONDENSING COMPONENTS

Compressor NJ9226GK M/HBP

Condenser 3R14T 2451221

Refrigerant R-404A

Expansion Device C-V

Fan Blade Diameter 300 mm

Fankit 34W 300/28/5B 1996585

MECHANICAL DATA

Air Flow	700 m ³ /h
Height	372 mm
Receiver	2.3 L
Shaft Power	34 W
Weight	36 Kg
Width	411 mm
Length	482 mm

PERFORMANCE

TESTED CONDITIONS

Tested Refrigerant	R-404A
Tested Application	HBP
Tested Standard	EN13215_RG20

RATED POINTS

Ambient Temperature °C	Evaporating Temperature °C	Cooling Capacity W	Efficiency W/W	Consumo de Potencia W
32	-10	1719	1.64	1049

Test Condition: Subcooling 3 K, Return Gas 20 °C.

PERFORMANCE CURVE

Ambient Temperature 25°C

Evaporating Temperature °C	Cooling Capacity W	Efficiency W/W	Consumo de Potencia W
-20	1273	1.53	831
-15	1567	1.71	919
-5	2232	1.98	1127
0	2598	2.09	1244
5	2984	2.18	1367
10	3386	2.26	1496

Test Condition: Subcooling 3 K, Return Gas 20 °C.

PERFORMANCE CURVE

Ambient Temperature 32°C

Evaporating Temperature °C	Cooling Capacity W	Efficiency W/W	Consumo de Potencia W
-20	1155	1.35	857
-15	1425	1.50	947
-5	2033	1.75	1161
0	2365	1.84	1282
5	2713	1.93	1410
10	3075	1.99	1542

Test Condition: Subcooling 3 K, Return Gas 20 °C.

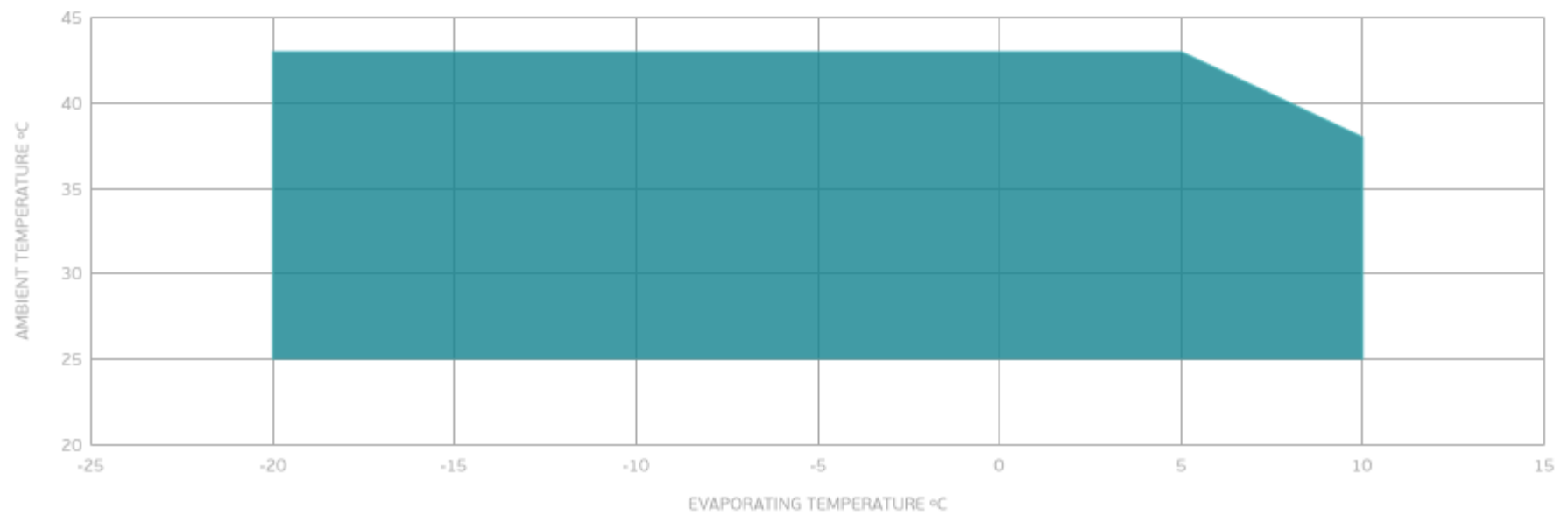
PERFORMANCE CURVE

Ambient Temperature 43°C

Evaporating Temperature °C	Cooling Capacity W	Efficiency W/W	Consumo de Potencia W
-20	1015	1.15	884
-15	1279	1.31	979
-5	1859	1.54	1206
0	2169	1.63	1334
5	2491	1.69	1470

Test Condition: Subcooling 3 K, Return Gas 20 °C.

ENVELOPE



■ OPERATING CONDITION

