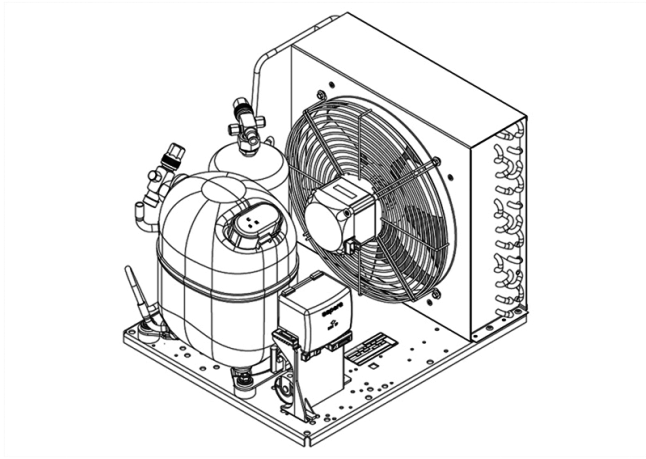


UNJ9226GK



ENGINEERING CODE
644LV5604AA



REFRIGERANT
R-449A



POWER SUPPLY
230 V 50 Hz



APPLICATION
HBP



MOTOR TYPE
CSR



STANDARD
EN13215_RG20



COOLING CAPACITY
1557 W



EFFICIENCY
1.65 W/W

CE

ECODESIGN
COMPLIANT

DATA

GENERAL DATA

Model UNJ9226GK

ELECTRICAL DATA

Locked Rotor Amperage (LRA) 27.50 A

Rated Load Amperage (RLA) 7.37 A

Maximum Overcurrent Protection (MOP) 16.58 A

Minimum Current Ampacity (MCA) 9.2 A

ACCESSORIES

Discharge valve SOLDER 3/8" 2110049

Suction valve SOLDER 5/8" 2110054

CONDENSING COMPONENTS

Compressor NJ9226GK M/HBP

Condenser 3R14T 2451221

Refrigerant R-404A

Expansion Device C-V

Fan Blade Diameter 300 mm

Fankit 34W 300/28/5B 1996585

MECHANICAL DATA

Air Flow	700 m ³ /h
Height	372 mm
Receiver	2.3 L
Shaft Power	34 W
Weight	36 Kg
Width	411 mm
Length	482 mm

PERFORMANCE

TESTED CONDITIONS

Tested Refrigerant	R-449A
Tested Application	HBP
Tested Standard	EN13215_RG20

RATED POINTS

Ambient Temperature °C	Evaporating Temperature °C	Cooling Capacity W	Efficiency W/W	Consumo de Potencia W
32	-10	1557	1.65	944

Test Condition: Subcooling 3 K, Return Gas 20 °C.

PERFORMANCE CURVE

Ambient Temperature 25°C

Evaporating Temperature °C	Cooling Capacity W	Efficiency W/W	Consumo de Potencia W
-15	1357	1.66	817
-5	2067	2.04	1014
0	2472	2.20	1124

Test Condition: Subcooling 3 K, Return Gas 20 °C.

PERFORMANCE CURVE

Ambient Temperature 32°C

Evaporating Temperature °C	Cooling Capacity W	Efficiency W/W	Consumo de Potencia W
-15	1247	1.47	848
-5	1901	1.81	1051
0	2277	1.95	1167

Test Condition: Subcooling 3 K, Return Gas 20 °C.

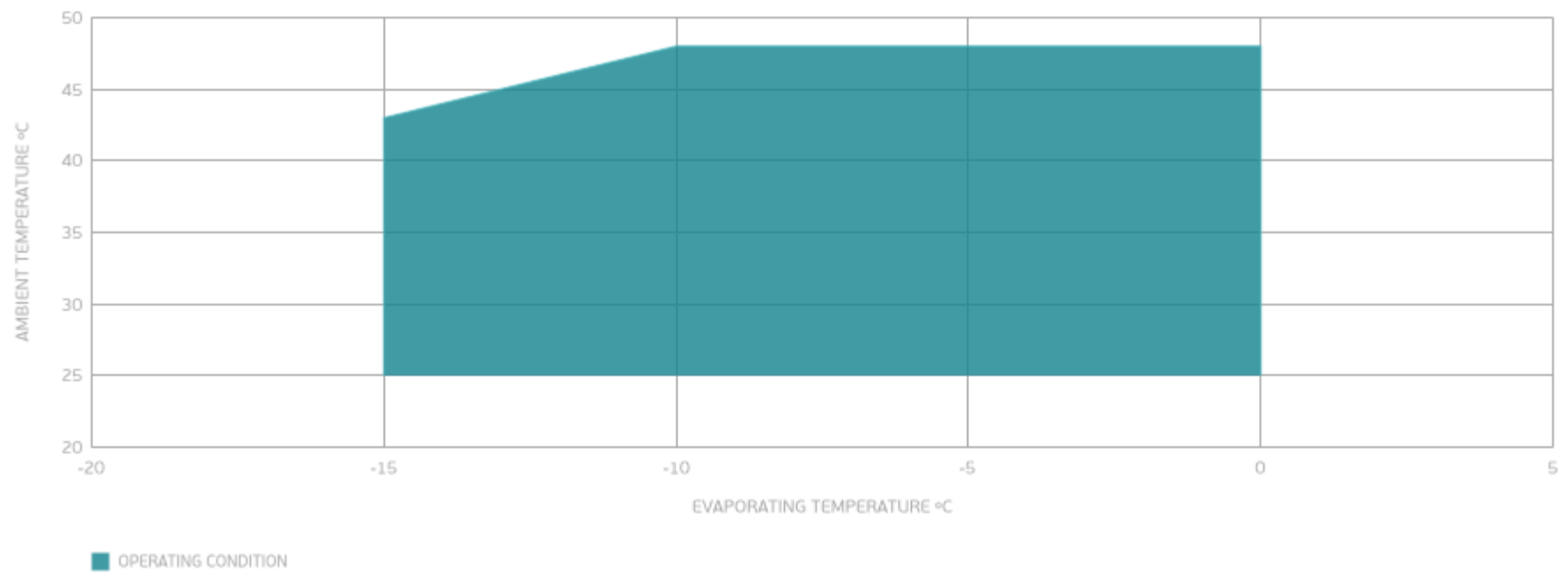
PERFORMANCE CURVE

Ambient Temperature 43°C

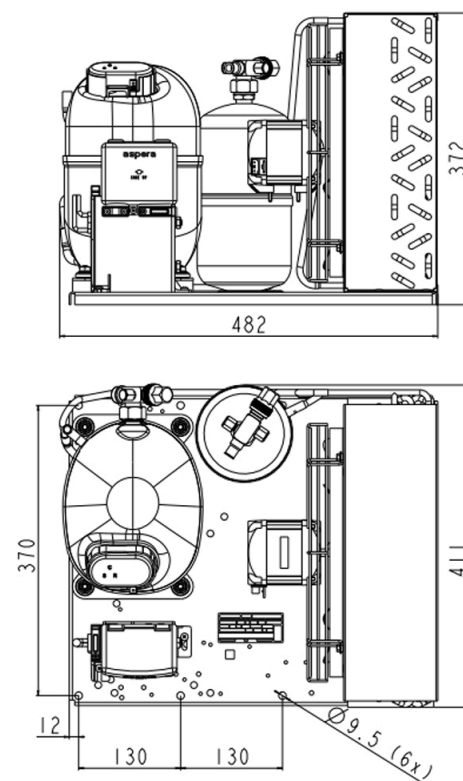
Evaporating Temperature °C	Cooling Capacity W	Efficiency W/W	Consumo de Potencia W
-15	1136	1.29	878
-5	1771	1.61	1099
0	2138	1.74	1229

Test Condition: Subcooling 3 K, Return Gas 20 °C.

ENVELOPE



EXTERNAL DIMENSIONS



WIRING DIAGRAM

