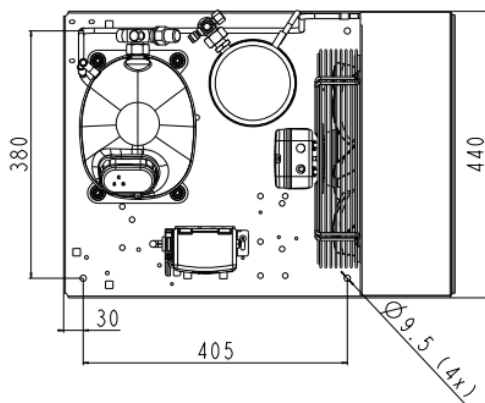
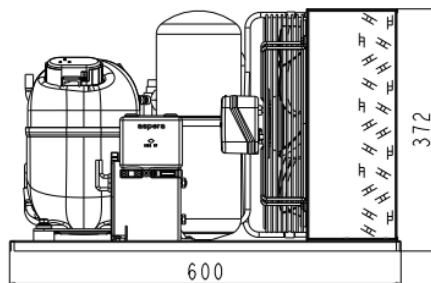


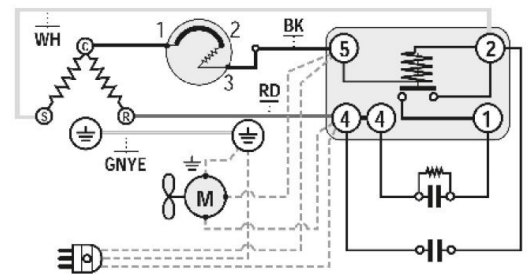
### GENERAL DATA

<b>Application:</b>	M/HBP
<b>Refrigerant:</b>	R404A
<b>Expansion Device:</b>	C-V
<b>Weight:</b>	45.1 kg
<b>Receiver:</b>	3.9 liter
<b>Voltage/Frequency:</b>	220 - 240 V 50 ~
<b>Height:</b>	45.1 mm
<b>Length:</b>	600 mm
<b>Width:</b>	440 mm
<b>Institute Approvals:</b>	<b>CE</b>

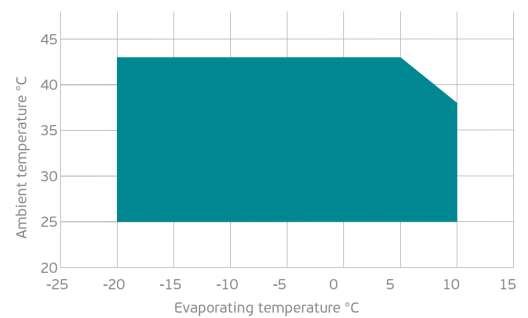
### EXTERNAL DIMENSIONS



### WIRING DIAGRAM



### OPERATING ENVELOPE



### COMPONENTS (SPARE PARTS)

<b>valve_suca:</b>	SOLDER 5/8"	2110054
<b>compressor:</b>	NJ9232GK	943NA19..AC
<b>fankit:</b>	S4E300-XX	1996589

<b>elkit:</b>	ELKOM NJ9232GK	943NA1104A
<b>condenser:</b>	3R14T	2451198
<b>valve_disch:</b>	SOLDER 1/2"	2110050

For additional accessories please contact our technical support

**ELECTRICAL DATA**

**Motor Type:** CSR -  
**Locked Rotor Amperage (RLA):** 43 A  
**Max.Current:** 8.12 A

At maximum evaporating temperature and maximum ambient temperature.

**FAN MOTOR**

**Number:** 1 -  
**Shaft Power:** 95 W  
**Air Flow:** 1450 m<sup>3</sup>/hod  
**Blade Diameter:** - mm

**PERFORMANCE CURVE DATA**

Standard: EN13215-RG20 / return gas 20°C, subcooling 3K

50 Hz

	Evaporating Temperature (°C)	Cooling Capacity (W)	Power Consumption (W)	Current Consumption (A)	Efficiency (W/W)
<b>25°C</b> Ambient Temperature	10°C	4 156	1 775	8.28	2.34
	5°C	3 634	1 624	7.63	2.24
	0°C	3 146	1 484	7.02	2.12
	-5°C	2 695	1 355	6.45	1.99
	Rated point -10°C	2 280	1 237	5.92	1.84
	-15°C	1 904	1 129	5.43	1.69
	-20°C	1 566	1 031	4.98	1.52
<b>32°C</b> Ambient Temperature	10°C	3 688	1 820	8.49	2.03
	5°C	3 255	1 667	7.81	1.95
	0°C	2 845	1 523	7.17	1.87
	-5°C	2 458	1 390	6.57	1.77
	Rated point -10°C	2 096	1 266	6.02	1.66
	-15°C	1 760	1 152	5.51	1.53
	-20°C	1 450	1 046	5.04	1.39
<b>43°C</b> Ambient Temperature	5°C	2 538	1 758	8.24	1.44
	0°C	2 238	1 605	7.54	1.39
	-5°C	1 942	1 461	6.88	1.33
	Rated point -10°C	1 651	1 324	6.27	1.25
	-15°C	1 366	1 196	5.70	1.14
	-20°C	1 088	1 074	5.18	1.01