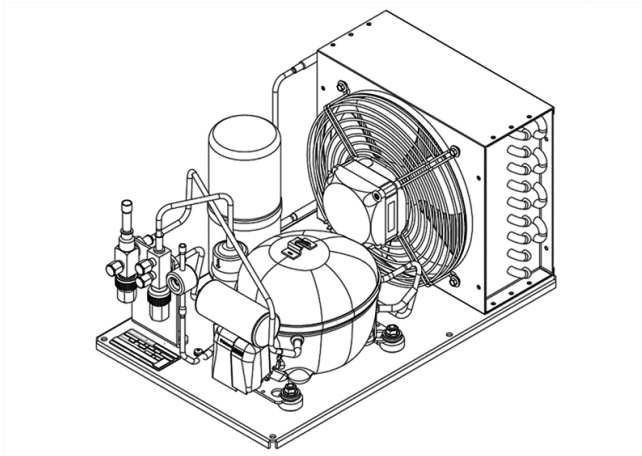


UEMT6165GK



CE



ENGINEERING CODE
592GAL612AA

REFRIGERANT
R-404A

POWER SUPPLY
220-240 V 50 Hz

APPLICATION
HBP

MOTOR TYPE
CSIR

STANDARD
EN13215_RG20

COOLING CAPACITY
497 W

EFFICIENCY
1.64 W/W

DATA

GENERAL DATA

Model	UEMT6165GK
-------	------------

ELECTRICAL DATA

Locked Rotor Amperage (LRA)	10.40 A
-----------------------------	---------

Rated Load Amperage (RLA)	2.32 A
---------------------------	--------

Maximum Overcurrent Protection (MOP)	5.22 A
--------------------------------------	--------

Minimum Current Ampacity (MCA)	2.9 A
--------------------------------	-------

ACCESSORIES

Dryer	FILTER DRYER 6MM ODF	2730006
-------	----------------------	---------

Sightglass	SIGHT GLASS 6MM ODF	2464031
------------	---------------------	---------

Discharge valve	SOLDER 1/4"	2110086
-----------------	-------------	---------

Suction valve	SOLDER 3/8"	2110060
---------------	-------------	---------

CONDENSING COMPONENTS

Compressor	EMT6165GK	M/HBP
------------	-----------	-------

Condenser	3R9T	2451205
-----------	------	---------

Refrigerant	R-404A
-------------	--------

Expansion Device	C-V
------------------	-----

Fan Blade Diameter	230 mm
--------------------	--------

Fankit	10W 230/31/5B	1996580
--------	---------------	---------

MECHANICAL DATA

Air Flow	420 m ³ /h
Height	254 mm
Receiver	1.1 L
Shaft Power	10 W
Weight	17 Kg
Width	302 mm
Length	480 mm

PERFORMANCE

TESTED CONDITIONS

Tested Refrigerant	R-404A
Tested Application	HBP
Tested Standard	EN13215_RG20

RATED POINTS

Ambient Temperature °C	Evaporating Temperature °C	Cooling Capacity W	Efficiency W/W	Consumo de Potencia W
32	-10	497	1.64	303

Test Condition: Subcooling 3 K, Return Gas 20 °C.

PERFORMANCE CURVE

Ambient Temperature 25°C

Evaporating Temperature °C	Cooling Capacity W	Efficiency W/W	Consumo de Potencia W
-20	374	1.50	249
-15	452	1.66	272
-5	650	2.06	316
0	755	2.20	343
5	855	2.26	378
10	943	2.23	423

Test Condition: Subcooling 3 K, Return Gas 20 °C.

PERFORMANCE CURVE

Ambient Temperature 32°C

Evaporating Temperature °C	Cooling Capacity W	Efficiency W/W	Consumo de Potencia W
-20	340	1.33	256
-15	410	1.46	280
-5	592	1.81	327
0	688	1.94	354
5	778	2.00	390
10	856	1.97	435

Test Condition: Subcooling 3 K, Return Gas 20 °C.

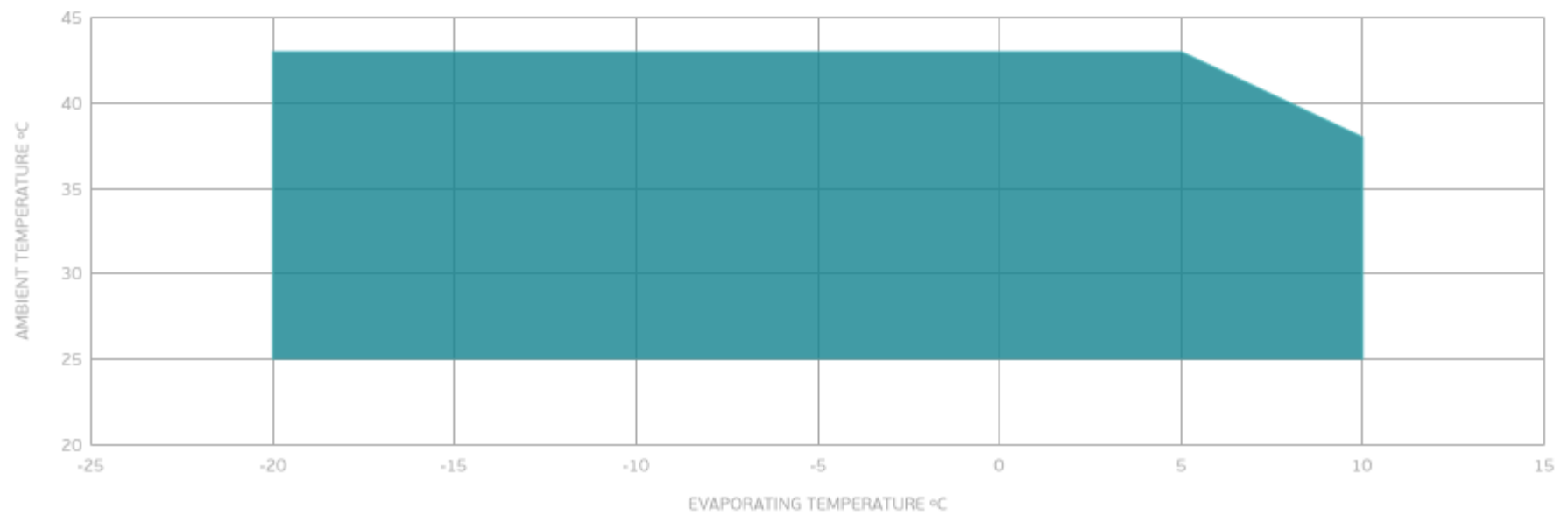
PERFORMANCE CURVE

Ambient Temperature 43°C

Evaporating Temperature °C	Cooling Capacity W	Efficiency W/W	Consumo de Potencia W
-20	288	1.00	287
-15	351	1.11	316
-5	514	1.39	370
0	599	1.49	402
5	678	1.54	441

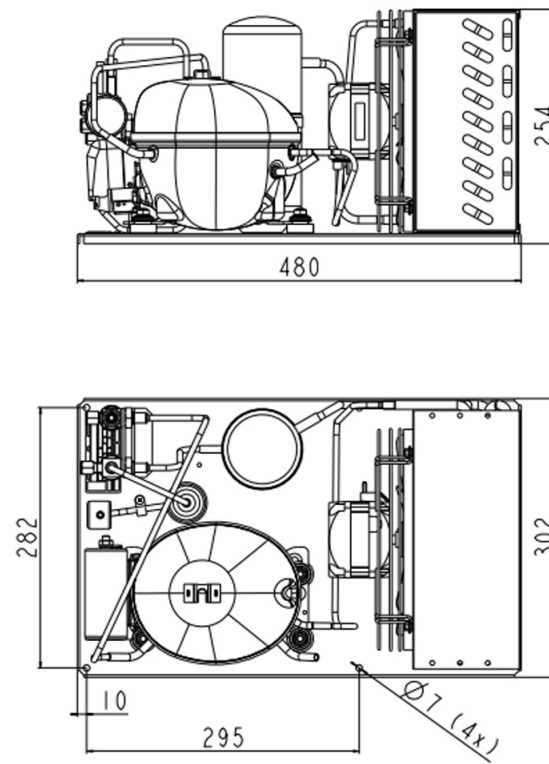
Test Condition: Subcooling 3 K, Return Gas 20 °C.

ENVELOPE



■ OPERATING CONDITION

EXTERNAL DIMENSIONS



WIRING DIAGRAM

