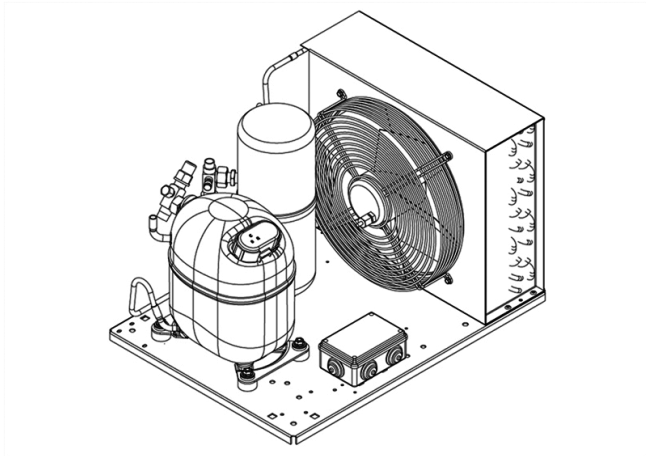


UNJ9232GS



ENGINEERING CODE
647NM5603AA



REFRIGERANT
R-404A



POWER SUPPLY
380-420 V 50 Hz



APPLICATION
HBP



MOTOR TYPE
3PH



STANDARD
EN13215_RG20



COOLING CAPACITY
2146 W



EFFICIENCY
1.81 W/W

CE

ECODESIGN
COMPLIANT

DATA

GENERAL DATA

Model UNJ9232GS

ELECTRICAL DATA

Locked Rotor Amperage (LRA) 13.00 A

Rated Load Amperage (RLA) 3.35 A

Maximum Overcurrent Protection (MOP) 7.54 A

Minimum Current Ampacity (MCA) 4.2 A

ACCESSORIES

Discharge valve SOLDER 1/2" 2110050

Suction valve SOLDER 5/8" 2110054

CONDENSING COMPONENTS

Compressor NJ9232GS M/HBP

Condenser 3R14T 2451198

Refrigerant R-404A

Expansion Device C-V

Fan Blade Diameter null mm

Fankit S4E300-XX 1996590

MECHANICAL DATA

Air Flow	1450 m ³ /h
Height	372 mm
Shaft Power	60 W
Weight	44 Kg
Width	440 mm
Length	600 mm

PERFORMANCE

TESTED CONDITIONS

Tested Refrigerant	R-404A
Tested Application	HBP
Tested Standard	EN13215_RG20

RATED POINTS

Ambient Temperature °C	Evaporating Temperature °C	Cooling Capacity W	Efficiency W/W	Consumo de Potencia W
32	-10	2146	1.81	1187

Test Condition: Subcooling 3 K, Return Gas 20 °C.

PERFORMANCE CURVE

Ambient Temperature 25°C

Evaporating Temperature °C	Cooling Capacity W	Efficiency W/W	Consumo de Potencia W
-20	1534	1.67	916
-15	1953	1.90	1031
-5	2805	2.18	1288
0	3301	2.30	1436
5	3887	2.43	1603
10	4593	2.57	1790

Test Condition: Subcooling 3 K, Return Gas 20 °C.

PERFORMANCE CURVE

Ambient Temperature 32°C

Evaporating Temperature °C	Cooling Capacity W	Efficiency W/W	Consumo de Potencia W
-20	1403	1.48	946
-15	1777	1.67	1062
-5	2539	1.92	1325
0	2989	2.02	1479
5	3527	2.14	1652
10	4186	2.27	1847

Test Condition: Subcooling 3 K, Return Gas 20 °C.

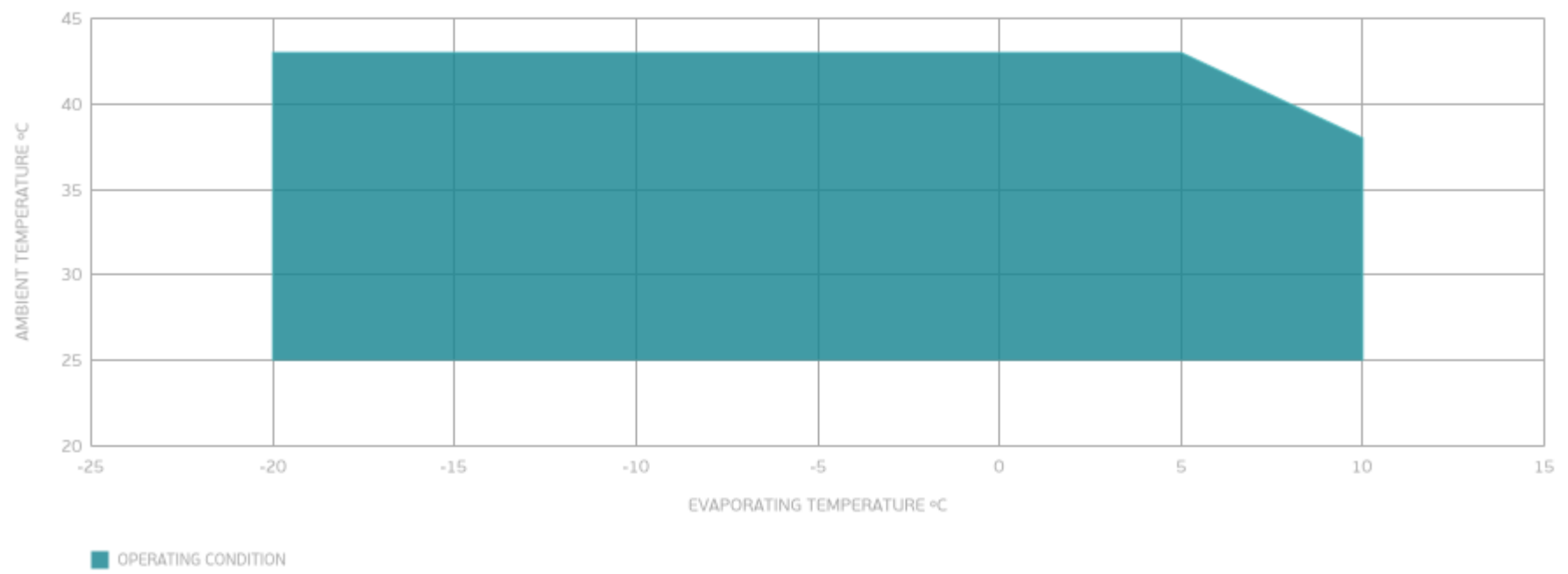
PERFORMANCE CURVE

Ambient Temperature 43°C

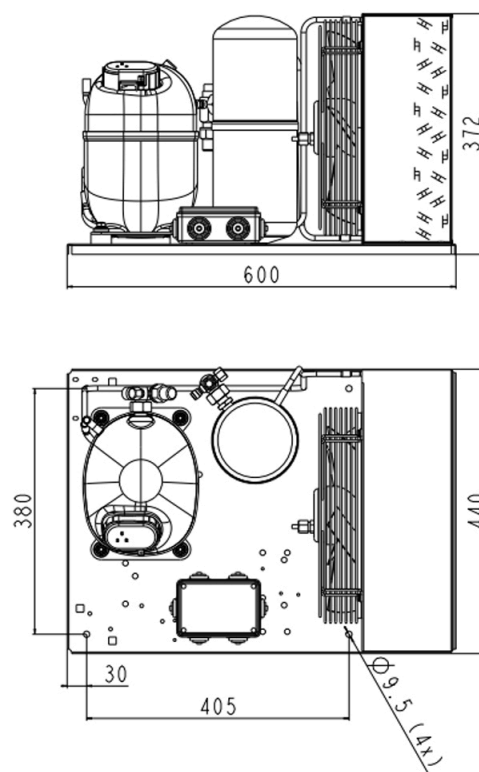
Evaporating Temperature °C	Cooling Capacity W	Efficiency W/W	Consumo de Potencia W
-20	1187	1.18	1002
-15	1510	1.34	1124
-5	2164	1.54	1406
0	2559	1.63	1573
5	3041	1.73	1761

Test Condition: Subcooling 3 K, Return Gas 20 °C.

ENVELOPE



EXTERNAL DIMENSIONS



WIRING DIAGRAM

