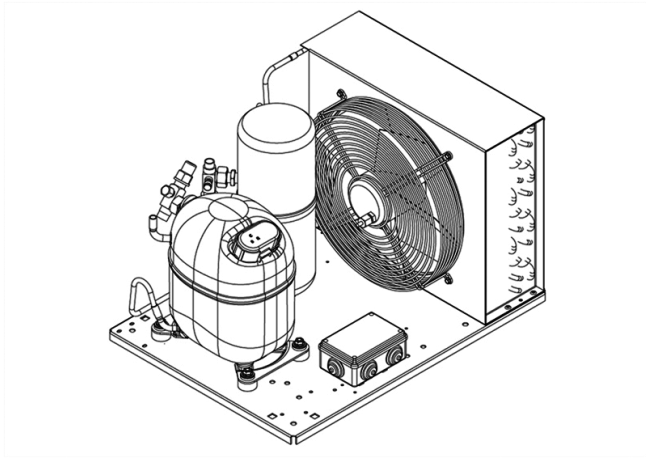


UNJ9232GS



ENGINEERING CODE
647NM5603AA

POWER SUPPLY
380-420 V 50 Hz

MOTOR TYPE
3PH

REFRIGERANT
R-449A

APPLICATION
HBP

STANDARD
EN13215_RG20

COOLING CAPACITY
1946 W

EFFICIENCY
1.82 W/W

CE

ECODSIGN
COMPLIANT

DATA

GENERAL DATA

Model UNJ9232GS

ELECTRICAL DATA

Locked Rotor Amperage (LRA) 13.00 A

Rated Load Amperage (RLA) 3.35 A

Maximum Overcurrent Protection (MOP) 7.54 A

Minimum Current Ampacity (MCA) 4.2 A

ACCESSORIES

Discharge valve SOLDER 1/2" 2110050

Suction valve SOLDER 5/8" 2110054

CONDENSING COMPONENTS

Compressor NJ9232GS M/HBP

Condenser 3R14T 2451198

Refrigerant R-404A

Expansion Device C-V

Fan Blade Diameter null mm

Fankit S4E300-XX 1996590

MECHANICAL DATA

Air Flow	1450 m ³ /h
Height	372 mm
Shaft Power	60 W
Weight	44 Kg
Width	440 mm
Length	600 mm

PERFORMANCE

TESTED CONDITIONS

Tested Refrigerant	R-449A
Tested Application	HBP
Tested Standard	EN13215_RG20

RATED POINTS

Ambient Temperature °C	Evaporating Temperature °C	Cooling Capacity W	Efficiency W/W	Consumo de Potencia W
32	-10	1946	1.82	1069

Test Condition: Subcooling 3 K, Return Gas 20 °C.

PERFORMANCE CURVE

Ambient Temperature 25°C

Evaporating Temperature °C	Cooling Capacity W	Efficiency W/W	Consumo de Potencia W
-15	1695	1.85	917
-5	2595	2.24	1159
0	3139	2.42	1298

Test Condition: Subcooling 3 K, Return Gas 20 °C.

PERFORMANCE CURVE

Ambient Temperature 32°C

Evaporating Temperature °C	Cooling Capacity W	Efficiency W/W	Consumo de Potencia W
-15	1559	1.64	950
-5	2374	1.98	1199
0	2879	2.14	1347

Test Condition: Subcooling 3 K, Return Gas 20 °C.

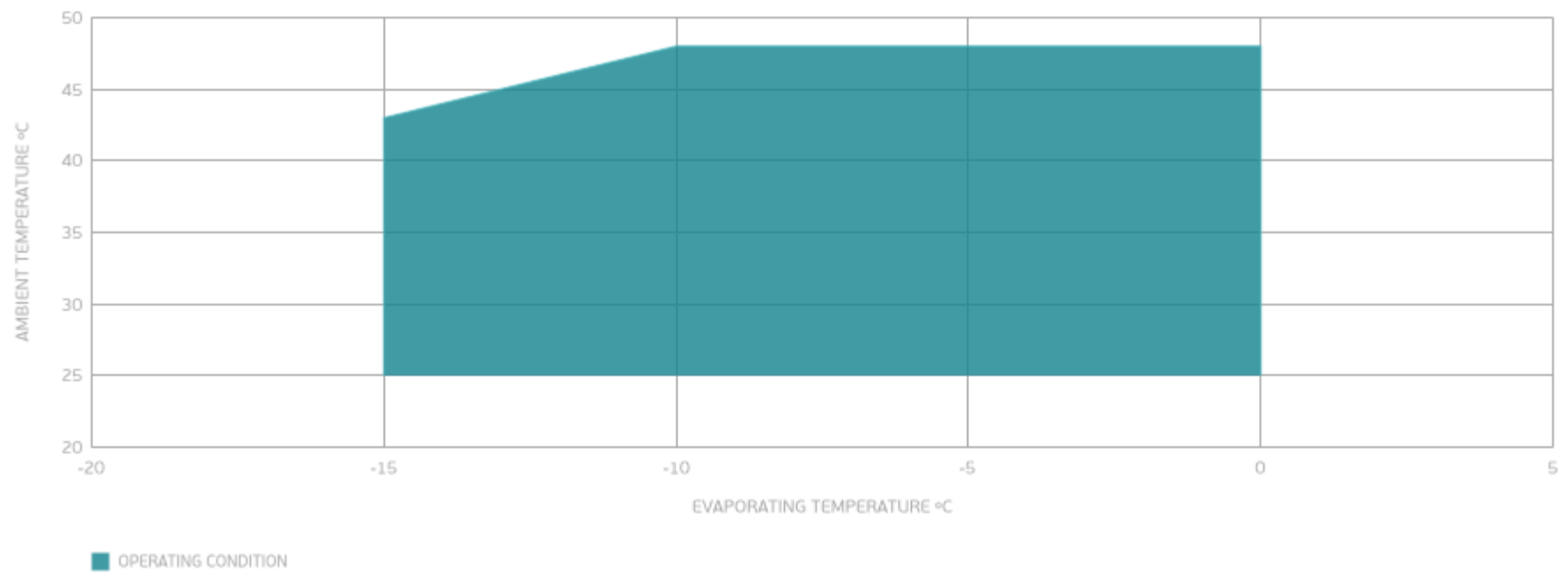
PERFORMANCE CURVE

Ambient Temperature 43°C

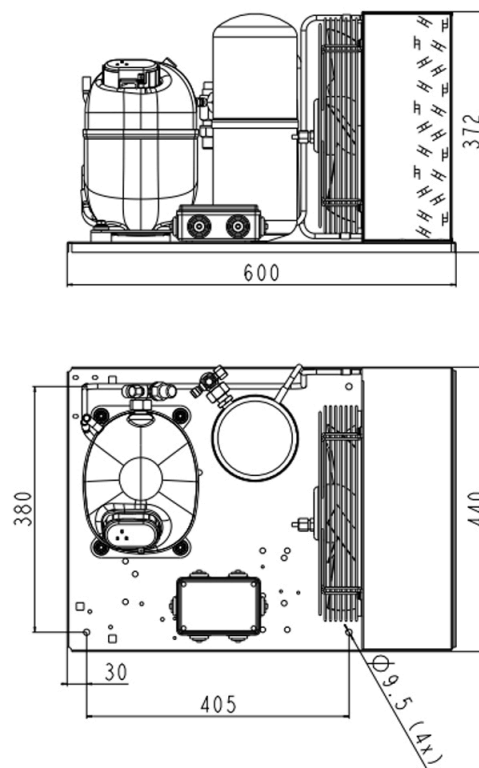
Evaporating Temperature °C	Cooling Capacity W	Efficiency W/W	Consumo de Potencia W
-15	1342	1.33	1008
-5	2060	1.61	1281
0	2522	1.74	1449

Test Condition: Subcooling 3 K, Return Gas 20 °C.

ENVELOPE



EXTERNAL DIMENSIONS



WIRING DIAGRAM

