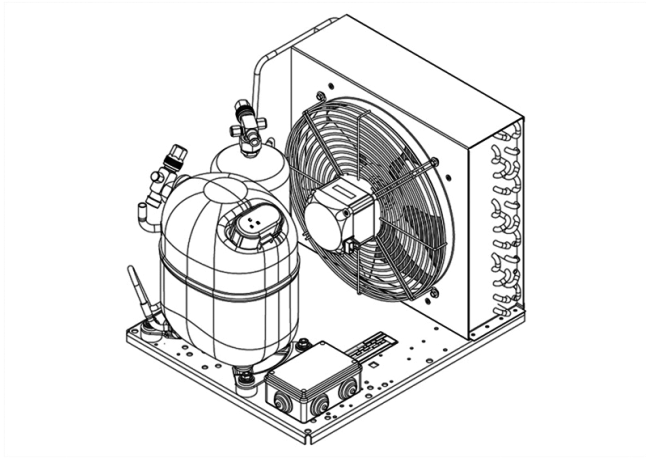


UNJ9226GS



ENGINEERING CODE
648LM5603AA

REFRIGERANT
R-449A

POWER SUPPLY
380-420 V 50 Hz

APPLICATION
HBP

MOTOR TYPE
3PH

STANDARD
EN13215_RG20

COOLING CAPACITY
1544 W

EFFICIENCY
1.73 W/W

CE

ECODESIGN COMPLIANT

DATA

GENERAL DATA

Model UNJ9226GS

ELECTRICAL DATA

Locked Rotor Amperage (LRA) 10.00 A

Rated Load Amperage (RLA) 2.78 A

Maximum Overcurrent Protection (MOP) 6.25 A

Minimum Current Ampacity (MCA) 3.5 A

ACCESSORIES

Discharge valve SOLDER 3/8" 2110049

Suction valve SOLDER 5/8" 2110054

CONDENSING COMPONENTS

Compressor NJ9226GS M/HBP

Condenser 3R14T 2451221

Refrigerant R-404A

Expansion Device C-V

Fan Blade Diameter 300 mm

Fankit 34W/400V 300/28/5B 1996586

MECHANICAL DATA

| | |
|-------------|-----------------------|
| Air Flow | 700 m ³ /h |
| Height | 372 mm |
| Receiver | 2.3 L |
| Shaft Power | 34 W |
| Weight | 37 Kg |
| Width | 410 mm |
| Length | 481 mm |

PERFORMANCE

TESTED CONDITIONS

| | |
|--------------------|--------------|
| Tested Refrigerant | R-449A |
| Tested Application | HBP |
| Tested Standard | EN13215_RG20 |

RATED POINTS

| Ambient Temperature °C | Evaporating Temperature °C | Cooling Capacity W | Efficiency W/W | Consumo de Potencia W |
|------------------------|----------------------------|--------------------|----------------|-----------------------|
| 32 | -10 | 1544 | 1.73 | 894 |

Test Condition: Subcooling 3 K, Return Gas 20 °C.

PERFORMANCE CURVE

Ambient Temperature 25°C

| Evaporating Temperature °C | Cooling Capacity W | Efficiency W/W | Consumo de Potencia W |
|----------------------------|--------------------|----------------|-----------------------|
| -15 | 1445 | 1.88 | 770 |
| -5 | 2136 | 2.20 | 971 |
| 0 | 2498 | 2.32 | 1076 |

Test Condition: Subcooling 3 K, Return Gas 20 °C.

PERFORMANCE CURVE

Ambient Temperature 32°C

| Evaporating Temperature °C | Cooling Capacity W | Efficiency W/W | Consumo de Potencia W |
|----------------------------|--------------------|----------------|-----------------------|
| -15 | 1257 | 1.56 | 804 |
| -5 | 1864 | 1.87 | 998 |
| 0 | 2219 | 1.98 | 1120 |

Test Condition: Subcooling 3 K, Return Gas 20 °C.

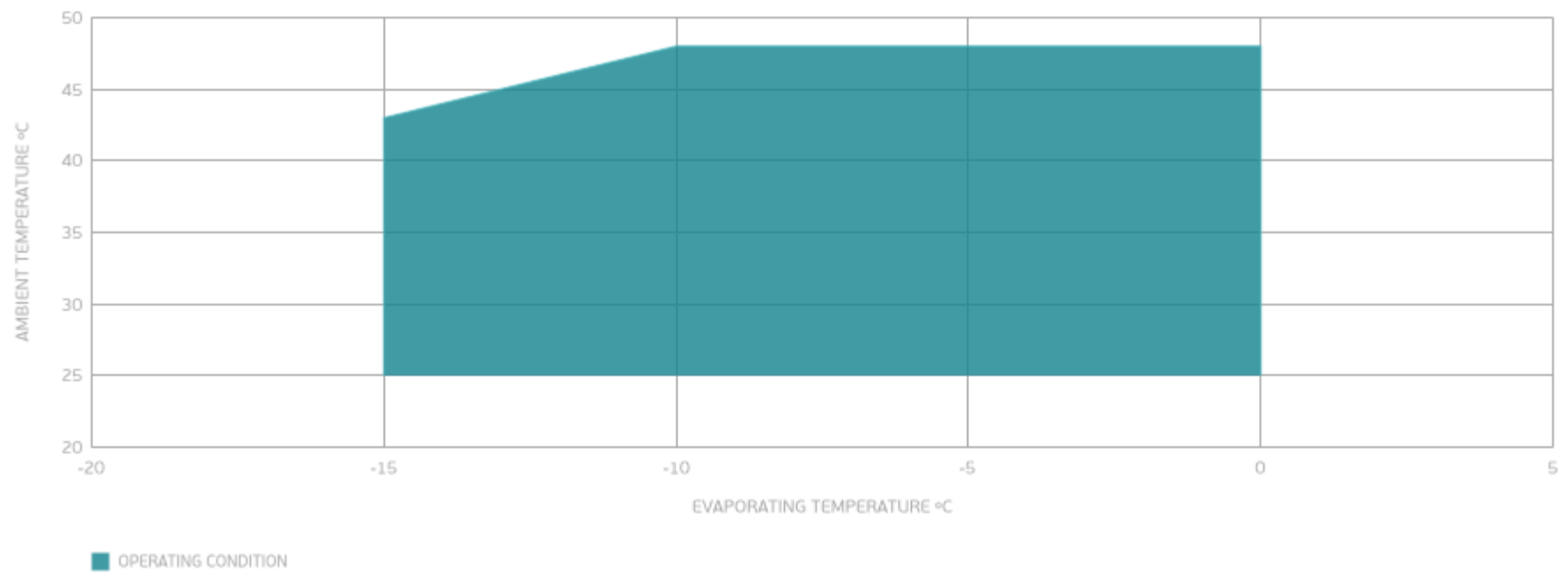
PERFORMANCE CURVE

Ambient Temperature 43°C

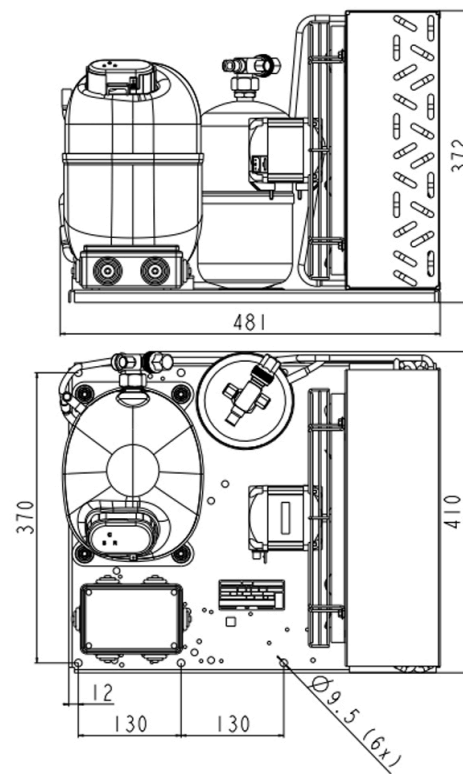
| Evaporating Temperature °C | Cooling Capacity W | Efficiency W/W | Consumo de Potencia W |
|----------------------------|--------------------|----------------|-----------------------|
| -15 | 988 | 1.17 | 844 |
| -5 | 1620 | 1.51 | 1073 |
| 0 | 2044 | 1.64 | 1246 |

Test Condition: Subcooling 3 K, Return Gas 20 °C.

ENVELOPE



EXTERNAL DIMENSIONS



WIRING DIAGRAM

