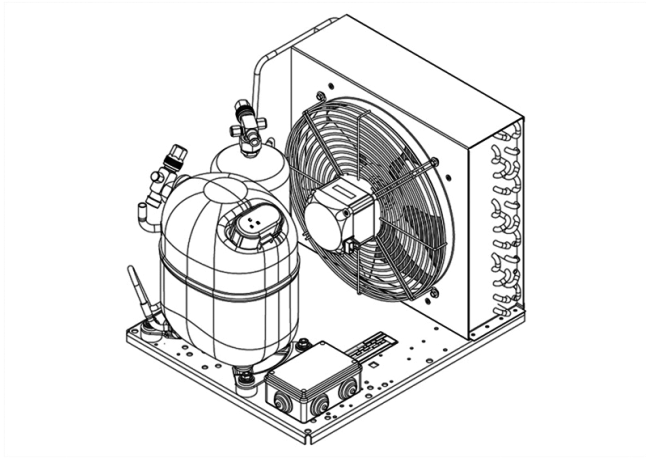


UNJ9226GS



**ENGINEERING CODE**  
648LM5603AA

**REFRIGERANT**  
R-452A

**POWER SUPPLY**  
380-420 V 50 Hz

**APPLICATION**  
HBP

**MOTOR TYPE**  
3PH

**STANDARD**  
EN13215\_RG20

**COOLING CAPACITY**  
1665 W

**EFFICIENCY**  
1.7 W/W

CE

ECODESIGN  
COMPLIANT

DATA

GENERAL DATA

**Model** UNJ9226GS

ELECTRICAL DATA

**Locked Rotor Amperage (LRA)** 10.00 A

**Rated Load Amperage (RLA)** 2.78 A

**Maximum Overcurrent Protection (MOP)** 6.25 A

**Minimum Current Ampacity (MCA)** 3.5 A

ACCESSORIES

**Discharge valve** SOLDER 3/8" 2110049

**Suction valve** SOLDER 5/8" 2110054

CONDENSING COMPONENTS

**Compressor** NJ9226GS M/HBP

**Condenser** 3R14T 2451221

**Refrigerant** R-404A

**Expansion Device** C-V

**Fan Blade Diameter** 300 mm

**Fankit** 34W/400V 300/28/5B 1996586

## MECHANICAL DATA

Air Flow	700 m <sup>3</sup> /h
Height	372 mm
Receiver	2.3 L
Shaft Power	34 W
Weight	37 Kg
Width	410 mm
Length	481 mm

## PERFORMANCE

### TESTED CONDITIONS

Tested Refrigerant	R-452A
Tested Application	HBP
Tested Standard	EN13215_RG20

### RATED POINTS

Ambient Temperature °C	Evaporating Temperature °C	Cooling Capacity W	Efficiency W/W	Consumo de Potencia W
32	-10	1665	1.7	981

Test Condition: Subcooling 3 K, Return Gas 20 °C.

### PERFORMANCE CURVE

Ambient Temperature 25°C

Evaporating Temperature °C	Cooling Capacity W	Efficiency W/W	Consumo de Potencia W
-20	1353	1.81	747
-15	1697	1.99	851
-5	2339	2.19	1067
0	2645	2.24	1182
5	2943	2.26	1304
10	3238	2.26	1433

Test Condition: Subcooling 3 K, Return Gas 20 °C.

**PERFORMANCE CURVE**

Ambient Temperature 32°C

Evaporating Temperature °C	Cooling Capacity W	Efficiency W/W	Consumo de Potencia W
-20	1106	1.38	804
-15	1380	1.56	885
-5	1963	1.79	1094
0	2279	1.86	1225
5	2615	1.90	1374
10	2974	1.93	1545

Test Condition: Subcooling 3 K, Return Gas 20 °C.

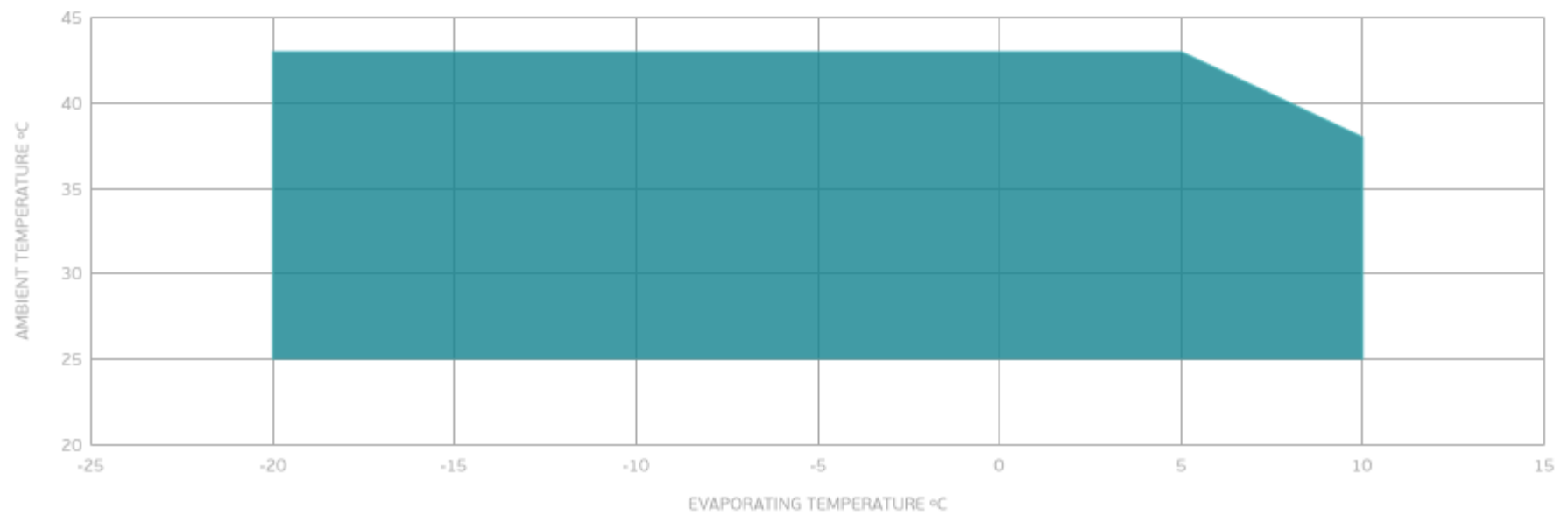
**PERFORMANCE CURVE**

Ambient Temperature 43°C

Evaporating Temperature °C	Cooling Capacity W	Efficiency W/W	Consumo de Potencia W
-20	851	1.00	851
-15	1071	1.17	917
-5	1672	1.45	1155
0	2061	1.55	1330
5	2511	1.63	1544

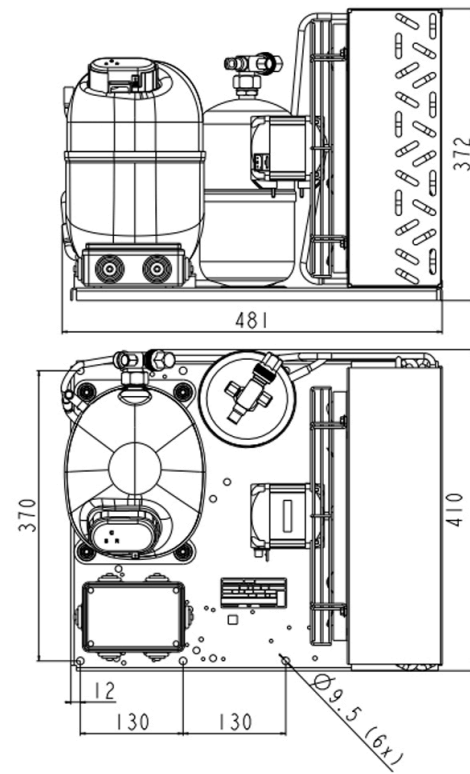
Test Condition: Subcooling 3 K, Return Gas 20 °C.

**ENVELOPE**



■ OPERATING CONDITION

## EXTERNAL DIMENSIONS



## WIRING DIAGRAM

