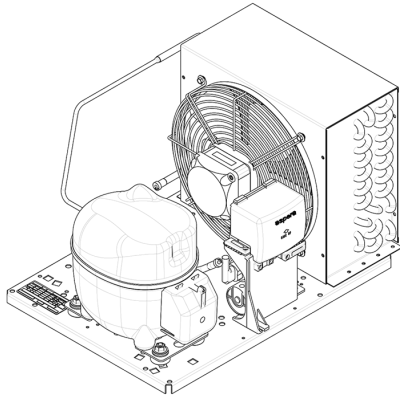


UNEK2168GK



ENGINEERING CODE
559FA5304AA



REFRIGERANT
R-404A



POWER SUPPLY
220-240 V 50 Hz



APPLICATION
LBP



MOTOR TYPE
CSR



STANDARD
EN13215_RG20



COOLING CAPACITY
415 W



EFFICIENCY
0.95 W/W

CE

ECODESIGN
COMPLIANT

DATA

GENERAL DATA

Model UNEK2168GK

ELECTRICAL DATA

Locked Rotor Amperage (LRA) 18.50 A

Rated Load Amperage (RLA) 4.20 A

Maximum Overcurrent Protection (MOP) 9.45 A

Minimum Current Ampacity (MCA) 5.3 A

CONDENSING COMPONENTS

Compressor	NEK2168GK	LBP
Condenser	4R11T	2451217
Refrigerant	R-404A	
Expansion Device	C-V	
Fan Blade Diameter	254 mm	
Fankit	16W 254/28/5B	1996609

MECHANICAL DATA

Air Flow	460 m ³ /h
Height	296 mm
Shaft Power	16 W
Weight	22 Kg
Width	340 mm
Length	499 mm

PERFORMANCE

TESTED CONDITIONS

Tested Refrigerant	R-404A
Tested Application	LBP
Tested Standard	EN13215_RG20

RATED POINTS

Ambient Temperature °C	Evaporating Temperature °C	Cooling Capacity W	Efficiency W/W	Consumo de Potencia W
32	-35	415	0.95	435

Test Condition: Subcooling 3 K, Return Gas 20 °C.

PERFORMANCE CURVE

Ambient Temperature 25°C

Evaporating Temperature °C	Cooling Capacity W	Efficiency W/W	Consumo de Potencia W
-40	391	0.99	396
-30	594	1.23	482
-25	747	1.41	530
-20	923	1.59	582
-15	1114	1.74	640
-10	1312	1.86	706

Test Condition: Subcooling 3 K, Return Gas 20 °C.

PERFORMANCE CURVE

Ambient Temperature 32°C

Evaporating Temperature °C	Cooling Capacity W	Efficiency W/W	Consumo de Potencia W
-40	349	0.90	387
-30	520	1.07	487
-25	658	1.22	541
-20	819	1.36	601
-15	996	1.49	666
-10	1179	1.59	739

Test Condition: Subcooling 3 K, Return Gas 20 °C.

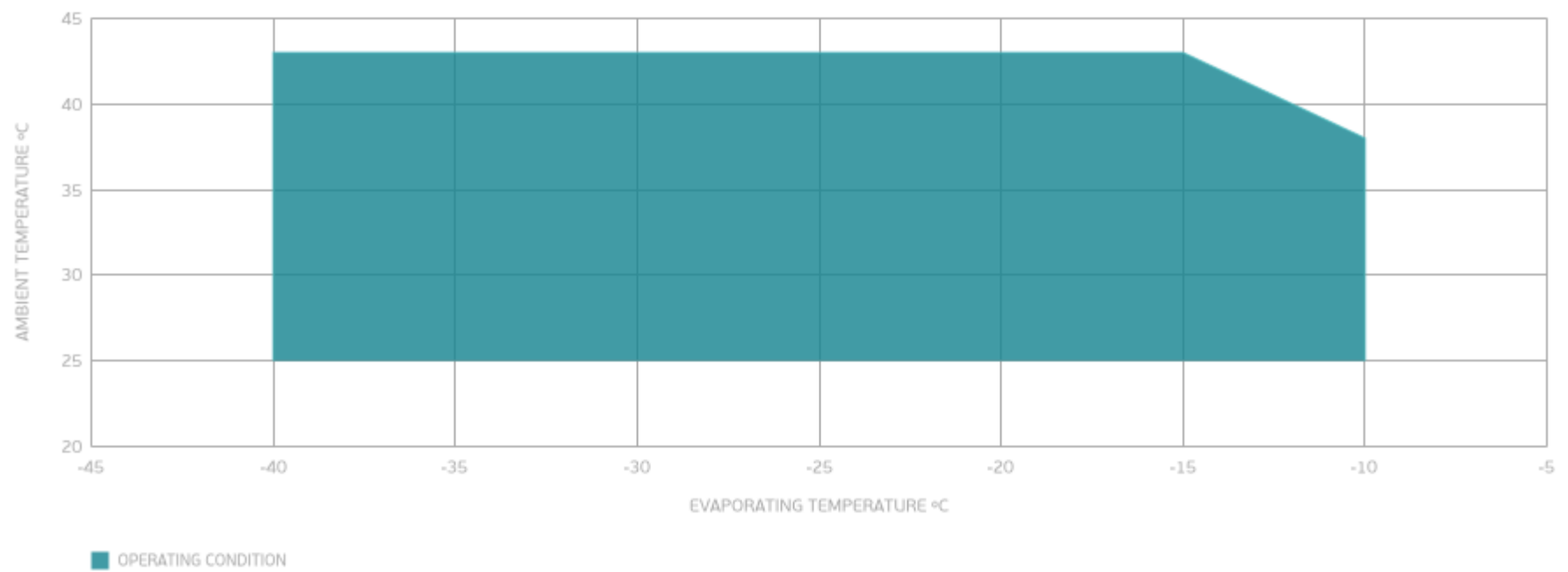
PERFORMANCE CURVE

Ambient Temperature 43°C

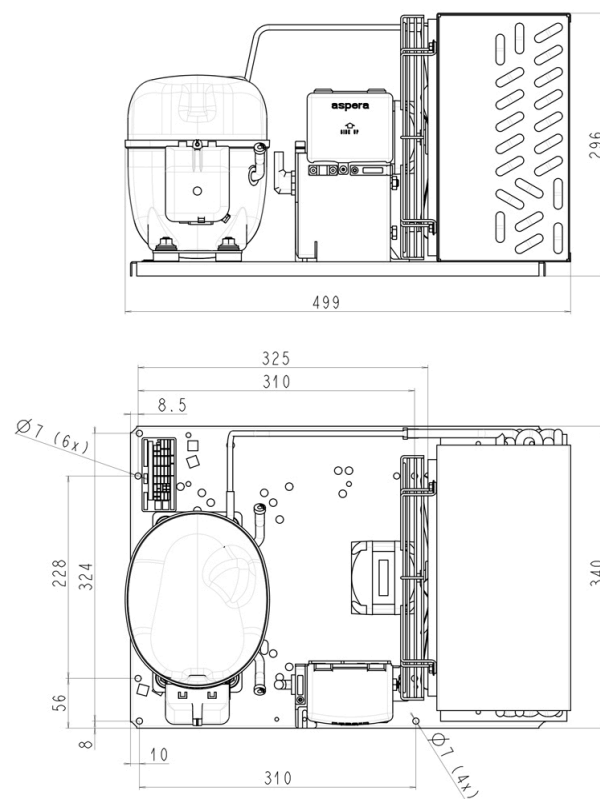
Evaporating Temperature °C	Cooling Capacity W	Efficiency W/W	Consumo de Potencia W
-40	319	0.81	393
-30	430	0.85	505
-25	539	0.95	567
-20	672	1.06	633
-15	820	1.16	706

Test Condition: Subcooling 3 K, Return Gas 20 °C.

ENVELOPE



EXTERNAL DIMENSIONS



WIRING DIAGRAM

