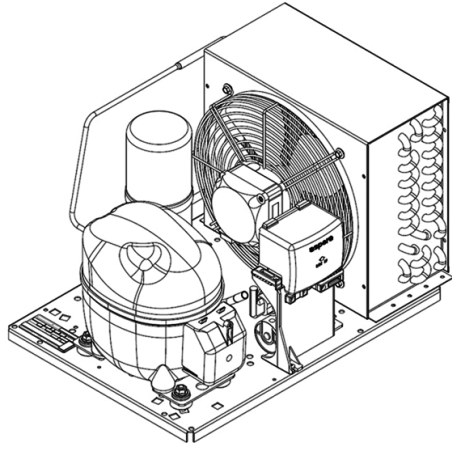


UNEK2168GK



**ENGINEERING CODE**  
559FA5404AA



**REFRIGERANT**  
R-452A



**POWER SUPPLY**  
220-240 V 50 Hz



**APPLICATION**  
LBP



**MOTOR TYPE**  
CSR



**STANDARD**  
EN13215\_RG20

CE

ECODESIGN  
COMPLIANT



**COOLING CAPACITY**  
372 W



**EFFICIENCY**  
0.89 W/W

DATA

GENERAL DATA

**Model** UNEK2168GK

ELECTRICAL DATA

**Locked Rotor Amperage (LRA)** 18.50 A

**Rated Load Amperage (RLA)** 4.20 A

**Maximum Overcurrent Protection (MOP)** 9.45 A

**Minimum Current Ampacity (MCA)** 5.3 A

CONDENSING COMPONENTS

<b>Compressor</b>	NEK2168GK	LBP
<b>Condenser</b>	4R11T	2451217
<b>Refrigerant</b>	R-404A	
<b>Expansion Device</b>	C-V	
<b>Fan Blade Diameter</b>	254 mm	
<b>Fankit</b>	16W 254/28/5B	1996609

## MECHANICAL DATA

Air Flow	460 m <sup>3</sup> /h
Height	296 mm
Receiver	1.1 L
Shaft Power	16 W
Weight	24 Kg
Width	340 mm
Length	499 mm

## PERFORMANCE

### TESTED CONDITIONS

Tested Refrigerant	R-452A
Tested Application	LBP
Tested Standard	EN13215_RG20

### RATED POINTS

Ambient Temperature °C	Evaporating Temperature °C	Cooling Capacity W	Efficiency W/W	Consumo de Potencia W
32	-35	372	0.89	418

Test Condition: Subcooling 3 K, Return Gas 20 °C.

### PERFORMANCE CURVE

Ambient Temperature 25°C

Evaporating Temperature °C	Cooling Capacity W	Efficiency W/W	Consumo de Potencia W
-40	349	0.85	410
-30	554	1.12	493
-25	711	1.31	541
-20	894	1.51	593
-15	1098	1.68	652
-10	1314	1.83	718

Test Condition: Subcooling 3 K, Return Gas 20 °C.

**PERFORMANCE CURVE**

Ambient Temperature 32°C

Evaporating Temperature °C	Cooling Capacity W	Efficiency W/W	Consumo de Potencia W
-40	304	0.82	372
-30	479	1.02	467
-25	619	1.19	521
-20	785	1.35	580
-15	971	1.50	646
-10	1168	1.63	718

Test Condition: Subcooling 3 K, Return Gas 20 °C.

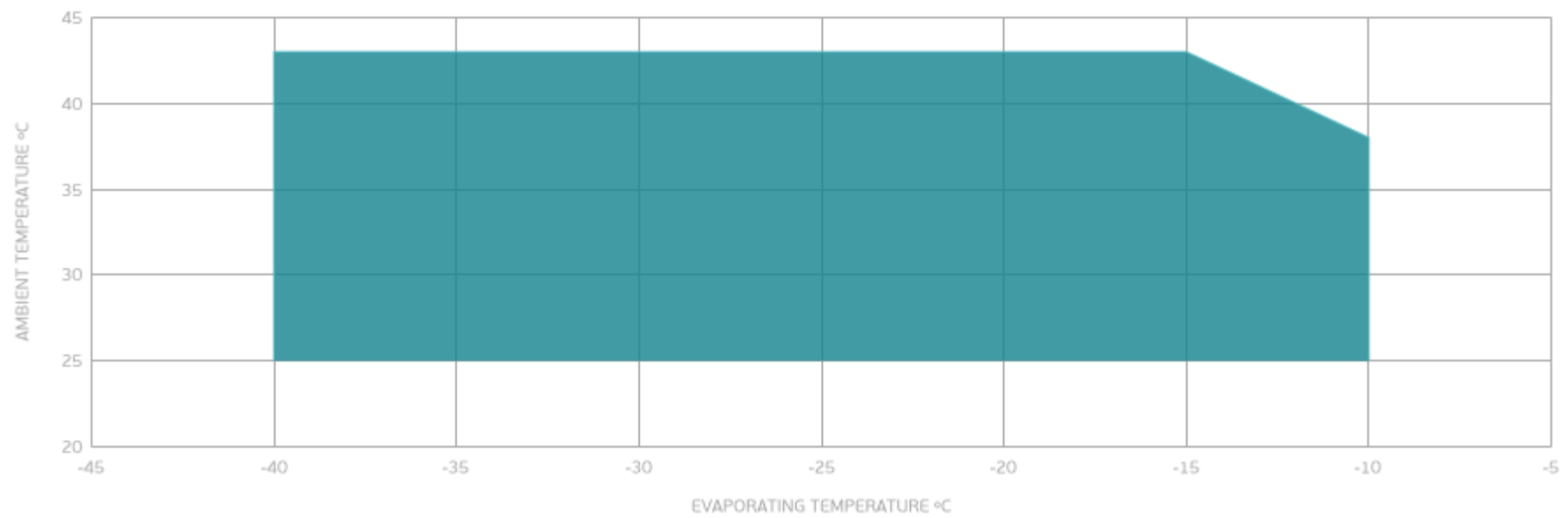
**PERFORMANCE CURVE**

Ambient Temperature 43°C

Evaporating Temperature °C	Cooling Capacity W	Efficiency W/W	Consumo de Potencia W
-40	272	0.69	395
-30	387	0.76	509
-25	496	0.87	572
-20	630	0.98	640
-15	782	1.09	715

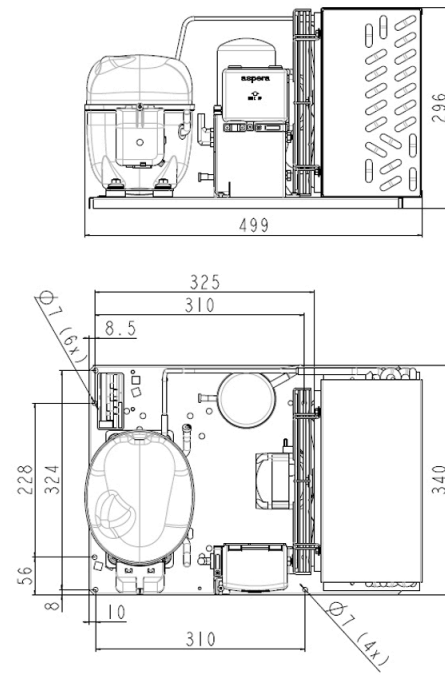
Test Condition: Subcooling 3 K, Return Gas 20 °C.

**ENVELOPE**



■ OPERATING CONDITION

## EXTERNAL DIMENSIONS



## WIRING DIAGRAM

