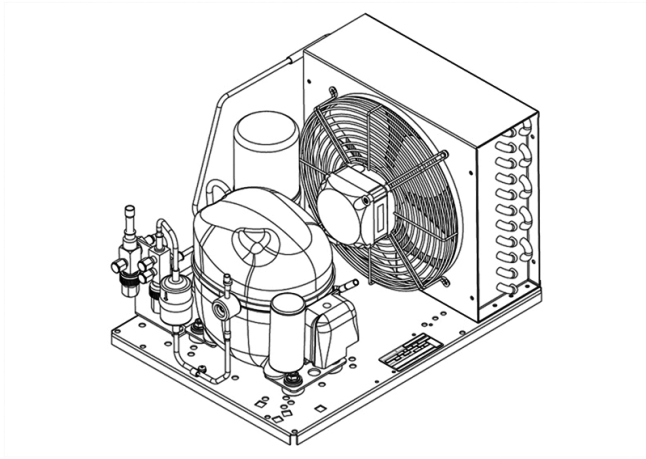


UNEK2134GK



**ENGINEERING CODE**  
558AAL612AA



**REFRIGERANT**  
R-404A



**POWER SUPPLY**  
220-240 V 50 Hz



**APPLICATION**  
LBP



**MOTOR TYPE**  
CSIR



**STANDARD**  
EN13215\_RG20



**COOLING CAPACITY**  
261 W



**EFFICIENCY**  
0.86 W/W

CE

ECODESIGN  
COMPLIANT

DATA

GENERAL DATA

**Model** UNEK2134GK

ELECTRICAL DATA

**Locked Rotor Amperage (LRA)** 16.10 A

**Rated Load Amperage (RLA)** 2.77 A

**Maximum Overcurrent Protection (MOP)** 6.23 A

**Minimum Current Ampacity (MCA)** 3.5 A

ACCESSORIES

**Dryer** FILTER DRYER 6MM ODF 2730006

**Sightglass** SIGHT GLASS 6MM ODF 2464031

**Discharge valve** SOLDER 1/4" 2110086

**Suction valve** SOLDER 3/8" 2110060

CONDENSING COMPONENTS

**Compressor** NEK2134GK LBP

**Condenser** 3R11T 2451206

**Refrigerant** R-404A

**Expansion Device** C-V

**Fan Blade Diameter** 254 mm

**Fankit** 16W 254/28/5B 1996579

## MECHANICAL DATA

Air Flow	595 m <sup>3</sup> /h
Height	296 mm
Receiver	1.1 L
Shaft Power	16 W
Weight	21 Kg
Width	340 mm
Length	475 mm

## PERFORMANCE

### TESTED CONDITIONS

Tested Refrigerant	R-404A
Tested Application	LBP
Tested Standard	EN13215_RG20

### RATED POINTS

Ambient Temperature °C	Evaporating Temperature °C	Cooling Capacity W	Efficiency W/W	Consumo de Potencia W
32	-35	261	0.86	303

Test Condition: Subcooling 3 K, Return Gas 20 °C.

### PERFORMANCE CURVE

Ambient Temperature 25°C

Evaporating Temperature °C	Cooling Capacity W	Efficiency W/W	Consumo de Potencia W
-40	227	0.83	274
-30	378	1.15	329
-25	475	1.32	360
-20	586	1.49	393
-15	711	1.66	428
-10	849	1.83	465

Test Condition: Subcooling 3 K, Return Gas 20 °C.

**PERFORMANCE CURVE**

Ambient Temperature 32°C

Evaporating Temperature °C	Cooling Capacity W	Efficiency W/W	Consumo de Potencia W
-40	201	0.74	273
-30	335	1.00	335
-25	421	1.14	371
-20	521	1.28	408
-15	633	1.41	448
-10	758	1.55	490

Test Condition: Subcooling 3 K, Return Gas 20 °C.

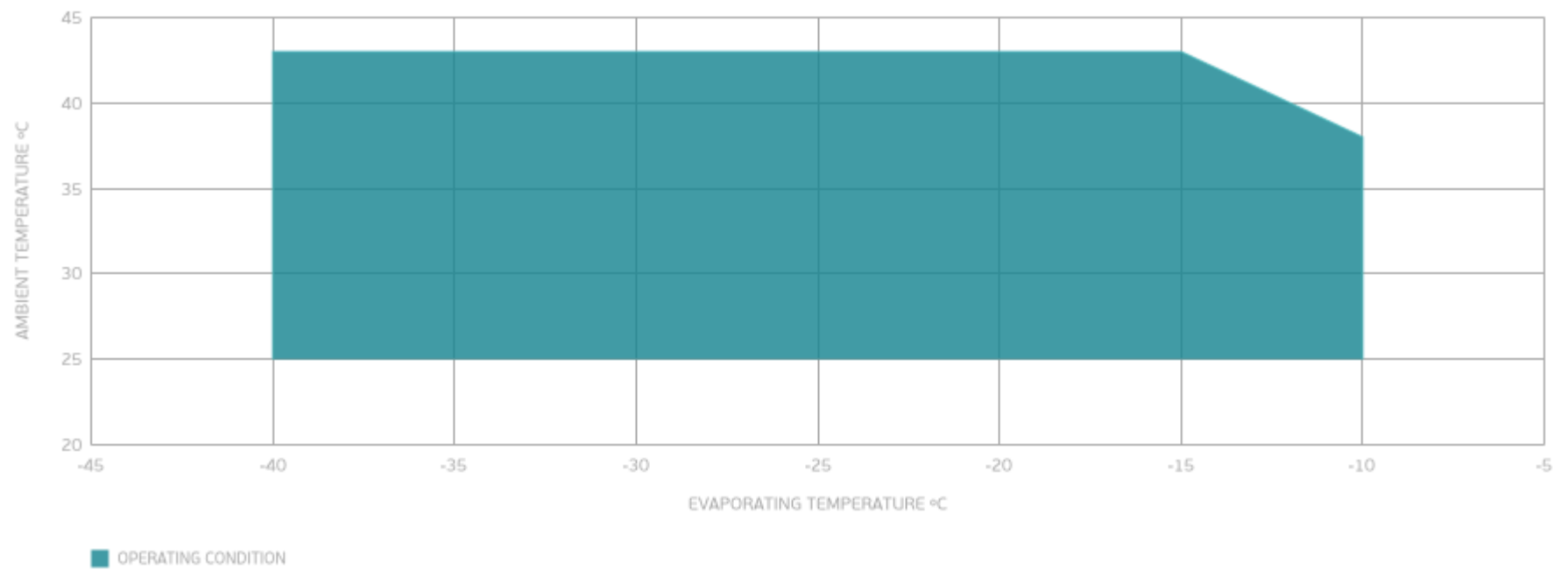
**PERFORMANCE CURVE**

Ambient Temperature 43°C

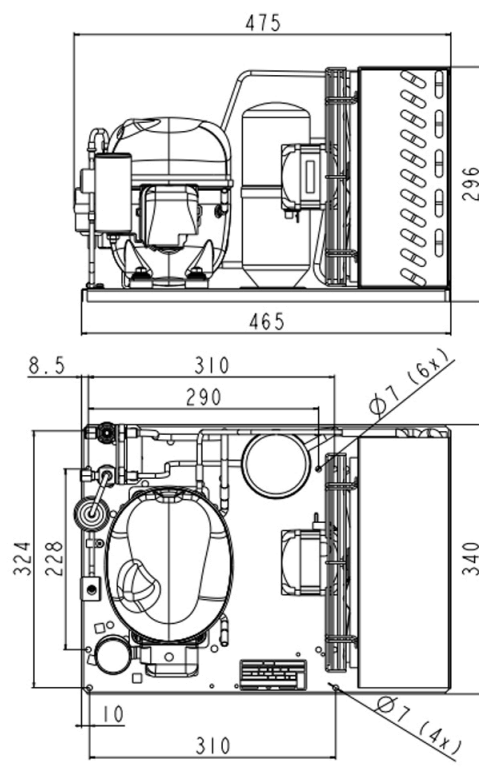
Evaporating Temperature °C	Cooling Capacity W	Efficiency W/W	Consumo de Potencia W
-40	152	0.56	274
-30	263	0.76	347
-25	336	0.87	387
-20	419	0.97	431
-15	514	1.08	477

Test Condition: Subcooling 3 K, Return Gas 20 °C.

**ENVELOPE**



## EXTERNAL DIMENSIONS



## WIRING DIAGRAM

