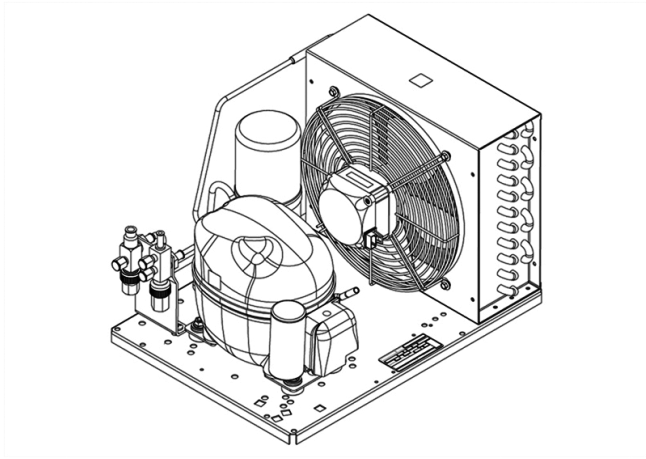


UNEK2150GK



**ENGINEERING CODE**  
559AA8212AA



**REFRIGERANT**  
R-404A



**POWER SUPPLY**  
220-240 V 50 Hz



**APPLICATION**  
LBP



**MOTOR TYPE**  
CSIR



**STANDARD**  
EN13215\_RG20



**COOLING CAPACITY**  
356 W



**EFFICIENCY**  
0.86 W/W

CE

ECODESIGN  
COMPLIANT

DATA

GENERAL DATA

Model UNEK2150GK

ELECTRICAL DATA

Locked Rotor Amperage (LRA) 19.50 A

Rated Load Amperage (RLA) 3.52 A

Maximum Overcurrent Protection (MOP) 7.92 A

Minimum Current Ampacity (MCA) 4.4 A

ACCESSORIES

Discharge valve FLARE 1/4" 2110085

Suction valve FLARE 3/8" 2110059

CONDENSING COMPONENTS

Compressor NEK2150GK LBP

Condenser 3R11T 2451206

Refrigerant R-404A

Expansion Device C-V

Fan Blade Diameter 254 mm

Fankit 16W 254/28/5B 1996579

## MECHANICAL DATA

|             |                       |
|-------------|-----------------------|
| Air Flow    | 595 m <sup>3</sup> /h |
| Height      | 296 mm                |
| Receiver    | 1.1 L                 |
| Shaft Power | 16 W                  |
| Weight      | 22 Kg                 |
| Width       | 340 mm                |
| Length      | 465 mm                |

## PERFORMANCE

### TESTED CONDITIONS

|                    |              |
|--------------------|--------------|
| Tested Refrigerant | R-404A       |
| Tested Application | LBP          |
| Tested Standard    | EN13215_RG20 |

### RATED POINTS

| Ambient Temperature °C | Evaporating Temperature °C | Cooling Capacity W | Efficiency W/W | Consumo de Potencia W |
|------------------------|----------------------------|--------------------|----------------|-----------------------|
| 32                     | -35                        | 356                | 0.86           | 412                   |

Test Condition: Subcooling 3 K, Return Gas 20 °C.

### PERFORMANCE CURVE

Ambient Temperature 25°C

| Evaporating Temperature °C | Cooling Capacity W | Efficiency W/W | Consumo de Potencia W |
|----------------------------|--------------------|----------------|-----------------------|
| -40                        | 286                | 0.81           | 354                   |
| -30                        | 496                | 1.11           | 448                   |
| -25                        | 611                | 1.22           | 502                   |
| -20                        | 738                | 1.32           | 560                   |
| -15                        | 883                | 1.42           | 624                   |
| -10                        | 1052               | 1.52           | 693                   |

Test Condition: Subcooling 3 K, Return Gas 20 °C.

**PERFORMANCE CURVE**

Ambient Temperature 32°C

| Evaporating Temperature °C | Cooling Capacity W | Efficiency W/W | Consumo de Potencia W |
|----------------------------|--------------------|----------------|-----------------------|
| -40                        | 263                | 0.72           | 367                   |
| -30                        | 451                | 0.98           | 462                   |
| -25                        | 553                | 1.07           | 516                   |
| -20                        | 668                | 1.16           | 576                   |
| -15                        | 802                | 1.25           | 643                   |
| -10                        | 958                | 1.34           | 715                   |

Test Condition: Subcooling 3 K, Return Gas 20 °C.

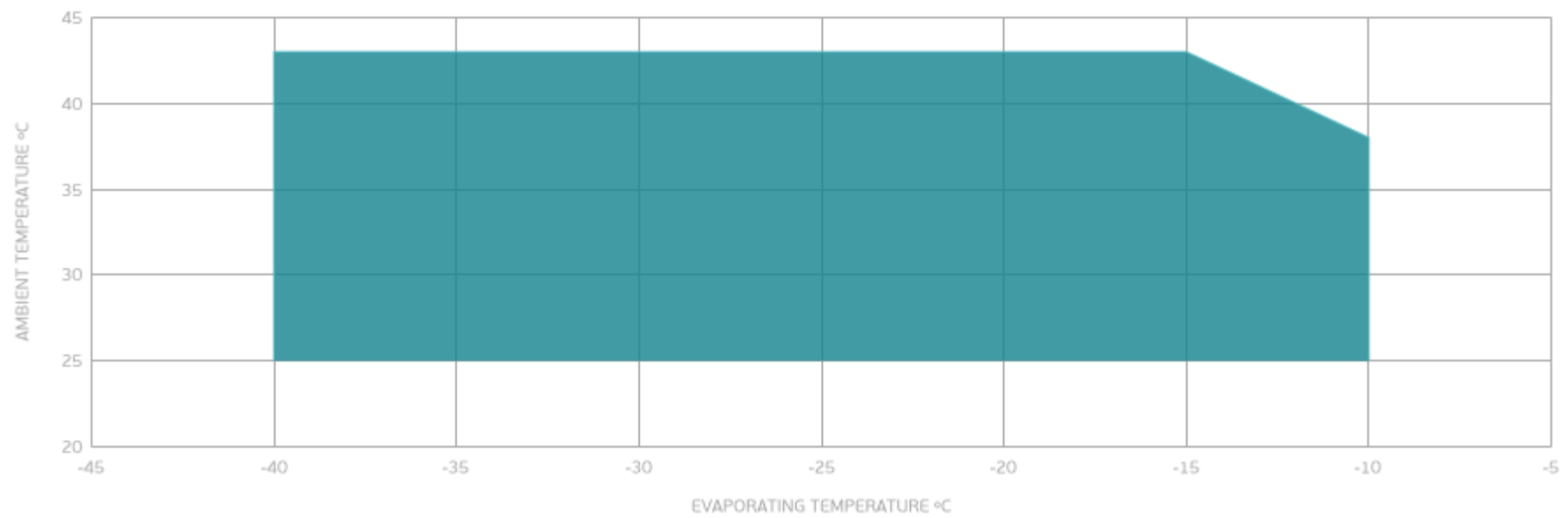
**PERFORMANCE CURVE**

Ambient Temperature 43°C

| Evaporating Temperature °C | Cooling Capacity W | Efficiency W/W | Consumo de Potencia W |
|----------------------------|--------------------|----------------|-----------------------|
| -40                        | 223                | 0.57           | 390                   |
| -30                        | 383                | 0.78           | 489                   |
| -25                        | 471                | 0.86           | 548                   |
| -20                        | 572                | 0.93           | 612                   |
| -15                        | 690                | 1.01           | 684                   |

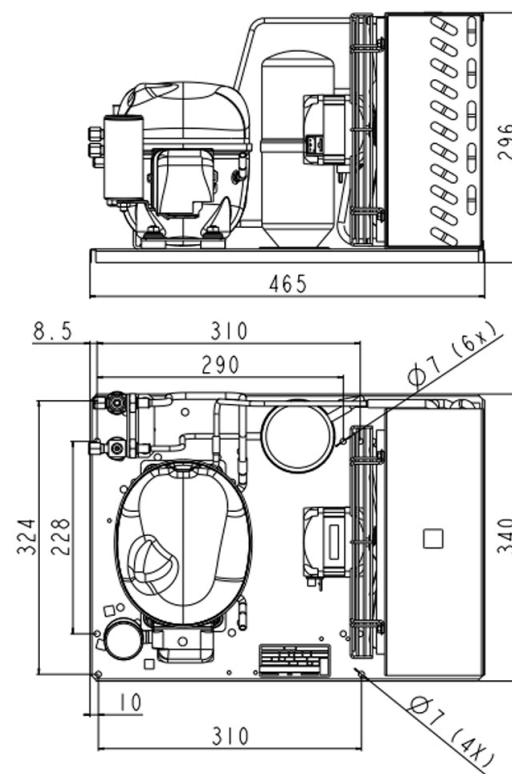
Test Condition: Subcooling 3 K, Return Gas 20 °C.

**ENVELOPE**



■ OPERATING CONDITION

## EXTERNAL DIMENSIONS



## WIRING DIAGRAM

