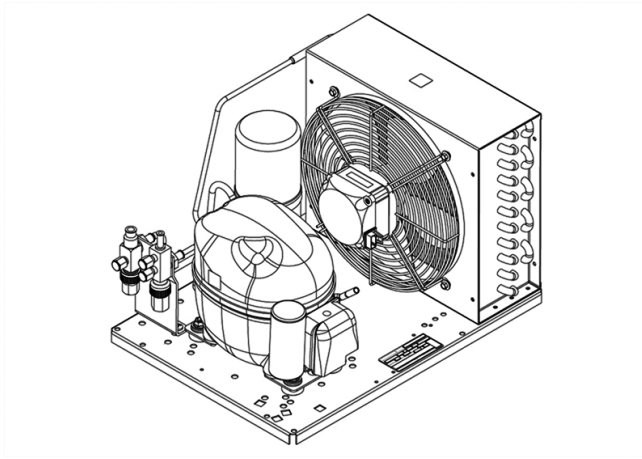


UNEK2150GK



CE



ENGINEERING CODE
559AA8212AA

REFRIGERANT
R-452A

POWER SUPPLY
220-240 V 50 Hz

APPLICATION
LBP

MOTOR TYPE
CSIR

STANDARD
EN13215_RG20

COOLING CAPACITY
319 W

EFFICIENCY
0.81 W/W

DATA

GENERAL DATA

Model	UNEK2150GK
-------	------------

ELECTRICAL DATA

Locked Rotor Amperage (LRA)	19.50 A
-----------------------------	---------

Rated Load Amperage (RLA)	3.52 A
---------------------------	--------

Maximum Overcurrent Protection (MOP)	7.92 A
--------------------------------------	--------

Minimum Current Ampacity (MCA)	4.4 A
--------------------------------	-------

ACCESSORIES

Discharge valve	FLARE 1/4"	2110085
-----------------	------------	---------

Suction valve	FLARE 3/8"	2110059
---------------	------------	---------

CONDENSING COMPONENTS

Compressor	NEK2150GK	LBP
------------	-----------	-----

Condenser	3R11T	2451206
-----------	-------	---------

Refrigerant	R-404A
-------------	--------

Expansion Device	C-V
------------------	-----

Fan Blade Diameter	254 mm
--------------------	--------

Fankit	16W 254/28/5B	1996579
--------	---------------	---------

MECHANICAL DATA

Air Flow	595 m ³ /h
Height	296 mm
Receiver	1.1 L
Shaft Power	16 W
Weight	22 Kg
Width	340 mm
Length	465 mm

PERFORMANCE

TESTED CONDITIONS

Tested Refrigerant	R-452A
Tested Application	LBP
Tested Standard	EN13215_RG20

RATED POINTS

Ambient Temperature °C	Evaporating Temperature °C	Cooling Capacity W	Efficiency W/W	Consumo de Potencia W
32	-35	319	0.81	396

Test Condition: Subcooling 3 K, Return Gas 20 °C.

PERFORMANCE CURVE

Ambient Temperature 25°C

Evaporating Temperature °C	Cooling Capacity W	Efficiency W/W	Consumo de Potencia W
-40	255	0.69	367
-30	463	1.01	459
-25	581	1.13	512
-20	715	1.25	571
-15	871	1.37	635
-10	1053	1.49	705

Test Condition: Subcooling 3 K, Return Gas 20 °C.

PERFORMANCE CURVE

Ambient Temperature 32°C

Evaporating Temperature °C	Cooling Capacity W	Efficiency W/W	Consumo de Potencia W
-40	228	0.65	353
-30	415	0.93	444
-25	520	1.05	497
-20	641	1.15	557
-15	782	1.26	623
-10	949	1.37	695

Test Condition: Subcooling 3 K, Return Gas 20 °C.

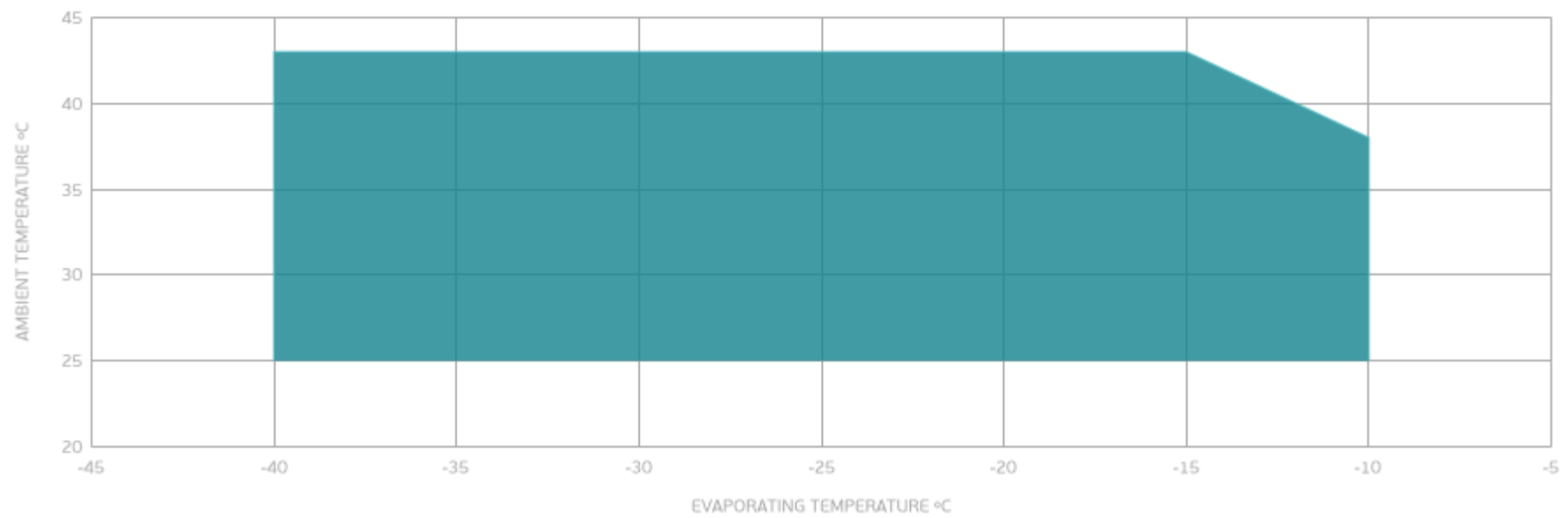
PERFORMANCE CURVE

Ambient Temperature 43°C

Evaporating Temperature °C	Cooling Capacity W	Efficiency W/W	Consumo de Potencia W
-40	187	0.48	391
-30	345	0.70	493
-25	434	0.78	553
-20	536	0.87	620
-15	658	0.95	694

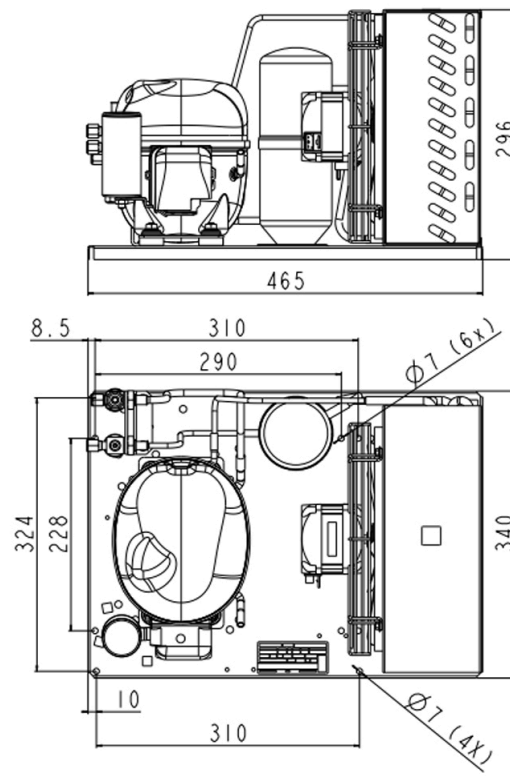
Test Condition: Subcooling 3 K, Return Gas 20 °C.

ENVELOPE



■ OPERATING CONDITION

EXTERNAL DIMENSIONS



WIRING DIAGRAM

