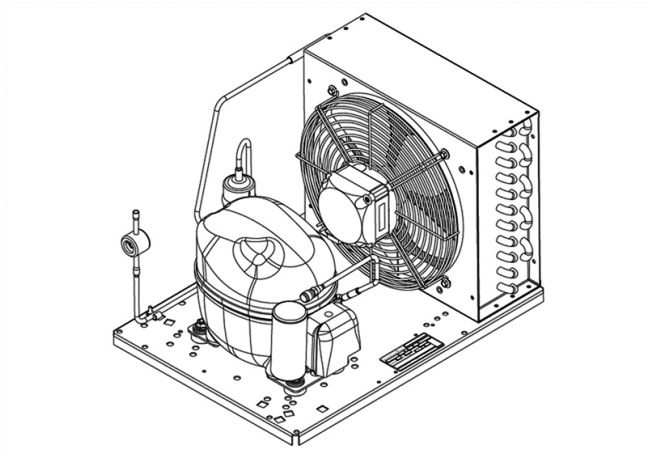


## UNEK6181GK



CE



**ENGINEERING CODE**  
557MAL012AA

**REFRIGERANT**  
R-449A

**POWER SUPPLY**  
220-240 V 50 Hz

**APPLICATION**  
HBP

**MOTOR TYPE**  
CSIR

**STANDARD**  
EN13215\_RG20

**COOLING CAPACITY**  
585 W

**EFFICIENCY**  
1.48 W/W

## DATA

## GENERAL DATA

Model	UNEK6181GK
-------	------------

## ELECTRICAL DATA

Locked Rotor Amperage (LRA)	12.00 A
-----------------------------	---------

Rated Load Amperage (RLA)	2.70 A
---------------------------	--------

Maximum Overcurrent Protection (MOP)	6.08 A
--------------------------------------	--------

Minimum Current Ampacity (MCA)	3.4 A
--------------------------------	-------

## ACCESSORIES

Dryer	FILTER DRYER 6MM ODF	2730006
-------	----------------------	---------

Sightglass	SIGHT GLASS 6MM ODF	2464031
------------	---------------------	---------

## CONDENSING COMPONENTS

Compressor	NEK6181GK	M/HBP
------------	-----------	-------

Condenser	3R11T	2451206
-----------	-------	---------

Refrigerant	R-404A
-------------	--------

Expansion Device	C-V
------------------	-----

Fan Blade Diameter	254 mm
--------------------	--------

Fankit	16W 254/28/5B	1996579
--------	---------------	---------

## MECHANICAL DATA

Air Flow	595 m <sup>3</sup> /h
Height	296 mm
Shaft Power	16 W
Weight	19 Kg
Width	340 mm
Length	465 mm

## PERFORMANCE

### TESTED CONDITIONS

Tested Refrigerant	R-449A
Tested Application	HBP
Tested Standard	EN13215_RG20

### RATED POINTS

Ambient Temperature °C	Evaporating Temperature °C	Cooling Capacity W	Efficiency W/W	Consumo de Potencia W
32	-10	585	1.48	395

Test Condition: Subcooling 3 K, Return Gas 20 °C.

### PERFORMANCE CURVE

Ambient Temperature 25°C

Evaporating Temperature °C	Cooling Capacity W	Efficiency W/W	Consumo de Potencia W
-15	500	1.42	352
-5	749	1.84	407
0	900	2.07	436

Test Condition: Subcooling 3 K, Return Gas 20 °C.

### PERFORMANCE CURVE

Ambient Temperature 32°C

Evaporating Temperature °C	Cooling Capacity W	Efficiency W/W	Consumo de Potencia W
-15	473	1.30	364
-5	709	1.66	428
0	850	1.83	463

Test Condition: Subcooling 3 K, Return Gas 20 °C.

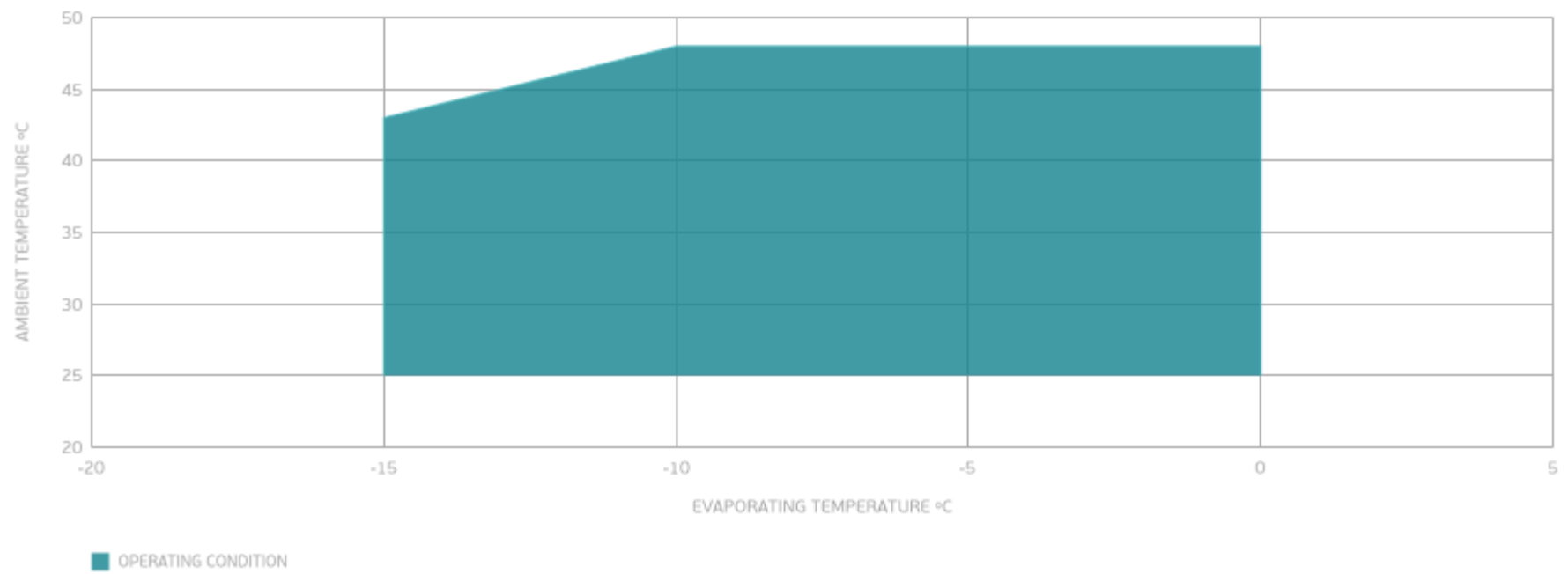
## PERFORMANCE CURVE

Ambient Temperature 43°C

Evaporating Temperature °C	Cooling Capacity W	Efficiency W/W	Consumo de Potencia W
-15	426	1.11	384
-5	637	1.34	474
0	759	1.45	525

Test Condition: Subcooling 3 K, Return Gas 20 °C.

## ENVELOPE



## EXTERNAL DIMENSIONS

