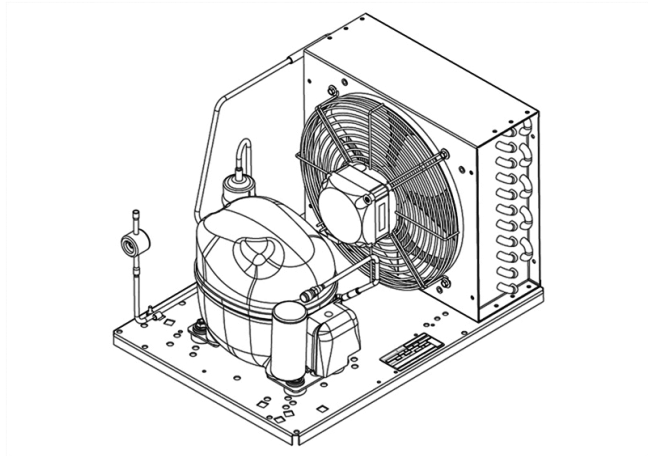



UNEK6181GK



CE


 **ENGINEERING CODE**
557MAL012AA

 **REFRIGERANT**
R-452A

 **POWER SUPPLY**
220-240 V 50 Hz

 **APPLICATION**
HBP

 **MOTOR TYPE**
CSIR

 **STANDARD**
EN13215_RG20

 **COOLING CAPACITY**
658 W

 **EFFICIENCY**
1.56 W/W

DATA

GENERAL DATA

Model	UNEK6181GK
-------	------------

ELECTRICAL DATA

Locked Rotor Amperage (LRA)	12.00 A
-----------------------------	---------

Rated Load Amperage (RLA)	2.70 A
---------------------------	--------

Maximum Overcurrent Protection (MOP)	6.08 A
--------------------------------------	--------

Minimum Current Ampacity (MCA)	3.4 A
--------------------------------	-------

ACCESSORIES

Dryer	FILTER DRYER 6MM ODF	2730006
-------	----------------------	---------

Sightglass	SIGHT GLASS 6MM ODF	2464031
------------	---------------------	---------

CONDENSING COMPONENTS

Compressor	NEK6181GK	M/HBP
------------	-----------	-------

Condenser	3R11T	2451206
-----------	-------	---------

Refrigerant	R-404A
-------------	--------

Expansion Device	C-V
------------------	-----

Fan Blade Diameter	254 mm
--------------------	--------

Fankit	16W 254/28/5B	1996579
--------	---------------	---------

MECHANICAL DATA

Air Flow	595 m ³ /h
Height	296 mm
Shaft Power	16 W
Weight	19 Kg
Width	340 mm
Length	465 mm

PERFORMANCE

TESTED CONDITIONS

Tested Refrigerant	R-452A
Tested Application	HBP
Tested Standard	EN13215_RG20

RATED POINTS

Ambient Temperature °C	Evaporating Temperature °C	Cooling Capacity W	Efficiency W/W	Consumo de Potencia W
32	-10	658	1.56	422

Test Condition: Subcooling 3 K, Return Gas 20 °C.

PERFORMANCE CURVE

Ambient Temperature 25°C

Evaporating Temperature °C	Cooling Capacity W	Efficiency W/W	Consumo de Potencia W
-20	477	1.40	341
-15	584	1.57	371
-5	832	1.88	442
0	978	2.03	481
5	1143	2.19	521
10	1329	2.37	561

Test Condition: Subcooling 3 K, Return Gas 20 °C.

PERFORMANCE CURVE

Ambient Temperature 32°C

Evaporating Temperature °C	Cooling Capacity W	Efficiency W/W	Consumo de Potencia W
-20	437	1.22	357
-15	542	1.40	388
-5	786	1.71	461
0	931	1.86	502
5	1096	2.01	545
10	1282	2.18	589

Test Condition: Subcooling 3 K, Return Gas 20 °C.

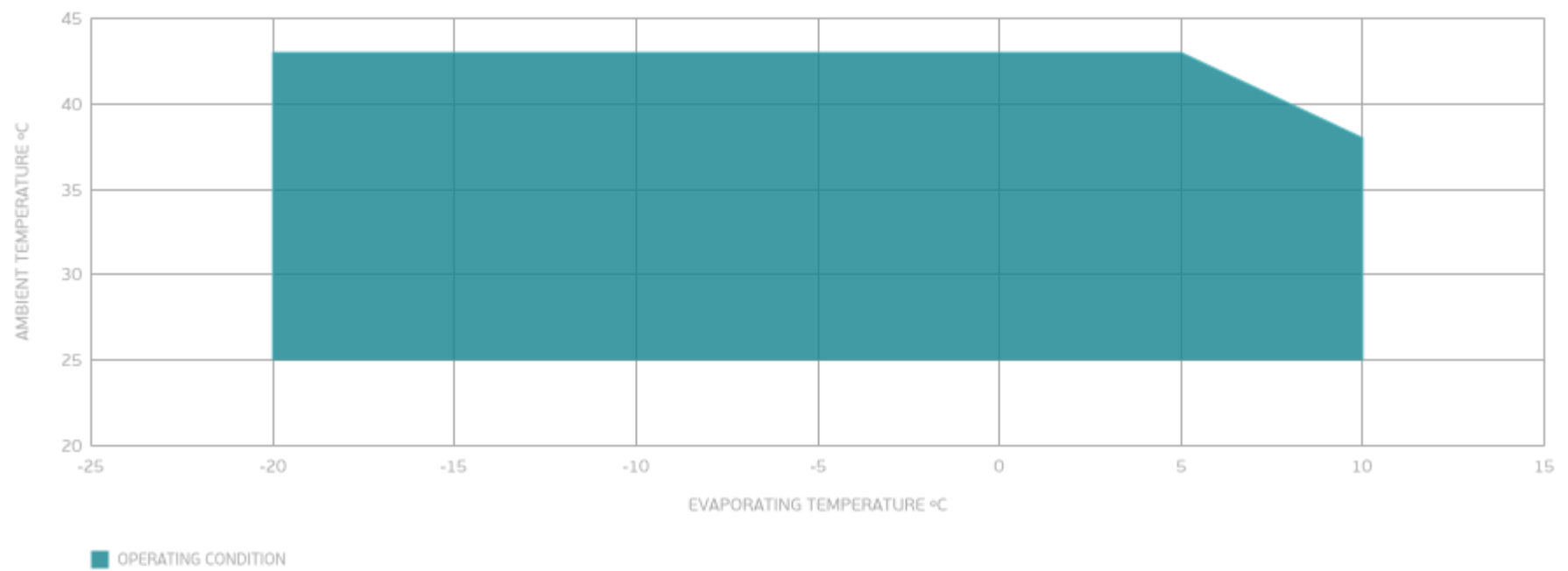
PERFORMANCE CURVE

Ambient Temperature 43°C

Evaporating Temperature °C	Cooling Capacity W	Efficiency W/W	Consumo de Potencia W
-20	363	0.99	368
-15	454	1.11	408
-5	673	1.33	505
0	807	1.44	560
5	961	1.55	618

Test Condition: Subcooling 3 K, Return Gas 20 °C.

ENVELOPE



EXTERNAL DIMENSIONS

