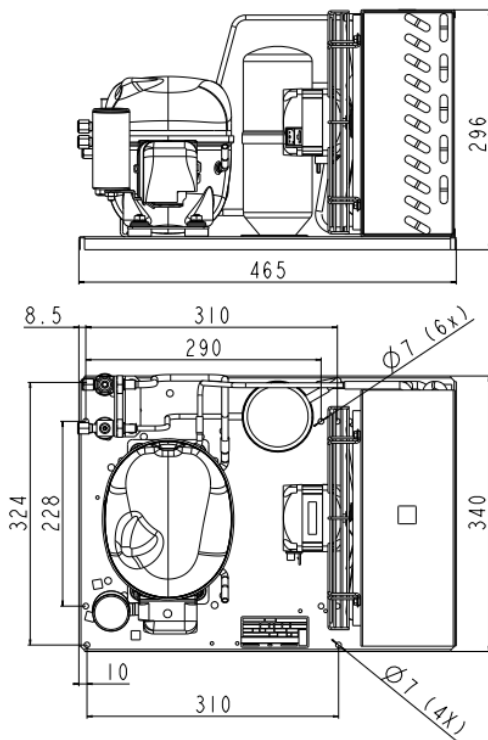


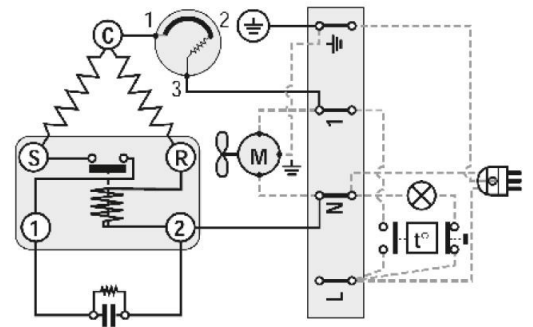
GENERAL DATA

Application:	M/HBP
Refrigerant:	R404A
Expansion Device:	C-V
Weight:	21 kg
Receiver:	1.1 liter
Voltage/Frequency:	220 - 240 V 50 ~
Height:	21 mm
Length:	465 mm
Width:	340 mm
Institute Approvals:	CE

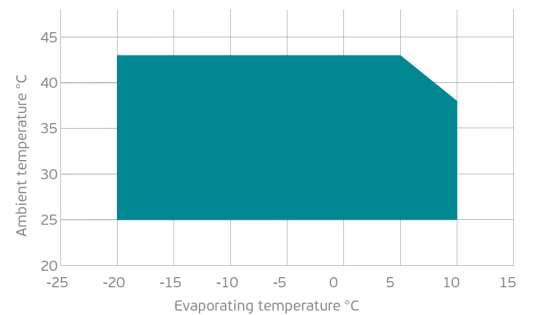
EXTERNAL DIMENSIONS



WIRING DIAGRAM



OPERATING ENVELOPE



COMPONENTS (SPARE PARTS)

condenser:	3R11T	2451206
valve_suca:	FLARE 3/8"	2110059
compressor:	NEK6181GK	957MA51..AN

fankit:	16W 254/28/5B	1996610
valve_disch:	FLARE 1/4"	2110085
elkit:	ELKOM NEK6181GK	957MA51N1A

For additional accessories please contact our technical support

ELECTRICAL DATA

Motor Type: CSIR -
 Locked Rotor Amperage (LRA): 12 A
 Max.Current: 2.7 A

At maximum evaporating temperature and maximum ambient temperature.

FAN MOTOR

Number: 1 -
 Shaft Power: 16 W
 Air Flow: 595 m³/h
 Blade Diameter: 254 mm

PERFORMANCE CURVE DATA

Standard: EN13215-RG20 / return gas 20°C, subcooling 3K

50 Hz

	Evaporating Temperature (°C)	Cooling Capacity (W)	Power Consumption (W)	Current Consumption (A)	Efficiency (W/W)
25 °C Ambient Temperature	10°C	1 310	539	3.21	2.43
	5°C	1 134	507	3.08	2.24
	0°C	975	475	2.97	2.05
	-5°C	831	444	2.85	1.87
	Rated point -10°C	700	413	2.75	1.70
	-15°C	582	384	2.66	1.52
	-20°C	475	357	2.58	1.33
32 °C Ambient Temperature	10°C	1 215	577	3.34	2.11
	5°C	1 053	540	3.19	1.95
	0°C	906	504	3.05	1.80
	-5°C	773	467	2.92	1.65
	Rated point -10°C	653	432	2.80	1.51
	-15°C	544	399	2.69	1.37
	-20°C	446	368	2.59	1.21
43 °C Ambient Temperature	5°C	931	609	3.45	1.53
	0°C	799	561	3.25	1.42
	-5°C	681	513	3.07	1.33
	Rated point -10°C	573	467	2.90	1.23
	-15°C	475	423	2.75	1.12
	-20°C	386	381	2.61	1.01