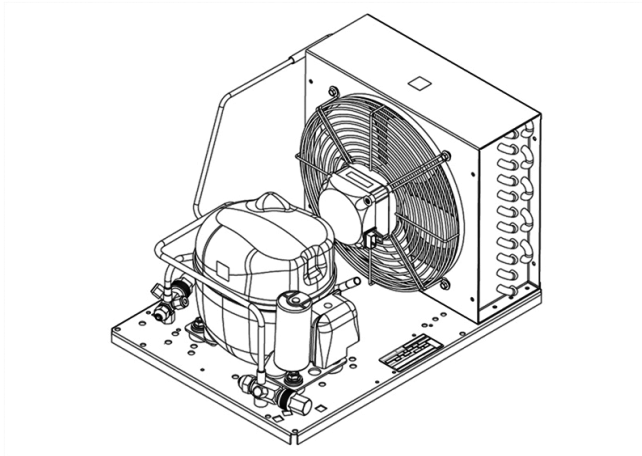


UNEK6214Z



CE


ENGINEERING CODE
559HA5108AA

POWER SUPPLY
220-240 V 50 Hz

MOTOR TYPE
CSIR

REFRIGERANT
R-134a

APPLICATION
HBP

STANDARD
EN13215_RG20

COOLING CAPACITY
762 W

EFFICIENCY
1.44 W/W

DATA

GENERAL DATA

Model	UNEK6214Z
-------	-----------

ELECTRICAL DATA

Locked Rotor Amperage (LRA)	21.20 A
-----------------------------	---------

Rated Load Amperage (RLA)	5.17 A
---------------------------	--------

Maximum Overcurrent Protection (MOP)	11.63 A
--------------------------------------	---------

Minimum Current Ampacity (MCA)	6.5 A
--------------------------------	-------

ACCESSORIES

Discharge valve	FLARE 1/4"	2110025
-----------------	------------	---------

Suction valve	FLARE 3/8"	2110024
---------------	------------	---------

CONDENSING COMPONENTS

Compressor	NEK6214Z	M/HBP
------------	----------	-------

Condenser	3R11T	2451206
-----------	-------	---------

Refrigerant	R-134a
-------------	--------

Expansion Device	C-V
------------------	-----

Fan Blade Diameter	254 mm
--------------------	--------

Fankit	16W 254/28/5B	1996579
--------	---------------	---------

MECHANICAL DATA

Air Flow	595 m ³ /h
Height	296 mm
Shaft Power	16 W
Weight	21 Kg
Width	340 mm
Length	465 mm

PERFORMANCE

TESTED CONDITIONS

Tested Refrigerant	R-134a
Tested Application	HBP
Tested Standard	EN13215_RG20

RATED POINTS

Ambient Temperature °C	Evaporating Temperature °C	Cooling Capacity W	Efficiency W/W	Consumo de Potencia W
32	-10	762	1.44	529

Test Condition: Subcooling 3 K, Return Gas 20 °C.

PERFORMANCE CURVE

Ambient Temperature 25°C

Evaporating Temperature °C	Cooling Capacity W	Efficiency W/W	Consumo de Potencia W
-15	681	1.47	464
-5	1015	1.78	570
0	1210	1.91	634
5	1423	2.02	704
10	1655	2.12	782

Test Condition: Subcooling 3 K, Return Gas 20 °C.

PERFORMANCE CURVE

Ambient Temperature 32°C

Evaporating Temperature °C	Cooling Capacity W	Efficiency W/W	Consumo de Potencia W
-15	619	1.29	479
-5	923	1.57	587
0	1100	1.68	653
5	1294	1.78	726
10	1505	1.87	806

Test Condition: Subcooling 3 K, Return Gas 20 °C.

PERFORMANCE CURVE

Ambient Temperature 43°C

Evaporating Temperature °C	Cooling Capacity W	Efficiency W/W	Consumo de Potencia W
-15	501	1.00	500
-5	766	1.22	628
0	921	1.31	704
5	1089	1.38	788

Test Condition: Subcooling 3 K, Return Gas 20 °C.

ENVELOPE



EXTERNAL DIMENSIONS

