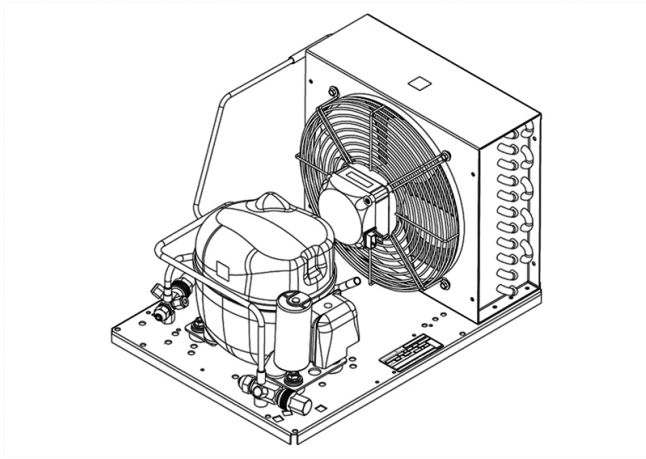


UNEK6214Z



ENGINEERING CODE
559HA5108AA



REFRIGERANT
R-513A



POWER SUPPLY
220-240 V 50 Hz



APPLICATION
HBP



MOTOR TYPE
CSIR



STANDARD
EN13215_RG20



COOLING CAPACITY
805 W



EFFICIENCY
1.43 W/W

CE

ECODESIGN
COMPLIANT

DATA

GENERAL DATA

Model UNEK6214Z

ELECTRICAL DATA

Locked Rotor Amperage (LRA) 21.20 A

Rated Load Amperage (RLA) 5.17 A

Maximum Overcurrent Protection (MOP) 11.63 A

Minimum Current Ampacity (MCA) 6.5 A

ACCESSORIES

Discharge valve FLARE 1/4" 2110025

Suction valve FLARE 3/8" 2110024

CONDENSING COMPONENTS

Compressor NEK6214Z M/HBP

Condenser 3R11T 2451206

Refrigerant R-134a

Expansion Device C-V

Fan Blade Diameter 254 mm

Fankit 16W 254/28/5B 1996579

MECHANICAL DATA

Air Flow	595 m ³ /h
Height	296 mm
Shaft Power	16 W
Weight	21 Kg
Width	340 mm
Length	465 mm

PERFORMANCE

TESTED CONDITIONS

Tested Refrigerant	R-513A
Tested Application	HBP
Tested Standard	EN13215_RG20

RATED POINTS

Ambient Temperature °C	Evaporating Temperature °C	Cooling Capacity W	Efficiency W/W	Consumo de Potencia W
32	-10	805	1.43	564

Test Condition: Subcooling 3 K, Return Gas 20 °C.

PERFORMANCE CURVE

Ambient Temperature 25°C

Evaporating Temperature °C	Cooling Capacity W	Efficiency W/W	Consumo de Potencia W
-15	740	1.49	497
-5	1058	1.74	609
0	1242	1.84	673
5	1441	1.94	743
10	1657	2.03	818

Test Condition: Subcooling 3 K, Return Gas 20 °C.

PERFORMANCE CURVE

Ambient Temperature 32°C

Evaporating Temperature °C	Cooling Capacity W	Efficiency W/W	Consumo de Potencia W
-15	669	1.31	510
-5	956	1.53	624
0	1123	1.63	689
5	1306	1.72	760
10	1504	1.80	836

Test Condition: Subcooling 3 K, Return Gas 20 °C.

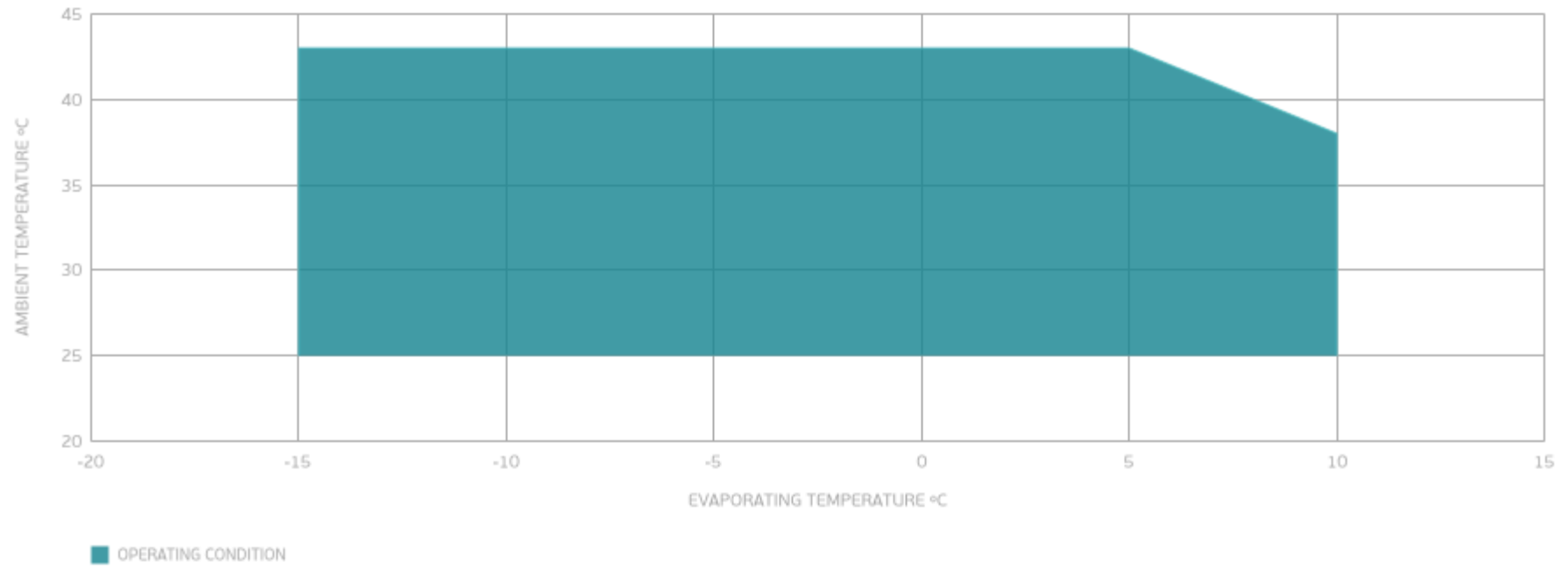
PERFORMANCE CURVE

Ambient Temperature 43°C

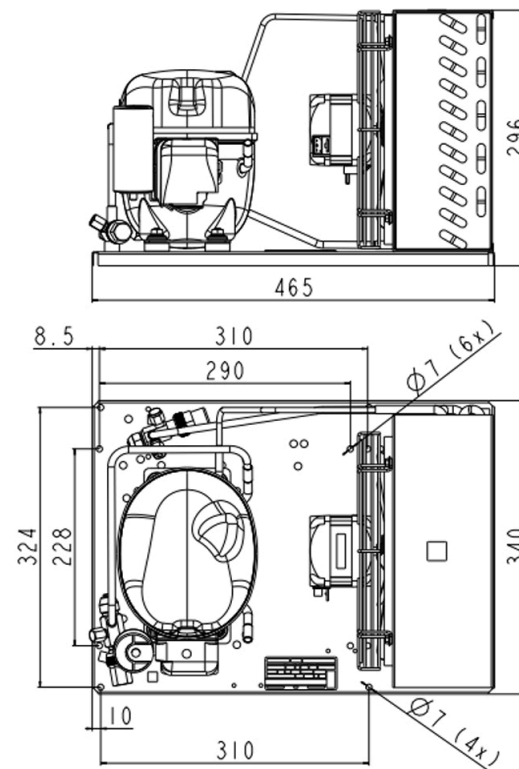
Evaporating Temperature °C	Cooling Capacity W	Efficiency W/W	Consumo de Potencia W
-15	537	1.02	529
-5	791	1.20	661
0	941	1.28	736
5	1106	1.35	817

Test Condition: Subcooling 3 K, Return Gas 20 °C.

ENVELOPE



EXTERNAL DIMENSIONS



WIRING DIAGRAM

