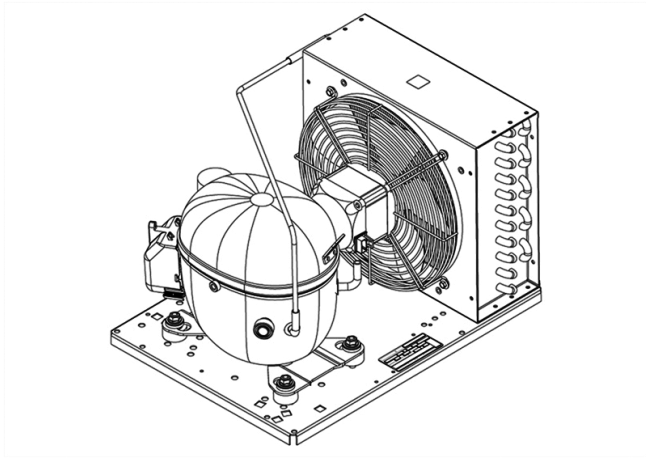


UNT6215Z



ENGINEERING CODE
602AN5312AA



REFRIGERANT
R-134a



POWER SUPPLY
200-240 V 50 Hz
/ 230 V 60 Hz



APPLICATION
HBP



MOTOR TYPE
CSIR



STANDARD
EN13215_RG20



COOLING CAPACITY
839 W



EFFICIENCY
1.63 W/W

DATA

GENERAL DATA

Model UNT6215Z

ELECTRICAL DATA

Locked Rotor Amperage (LRA) 22.00 A

Rated Load Amperage (RLA) 5.12 A

Maximum Overcurrent Protection (MOP) 11.52 A

Minimum Current Ampacity (MCA) 6.4 A

CONDENSING COMPONENTS

Compressor NT6215Z M/HBP

Condenser 3R11T 2451206

Refrigerant R-134a

Expansion Device C-V

Fan Blade Diameter 254 mm

Fankit 25W 254/28/5B 1996587

MECHANICAL DATA

Air Flow	740 m ³ /h
Height	296 mm
Shaft Power	25 W
Weight	25 Kg
Width	340 mm
Length	465 mm

PERFORMANCE

TESTED CONDITIONS

Tested Refrigerant	R-134a
Tested Application	HBP
Tested Standard	EN13215_RG20

RATED POINTS

Ambient Temperature °C	Evaporating Temperature °C	Cooling Capacity W	Efficiency W/W	Consumo de Potencia W
32	-10	839	1.63	514

Test Condition: Subcooling 3 K, Return Gas 20 °C.

PERFORMANCE CURVE

Ambient Temperature 25°C

Evaporating Temperature °C	Cooling Capacity W	Efficiency W/W	Consumo de Potencia W
-15	735	1.65	445
-5	1126	2.03	554
0	1346	2.20	612
5	1583	2.34	676
10	1839	2.46	748

Test Condition: Subcooling 3 K, Return Gas 20 °C.

PERFORMANCE CURVE

Ambient Temperature 32°C

Evaporating Temperature °C	Cooling Capacity W	Efficiency W/W	Consumo de Potencia W
-15	668	1.45	459
-5	1023	1.80	570
0	1223	1.94	630
5	1439	2.07	697
10	1671	2.16	772

Test Condition: Subcooling 3 K, Return Gas 20 °C.

PERFORMANCE CURVE

Ambient Temperature 43°C

Evaporating Temperature °C	Cooling Capacity W	Efficiency W/W	Consumo de Potencia W
-15	537	1.15	468
-5	858	1.44	595
0	1037	1.56	666
5	1230	1.65	744

Test Condition: Subcooling 3 K, Return Gas 20 °C.

ENVELOPE



EXTERNAL DIMENSIONS

