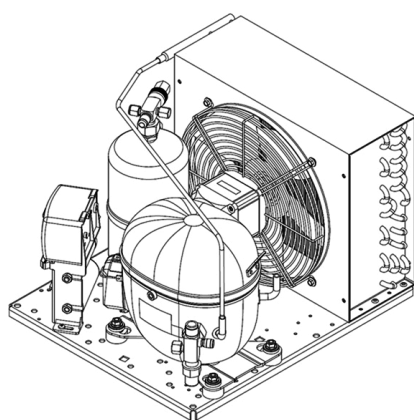


UNT6220Z



**ENGINEERING CODE**  
602CN5204AA



**REFRIGERANT**  
R-513A



**POWER SUPPLY**  
200-240 V 50 Hz  
/ 230 V 60 Hz



**APPLICATION**  
HBP



**MOTOR TYPE**  
CSR



**STANDARD**  
EN13215\_RG20

CE

ECODESIGN  
COMPLIANT



**COOLING CAPACITY**  
1198 W



**EFFICIENCY**  
1.74 W/W

DATA

GENERAL DATA

Model UNT6220Z

ELECTRICAL DATA

Locked Rotor Amperage (LRA) 28.00 A

Rated Load Amperage (RLA) 5.99 A

Maximum Overcurrent Protection (MOP) 13.48 A

Minimum Current Ampacity (MCA) 7.5 A

ACCESSORIES

Discharge valve FLARE 3/8" 2110056

Suction valve FLARE 1/2" 2110057

CONDENSING COMPONENTS

Compressor NT6220Z HBP

Condenser 3R12T 2451140

Refrigerant R-134a

Expansion Device C-V

Fan Blade Diameter 275 mm

Fankit 34W 275/31/5B 1996583

## MECHANICAL DATA

Air Flow	640 m <sup>3</sup> /h
Height	324 mm
Receiver	2.3 L
Shaft Power	34 W
Weight	34 Kg
Width	395 mm
Length	494 mm

## PERFORMANCE

### TESTED CONDITIONS

Tested Refrigerant	R-513A
Tested Application	HBP
Tested Standard	EN13215_RG20

### RATED POINTS

Ambient Temperature °C	Evaporating Temperature °C	Cooling Capacity W	Efficiency W/W	Consumo de Potencia W
32	-10	1198	1.74	687

Test Condition: Subcooling 3 K, Return Gas 20 °C.

### PERFORMANCE CURVE

Ambient Temperature 25°C

Evaporating Temperature °C	Cooling Capacity W	Efficiency W/W	Consumo de Potencia W
-15	1067	1.76	607
-5	1617	2.23	724
0	1931	2.47	780
5	2258	2.67	847
10	2592	2.78	932

Test Condition: Subcooling 3 K, Return Gas 20 °C.

### PERFORMANCE CURVE

Ambient Temperature 32°C

Evaporating Temperature °C	Cooling Capacity W	Efficiency W/W	Consumo de Potencia W
-15	966	1.54	626
-5	1459	1.97	743
0	1742	2.18	801
5	2038	2.34	871
10	2338	2.44	960

Test Condition: Subcooling 3 K, Return Gas 20 °C.

## PERFORMANCE CURVE

Ambient Temperature 43°C

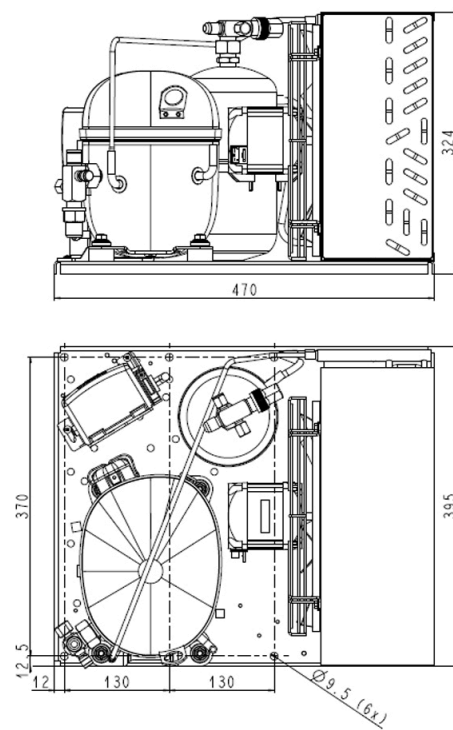
Evaporating Temperature °C	Cooling Capacity W	Efficiency W/W	Consumo de Potencia W
-15	784	1.23	639
-5	1212	1.56	775
0	1459	1.73	845
5	1716	1.85	929

Test Condition: Subcooling 3 K, Return Gas 20 °C.

## ENVELOPE



## EXTERNAL DIMENSIONS



WIRING DIAGRAM

