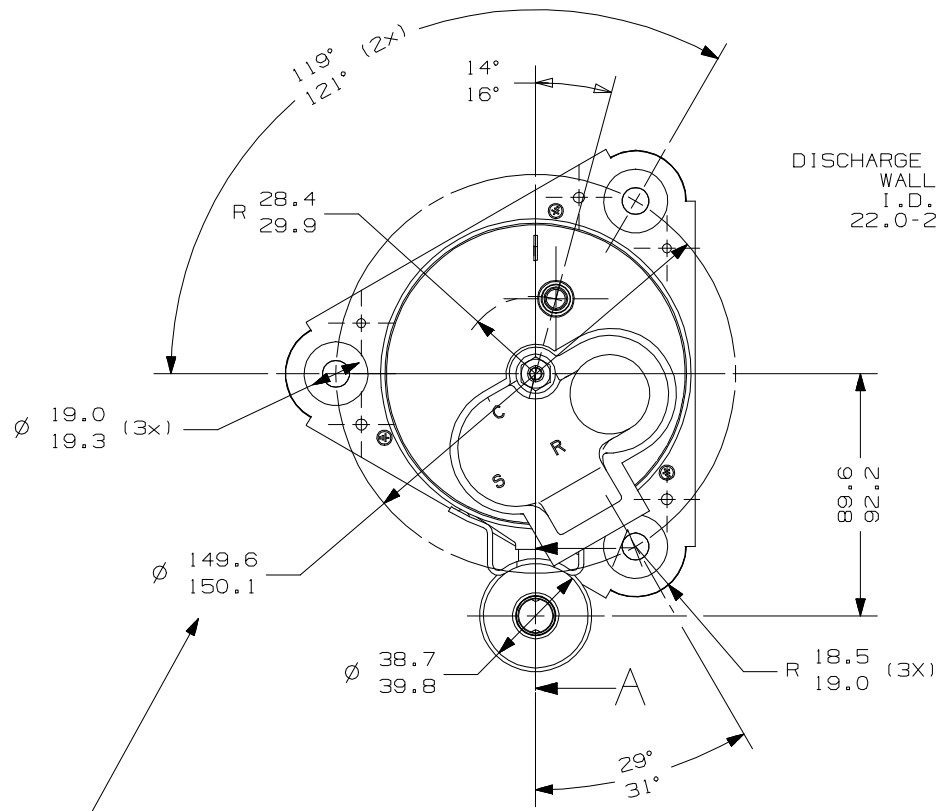
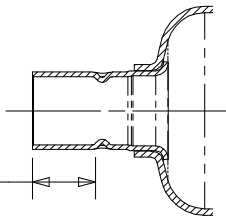


A	HOUSING ASS'Y	14963865
B	ACCUMULATOR	BRA12109-5 (AD)
C	MOUNTING PLATE	28823
D	TOP CAP ASS'Y	320-10274 (AC)

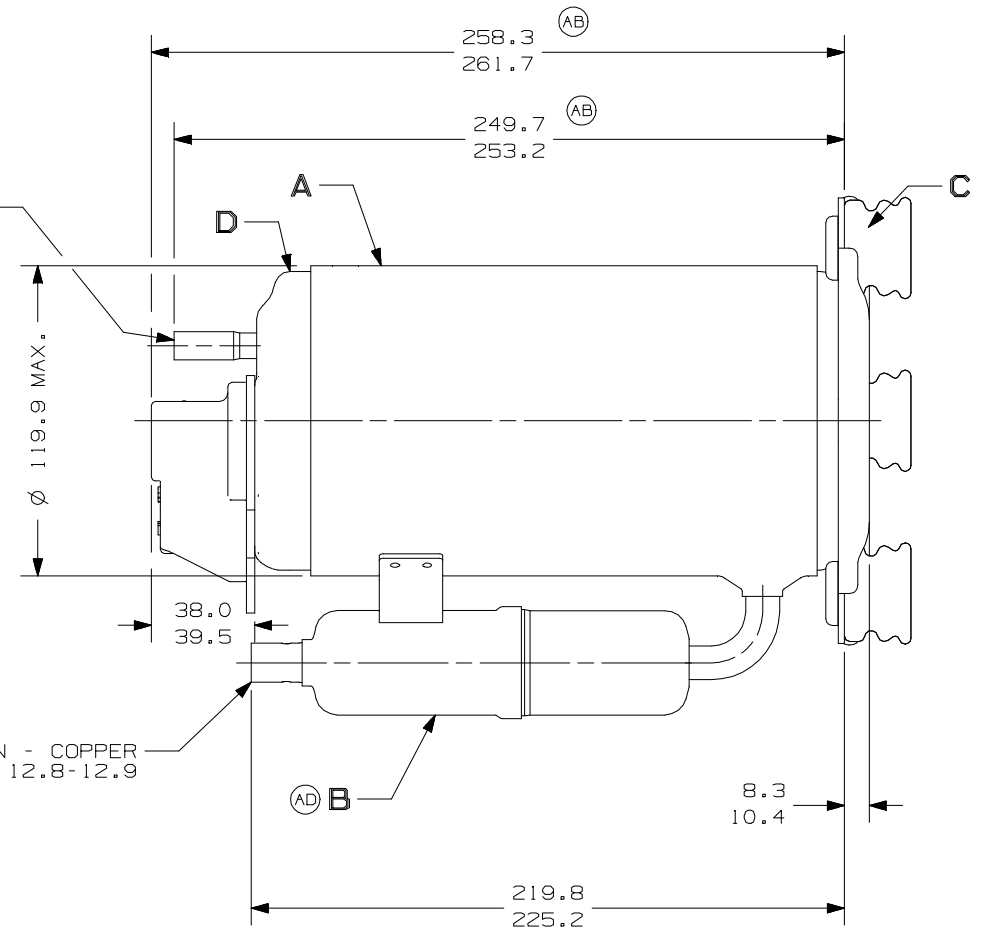


DISCHARGE - COPPER
WALL 1.2-1.3
I.D. 8.0-8.2
22.0-22.5 DEEP

SUCTION - COPPER
I.D. 12.8-12.9



(AE) SECTION A-A
SCALE 1:1



EC81070 19-03-18 CADEM MS.	EC65153 20-10-15 CADEM M.	EC52919 11-02-14 AMP MF	PRE-EC43900 14.02.12 M,N/L,S.	CE8967/04 16/09/04 M,N/L,S.	DATE	CHANGE	<p>THIS DRAWING OR PRINT (1) IS THE PROPERTY OF TECUMSEH DO BRASIL LTDA. AND CONTAINS PROPRIETARY AND CONFIDENTIAL INFORMATION BELONGING TO TECUMSEH DO BRASIL. (11) IS MADE AVAILABLE TO THE RECIPIENT ON THE EXPRESS AND SPECIFIC CONDITION THAT NEITHER IT NOR THE INFORMATION CONTAINED THEREIN OR DISCLOSED OR MADE AVAILABLE TO OTHERS WITHOUT THE EXPRESS AND SPECIFIC WRITTEN CONSENT OF TECUMSEH DO BRASIL AND THAT ALL INFORMATION CONTAINED HEREIN IS UNCLASSIFIED AND SPECIFICALLY APPROVED FOR RELEASE BY TECUMSEH DO BRASIL AND NOT OTHERWISE (111) BELONGING TO TECUMSEH DO BRASIL. (111) IS OUT TECUMSEH DO BRASIL PRIOR EXPRESS AND SPECIFIC WRITTEN CONSENT AND (11) SHALL BE RETURNED BY THE RECIPIENT LATTER'S REQUEST PROMPTLY AFTER SUCH REQUEST IS MADE.</p>
ADRESCENTADO CÓDIGO A-A	ALTERADA LETRA B DA TABELA A ERA: BRA12109-2	ALT. TAMPA SUP. ERA: HA663	REDUCAO CARGACA ERA 254.8-258.4 ERA 263.4-265.9 ERA BRA14660-36	RELEASED	LC	LT	
A4	D5 B2	D5	D/2 D/5	- - -	-	-	
AE	AD	AC	AB	-	-	-	

THIRD ANGLE PROJECTION

UNITS: mm

DRAWING SIZE: A3

NAME: SALES COMPRESSOR

PART NO.: BRDCRG007

DWN. MARCO N.	CK. SCHIAVONE	APR. ANDRE Z.	SCALE 1:2	PAGE 1/1
DATE 09/08/04	REF.		FAMILY RG	