



Tecumseh

Compressor Voltage Code : FZ

RG5450N-FZ4A

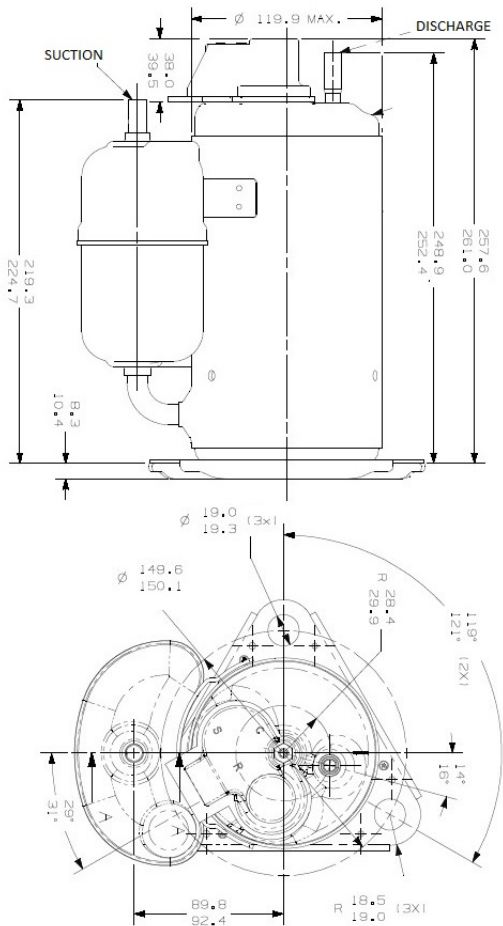
Air Conditioning & Heating (CA)

220 - 240V 1~ 50 Hz

R134a

RG5450N-FZ4A

Conditions	Frequency	Nominal Cooling Capacity		Sound Power ISO3745 / ISO 3743-1
		Watts	BTU/h	
EN12900 / R134a	50 Hz	1114	3800	



Displacement (cc)	11.5
Net Weight (Kg)	11.3
Oil Quantity (cc)	290.0
Oil Type	Polyolester
Expansion Device	Capillary_Tube
Cooling	Fan
Main Winding (Ohm)	7.65
Start Winding (Ohm)	11.17
Current	
RLA (A)	1.7
LRA (A)	14.5
Electrical Equipment	CSR
Overload	MSP58AMN
Time Check	6.5s - 15s / 9 A
Open Temp	120° C
Close Temp	69° C
Start Capacitor	72-88 µF / 330 V
Run Capacitor	15 µF / 400 V
Potential Relay	RVA4N**
Pick Up	262/290V
Drop Out	60/121V
Refrigerating connection for OD	
Suction Tube	9.5 (3/8")
Discharge Tube	7.9 (5/16")

* EN12900 : T°Cond. 50.0°C / T°Evap. 5.0°C / T°Superheat. 10.0°C
T°Subcooling. 0.0K

Certificates :



Note : Tecumseh reserves the right to change information contained in this document without notification.



Tecumseh

RG5450N-FZ4A	Tension FZ : 220 - 240V 1~ 50 Hz
---------------------	---

Les performances sont données dans les conditions EN12900 :	Surchauffe :	10.0 K
Condition Dew	Sous refroidissement :	0.0 K
The performance data are in EN12900 conditions :	Superheat :	10.0 K
Dew Condition	Subcooling :	0.0 K

50 Hz R134a

N°RG5450N-FZ4A

4 T condensation	5 T évaporation	(°C)	-25	-20	-15	-10	-5	0	5	10	15
40	1 P frigorifique	(Watt)				716	886	1084	1312	1571	1863
	2 P absorbée	(W)				303	315	324	327	322	310
	3 I absorbée	(A)				1.39	1.45	1.48	1.49	1.47	1.41
50	1 P frigorifique	(Watt)					767	931	1114	1319	1548
	2 P absorbée	(W)					352	371	387	400	409
	3 I absorbée	(A)					1.61	1.69	1.77	1.83	1.87
60	1 P frigorifique	(Watt)						779	928	1089	1264
	2 P absorbée	(W)						415	438	460	482
	3 I absorbée	(A)						1.90	2.00	2.10	2.20

© 2020 Tecumseh Products Company
All rights reserved

1 = cooling capacity 2 = power input 3 = current 4 = condensing temperature 5 = evaporating temperature

Nota : Tecumseh se réserve le droit de modifier les informations contenues dans ce document sans préavis.

Note : Tecumseh reserves the right to change information contained in this document without notification.