

# SPECIFICATIONS OF COMPRESSOR

Model No: C-SBN303L8A

Output : 4 HP



Temporary

**Panasonic Appliances Compressor (Dalian) Co., Ltd.**

08-Nov-17

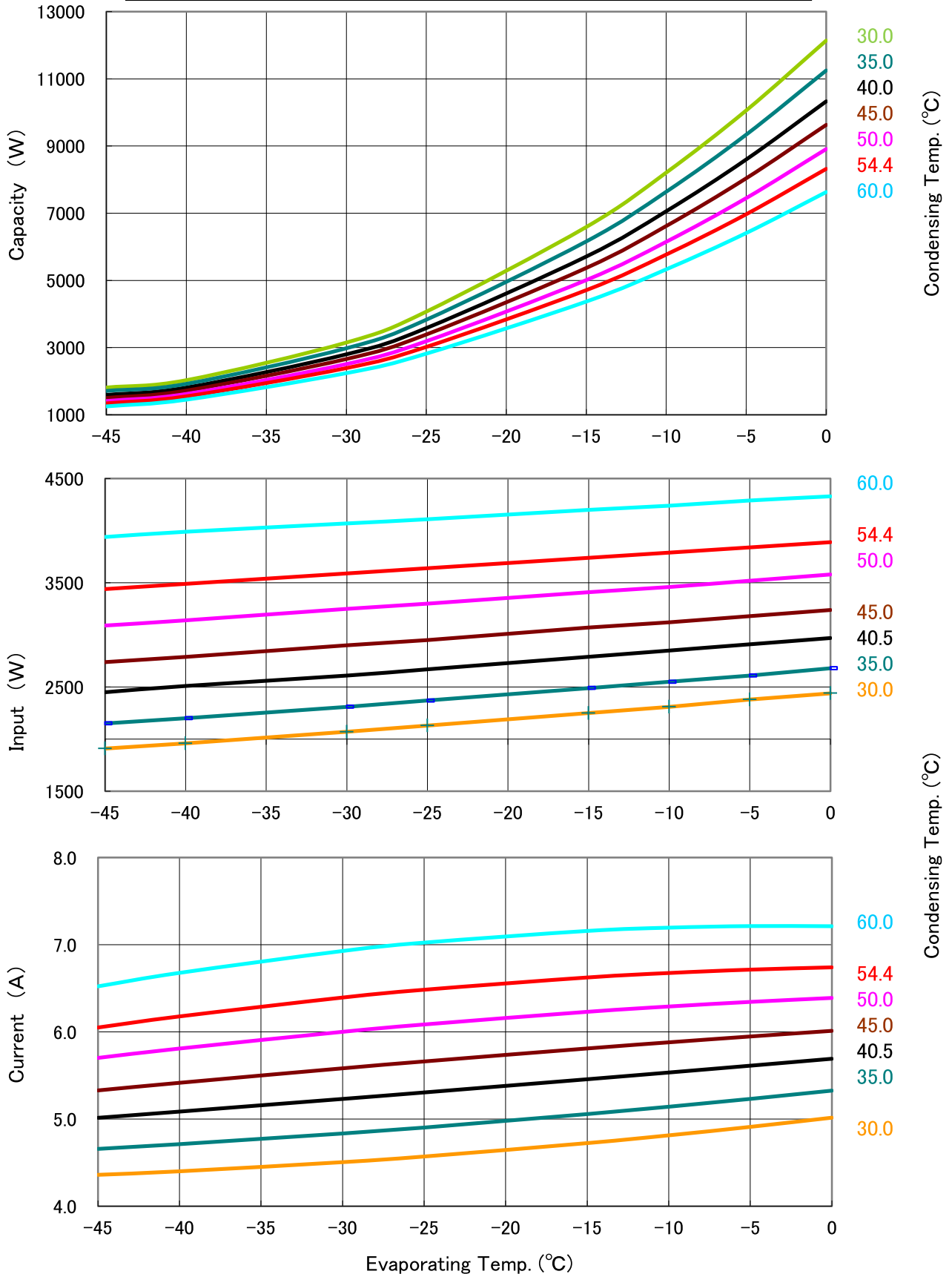
# GENERAL SPECIFICATIONS

Model No:		C-SBN303L8A
<b>Application</b>		
Evaporating Temp Range	(°C)	-40 ~ -5
Refrigerant		R449A
Compressor Cooling		Liquid Injection
<b>Rated Performance</b>		
Capacity	(W)	5010
Input	(W)	3410
Current	(A)	6.2
Revolution	(min <sup>-1</sup> )	2900
Sound Level	(dB(A))	60max
<b>Rating Conditions</b>		
Power Source		3-PH 50Hz 380V
Evaporating Temp	(°C)	-15
Condensing Temp	(°C)	50
Suction Gas Temp	(°C)	18.3
Liquid Temp	(°C)	50
Ambient Temp	(°C)	35.0
<b>Measuring Point of Sound Level</b>		
Distance from the Compressor	(m)	1.0
<b>Compressor</b>		
Design		Hermetic Scroll
Displacement	(cm <sup>3</sup> )	66.8
Suction Line Connection	(Φ mm OD)	22.22
Discharge Line Connection	(Φ mm OD)	12.7
Oil	(ml)	1700 (FV32S)
Mass(Incl.Oil)	(kg)	39
<b>Motor</b>		
Type		3-PH Induction Motor(3IR)
Pole		2
Rated Power Source		3-PH 50Hz 380~415V
Voltage Range	(V)	342~418
Starting Current	(A)	72

**Panasonic Appliances Compressor (Dalian) Co., Ltd.**

# PERFORMANCE CURVE

Code No.	C-SBN303L8A
Power Source	3-PH 50Hz 380V
Condensing Temp.(°C)	30、35、40.5、45、50、54.4、60
Suction Gas Temp(°C)	18.3
Sub Cooled(K)	0
Compressor Cooling	Liquid Injection
Refrigerant	R449A



# PERFORMANCE DATA

Code No.	C-SBN303L8A
Power Source	3-PH 50Hz 380V
Condensing Temp.(°C)	30、35、40.5、45、50、54.4、60
Suction Gas Temp(°C)	18.3
Sub Cooled(K)	0
Compressor Cooling	Liquid Injection
Refrigerant	R449A

Capacity (W)

		Evaporating Temp. (°C)							
		-45	-40	-30	-25	-15	-10	-5	0
Condensing Temp. (°C)	30.0	1,810	2,030	3,150	4,070	6,590	8,210	10,060	12,140
	35.0	1,710	1,920	2,980	3,830	6,160	7,640	9,340	11,250
	40.5	1,590	1,810	2,800	3,580	5,710	7,060	8,600	10,330
	45.0	1,500	1,720	2,660	3,390	5,370	6,620	8,040	9,630
	50.0	1,410	1,620	2,510	3,190	5,010	6,150	7,450	8,910
	54.4	1,340	1,550	2,390	3,020	4,710	5,770	6,970	8,320
	60.0	1,250	1,450	2,240	2,820	4,370	5,330	6,410	7,630

Input (W)

		Evaporating Temp. (°C)							
		-45	-40	-30	-25	-15	-10	-5	0
Condensing Temp. (°C)	30.0	1,910	1,960	2,070	2,130	2,250	2,310	2,380	2,440
	35.0	2,150	2,200	2,310	2,370	2,490	2,550	2,610	2,680
	40.5	2,450	2,510	2,610	2,670	2,790	2,850	2,910	2,970
	45.0	2,740	2,790	2,900	2,950	3,070	3,120	3,180	3,240
	50.0	3,090	3,140	3,250	3,300	3,410	3,460	3,520	3,580
	54.4	3,440	3,490	3,590	3,640	3,740	3,790	3,840	3,890
	60.0	3,940	3,990	4,070	4,110	4,200	4,240	4,290	4,330

Current (A)

		Evaporating Temp. (°C)							
		-45	-40	-30	-25	-15	-10	-5	0
Condensing Temp. (°C)	30.0	4.4	4.4	4.5	4.6	4.7	4.8	4.9	5.0
	35.0	4.7	4.7	4.8	4.9	5.1	5.1	5.2	5.3
	40.5	5.0	5.1	5.2	5.3	5.5	5.5	5.6	5.7
	45.0	5.3	5.4	5.6	5.7	5.8	5.9	5.9	6.0
	50.0	5.7	5.8	6.0	6.1	6.2	6.3	6.3	6.4
	54.4	6.1	6.2	6.4	6.5	6.6	6.7	6.7	6.7
	60.0	6.5	6.7	6.9	7.0	7.2	7.2	7.2	7.2

## Coefficients of Polynomial Formula

	Capacity (W)	Input (W)	Current (A)
C1	1.821149E+04	1.709933E+03	3.815638E+00
C2	6.600521E+02	9.909534E+00	4.597854E-02
C3	-2.287094E+02	5.101717E+00	2.350259E-02
C4	6.881737E+00	5.844669E-02	7.010245E-04
C5	-7.968209E+00	2.372393E-01	-7.843358E-04
C6	8.629566E-01	6.428682E-01	5.552000E-04
C7	1.174384E-03	-1.175551E-04	-3.755415E-07
C8	-7.275741E-02	-1.109126E-03	-1.807087E-05
C9	1.955687E-02	-4.321095E-03	7.661016E-09
C10	1.426928E-08	2.084097E-08	7.047256E-12

Note: The polynomial coefficients subject to change without notice.

$$X = C1 + C2*(S) + C3*D + C4*(S^2) + C5*(S*D) + C6*(D^2) + C7*(S^3) + C8*(D*S^2) + C9*(S*D^2) + C10*(D^3)$$

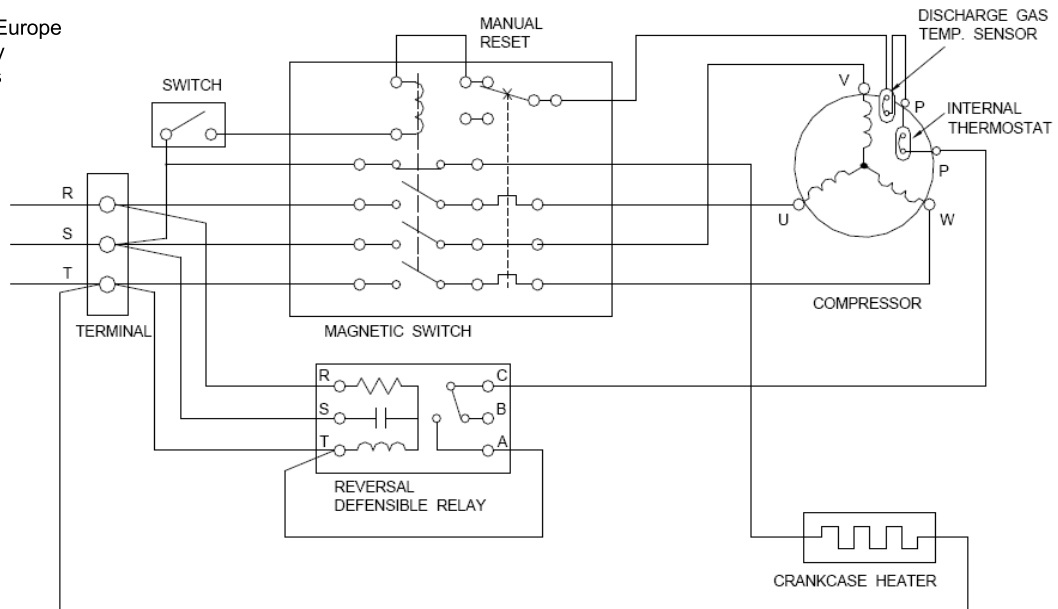
X—CAPACITY(W) OR POWER(W) OR CURRENT(A)

S—EVAPORATING TEMP, °C

D—CONDENSING TEMP, °C

## WIRING DIAGRAM

C-SB Series 3 phase  
2.6-3.75kw  
chinese and Europe  
power supply  
specifications  
models



# Operating Envelope

**Suction Gas Temp(°C): 18.3°C**

**Liquid Injection**

**Refrigerant: R449A**

