

NEK2125U



ENGINEERING CODE
861CA51



REFRIGERANT
R-290



POWER SUPPLY
220-240 V 50 Hz



APPLICATION
LBP



MOTOR TYPE
CSIR



STANDARD
EN12900



COOLING CAPACITY
199 W



EFFICIENCY
1.11 W/W



DATA

GENERAL DATA

| | |
|------------------------|-----------------------------------|
| Model | NEK2125U |
| Type | Hermetic Reciprocating |
| Technology | ON/OFF |
| Compressor Application | LBP |
| Expansion Device | Capillary Tube or Expansion Valve |
| Compressor Cooling | Fan/220 |
| HP | 1/3 |
| Starting Torque | HST |
| Plant | SLOVAKIA |

ELECTRICAL DATA

| | |
|--------------------------|----------------|
| Start Winding Resistance | 28.9 Ω at 25°C |
| Run Winding Resistance | 6.8 Ω at 25°C |

MECHANICAL DATA

| | |
|---------------|----------------------|
| Displacement | 7.28 cm ³ |
| Oil Charge | 350 ml |
| Oil Type | AB |
| Oil Viscosity | ISO32 |
| Weight | 10.4 Kg |

ELECTRICAL COMPONENTS

| | |
|-----------------------------|----------------|
| Start Capacitor | 53-64 µf/330 V |
| CSR CSIR BOX | No |
| Starting Device Type | RELAY |
| Starting Device Description | MTRPH0027-59* |
| Overload Protection | T0525/G6 |

PERFORMANCE

TESTED CONDITIONS

| | |
|-------------------------|---------|
| Tested Refrigerant | R-290 |
| Tested Application | LBP |
| Tested Standard | EN12900 |
| Tested Cooling | Fan |
| Tested Voltage | 220 V |
| Refrigerant Temperature | Dew |

RATED POINTS

| Condensing Temperature °C | Evaporating Temperature °C | Cooling Capacity W | Efficiency W/W | Power Consumption W | Current A | Gas Flow Rate kg/h |
|---------------------------|----------------------------|--------------------|----------------|---------------------|-----------|--------------------|
| 40 | -35 | 199 | 1.11 | 180 | - | 2.28 |

Test Condition: Subcooling 0 K, Return Gas 20 °C. Data are an indication of performance based simulation.

PERFORMANCE CURVE

Condensing Temperature 35°C

| Evaporating Temperature °C | Cooling Capacity W | Efficiency W/W | Power Consumption W | Current A | Gas Flow Rate kg/h |
|----------------------------|--------------------|----------------|---------------------|-----------|--------------------|
| -40 | 178 | 1.13 | 157 | - | 1.95 |
| -35 | 215 | 1.22 | 177 | - | 2.37 |
| -30 | 263 | 1.34 | 196 | - | 2.89 |
| -25 | 323 | 1.50 | 215 | - | 3.56 |
| -20 | 400 | 1.73 | 231 | - | 4.43 |
| -15 | 496 | 2.04 | 244 | - | 5.53 |
| -10 | 616 | 2.45 | 251 | - | 6.91 |

Test Condition: Subcooling 0 K, Return Gas 20 °C. Data are an indication of performance based simulation.

PERFORMANCE CURVE

Condensing Temperature 45°C

| Evaporating Temperature °C | Cooling Capacity W | Efficiency W/W | Power Consumption W | Current A | Gas Flow Rate kg/h |
|----------------------------|--------------------|----------------|---------------------|-----------|--------------------|
| -40 | 149 | 0.93 | 160 | - | 1.79 |
| -35 | 182 | 1.00 | 181 | - | 2.19 |
| -30 | 223 | 1.09 | 204 | - | 2.69 |
| -25 | 275 | 1.22 | 226 | - | 3.33 |
| -20 | 343 | 1.38 | 248 | - | 4.17 |
| -15 | 428 | 1.60 | 268 | - | 5.24 |
| -10 | 535 | 1.88 | 284 | - | 6.59 |

Test Condition: Subcooling 0 K, Return Gas 20 °C. Data are an indication of performance based simulation.

PERFORMANCE CURVE

Condensing Temperature 55°C

| Evaporating Temperature °C | Cooling Capacity W | Efficiency W/W | Power Consumption W | Current A | Gas Flow Rate kg/h |
|----------------------------|--------------------|----------------|---------------------|-----------|--------------------|
| -30 | 182 | 0.89 | 205 | - | 2.44 |
| -25 | 226 | 0.98 | 231 | - | 3.06 |
| -20 | 284 | 1.10 | 257 | - | 3.86 |
| -15 | 359 | 1.27 | 283 | - | 4.90 |
| -10 | 453 | 1.47 | 307 | - | 6.21 |

Test Condition: Subcooling 0 K, Return Gas 20 °C. Data are an indication of performance based simulation.

ENVELOPE



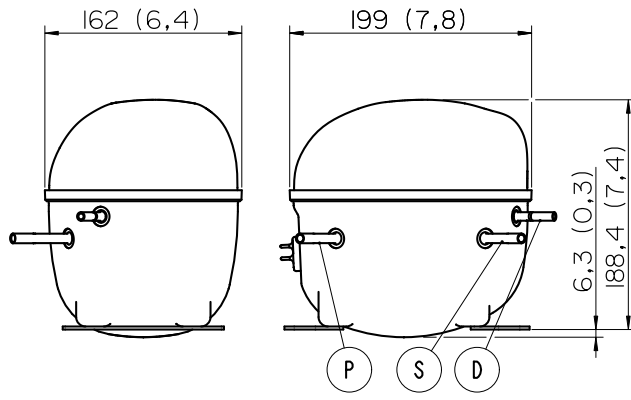
External

EXTERNAL CHARACTERISTICS

| | | | |
|------------------|--------------------------|--------------|-----------------|
| Base Plate | | SMALL | |
| Tray Holder | | NO | |
| Connector | Internal Diameter | Shape | Material |
| Suction | 8.1 mm | SLANTED 42° | COPPER |
| Discharge | 6.1 mm | STRAIGHT | COPPER |

EXTERNAL DIMENSIONS

SHELL



BASE



FENCE

