

EMY3109Z



ENGINEERING CODE
170AA77



REFRIGERANT
R-134a



POWER SUPPLY
220-240 V 50 Hz



APPLICATION
L/MBP



MOTOR TYPE
RSIR



STANDARD
EN12900



COOLING CAPACITY
53 W



EFFICIENCY
0.99 W/W



DATA

GENERAL DATA

Model	EMY3109Z
Type	Hermetic Reciprocating
Technology	ON/OFF
Compressor Application	L/MBP
Expansion Device	Capillary Tube
Compressor Cooling	Static/220
HP	1/10
Starting Torque	LST
Plant	SLOVAKIA

ELECTRICAL DATA

Start Winding Resistance	20.2 Ω at 25°C
Run Winding Resistance	30.8 Ω at 25°C
Locked Rotor Amperage (LRA) 50Hz	4 A

MECHANICAL DATA

Displacement	3.97 cm ³
Oil Charge	150 ml
Oil Type	ESTER
Oil Viscosity	ISO10
Weight	7.3 Kg

ELECTRICAL COMPONENTS

CSR CSIR BOX	No
Starting Device Type	PTC
Starting Device Description	V230
Overload Protection	AE64FS

PERFORMANCE

TESTED CONDITIONS

Tested Refrigerant	R-134a
Tested Application	LBP
Tested Standard	EN12900
Tested Cooling	Static
Tested Voltage	220 V
Max Refrigerant Charge	250 g
Refrigerant Temperature	Dew

RATED POINTS

Condensing Temperature °C	Evaporating Temperature °C	Cooling Capacity W	Efficiency W/W	Power Consumption W	Current A	Gas Flow Rate kg/h
40	-35	53	0.99	54	-	1.17

Test Condition: Subcooling 0 K, Return Gas 20 °C. Data are an indication of performance based simulation.

PERFORMANCE CURVE

Condensing Temperature 35°C

Evaporating Temperature °C	Cooling Capacity W	Efficiency W/W	Power Consumption W	Current A	Gas Flow Rate kg/h
-35	59	1.10	54	-	1.23
-30	81	1.29	63	-	1.69
-25	108	1.49	73	-	2.27
-20	142	1.70	83	-	3.00
-15	183	1.94	94	-	3.88
-10	232	2.21	105	-	4.93
-5	289	2.52	115	-	6.18
0	355	2.87	123	-	7.64

Test Condition: Subcooling 0 K, Return Gas 20 °C. Data are an indication of performance based simulation.

PERFORMANCE CURVE

Condensing Temperature 45°C

Evaporating Temperature °C	Cooling Capacity W	Efficiency W/W	Power Consumption W	Current A	Gas Flow Rate kg/h
-35	48	0.89	54	-	1.10
-30	66	1.05	63	-	1.52
-25	90	1.21	75	-	2.07
-20	120	1.37	88	-	2.77
-15	156	1.54	102	-	3.62
-10	199	1.72	116	-	4.65
-5	250	1.91	131	-	5.87
0	310	2.13	146	-	7.31

Test Condition: Subcooling 0 K, Return Gas 20 °C. Data are an indication of performance based simulation.

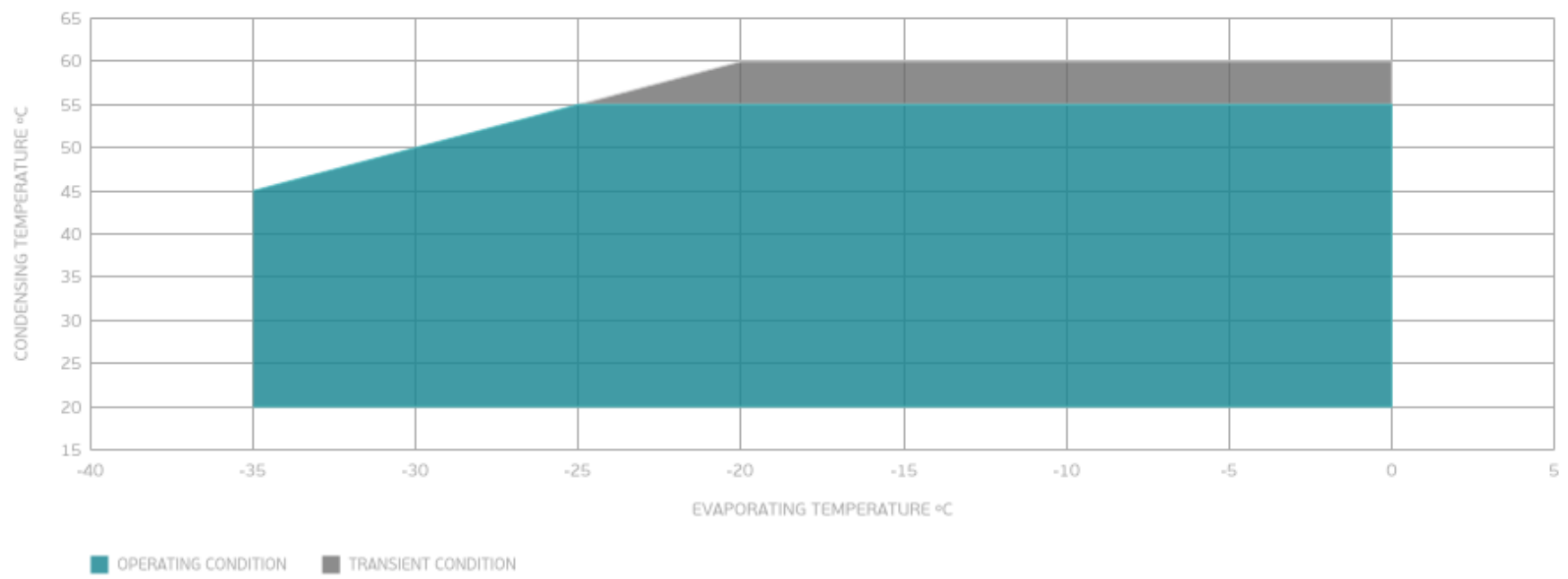
PERFORMANCE CURVE

Condensing Temperature 55°C

Evaporating Temperature °C	Cooling Capacity W	Efficiency W/W	Power Consumption W	Current A	Gas Flow Rate kg/h
-25	72	0.98	74	-	1.85
-20	97	1.11	88	-	2.50
-15	129	1.23	104	-	3.32
-10	166	1.36	122	-	4.31
-5	211	1.49	141	-	5.51
0	263	1.64	161	-	6.92

Test Condition: Subcooling 0 K, Return Gas 20 °C. Data are an indication of performance based simulation.

ENVELOPE



External

EXTERNAL CHARACTERISTICS

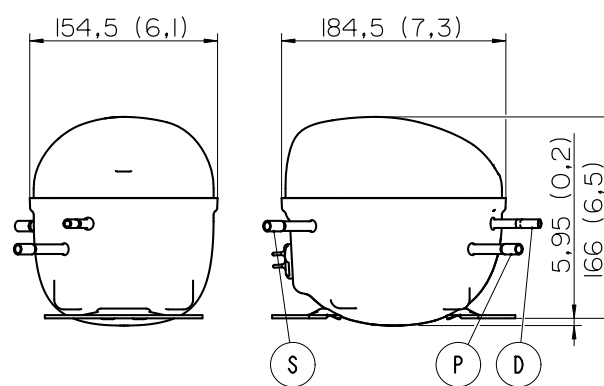
Base Plate SMALL

Tray Holder YES

Connector	Internal Diameter	Shape	Material
Suction	6.1 mm	SLANTED 42°	COPPER
Discharge	4.94 mm	STRAIGHT	COPPER
Process	6.1 mm	SLANTED 46°	COPPER

EXTERNAL DIMENSIONS

SHELL



BASE



FENCE

