

# SC12DL

## MBP/HBP Compressor

### R407C

### 220-240V 50Hz

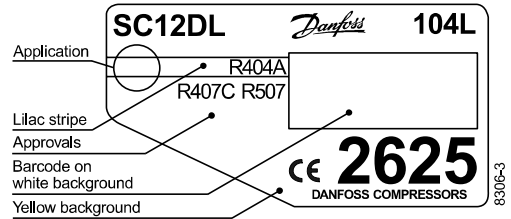
Data Sheet (Replaces CF.54.W1.02)

#### General

Compressor	SC12DL
Code number	104L2625

#### Application

Application	MBP/HBP	
Evaporating temperature range	°C	-15 to 15
Voltage range	V/Hz	198 - 254 /50
Motor type	CSIR	
Max. ambient temperature	°C	38
Comp. cooling at ambient temp.	32°C	F <sub>2</sub>
	38°C	F <sub>2</sub>



- S = Static cooling normally sufficient
- O = Oil cooling
- F<sub>1</sub> = Fan cooling 1.5 m/s  
(compressor compartment temperature equal to ambient temperature)
- F<sub>2</sub> = Fan cooling 3.0 m/s necessary

#### Design

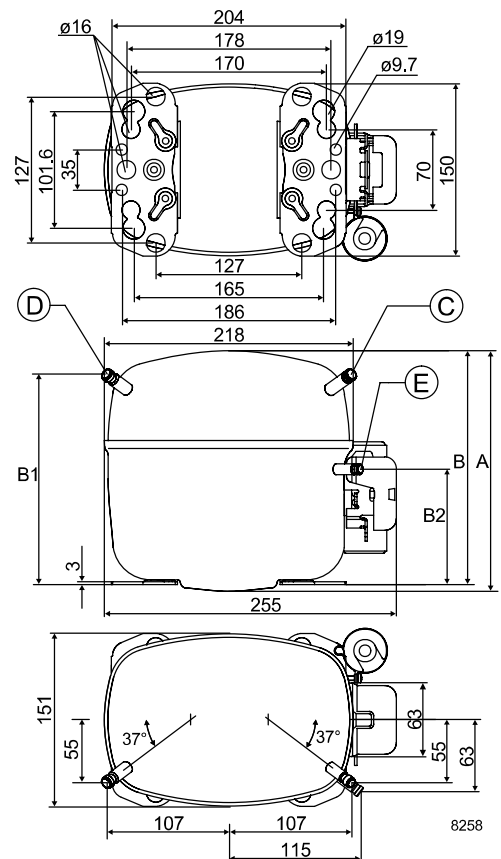
Displacement	cm <sup>3</sup>	12.87
Oil quantity	cm <sup>3</sup>	600
Maximum refrigerant charge	g	1300
Free gas vol. in compressor	cm <sup>3</sup>	1460
Weight without electrical equipment	kg	13.6

#### Motor

Motor size	watt	495
LRA (rated after 4 sec. UL984) HST	A	18.6
Cut-in current HST	A	18.6
Resistance, main and start winding (25°C)	Ω	3.7/14.1
Approvals	EN 60335-2-34	

#### Dimensions

Height	mm	A	219
		B	213
		B1	193
		B2	110
Suction connector	location/I.D. mm	C	10.2 ±0.09
Process connector	location/I.D. mm	D	6.2 ±0.09
Discharge connector	location/I.D. mm	E	6.2 ±0.09
Compressors on a pallet	pcs.	80	



**Capacity (EN 12900/CECOMAF) watt**

Comp.°C	-15	-10	-5	0	5	7.2	10	15
SC12DL	632	831	1065	1340	1660	1817	2031	2456

**Capacity (ASHRAE) watt**

Comp.°C	-15	-10	-5	0	5	7.2	10	15
SC12DL	677	891	1143	1438	1783	1951	2182	2642

**Power consumption watt**

Comp.°C	-15	-10	-5	0	5	7.2	10	15
SC12DL	456	512	562	606	643	658	675	700

**Current consumption A**

Comp.°C	-15	-10	-5	0	5	7.2	10	15
SC12DL	3.11	3.31	3.49	3.65	3.79	3.85	3.91	4.01

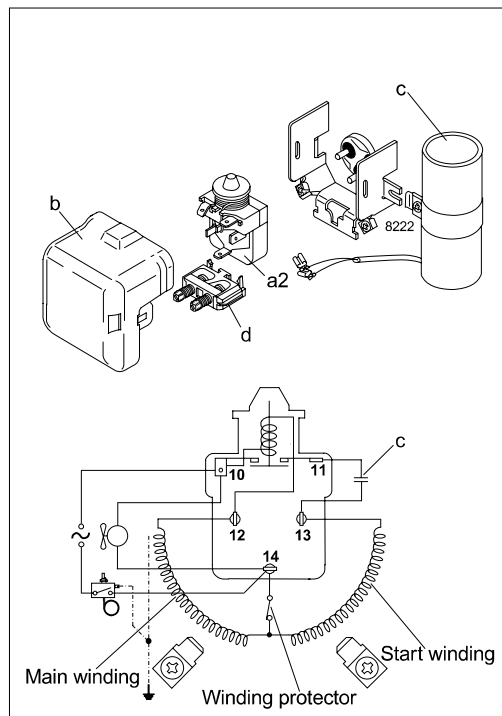
**COP (EN 12900/CECOMAF) W/W**

Comp.°C	-15	-10	-5	0	5	7.2	10	15
SC12DL	1.39	1.62	1.89	2.21	2.58	2.76	3.01	3.51

**COP (ASHRAE) W/W**

Comp.°C	-15	-10	-5	0	5	7.2	10	15
SC12DL	1.48	1.74	2.03	2.37	2.77	2.97	3.23	3.77

Test conditions	EN 12900/CECOMAF	ASHRAE
Condensing temperature	45°C	45°C
Ambient and suction gas temp.	32°C	32°C
Liquid temperature	no subcooling	32°C
Fan cooling F <sub>2</sub> , 220V 50Hz		



**Accessories**

Devices	Fig.	SC12DL
Starting relay	a2	117U6019
Cover	b	103N2009
Starting capacitor 80 µF	c	117U5017
Cord relief	d	103N1004
Mounting accessories		
Bolt joint for one compressor		118-1917
Bolt joint in quantities		118-1918
Snap-on in quantities		118-1919

Danfoss can accept no responsibility for possible errors in catalogues, brochures and other printed material. Danfoss reserves the right to alter its products without notice. This also applies to products already on order provided that such alterations can be made without subsequential changes being necessary in specifications already agreed. All trademarks in this material are property of the respective companies. Danfoss and the Danfoss logotype are trademarks of Danfoss A/S. All rights reserved.

