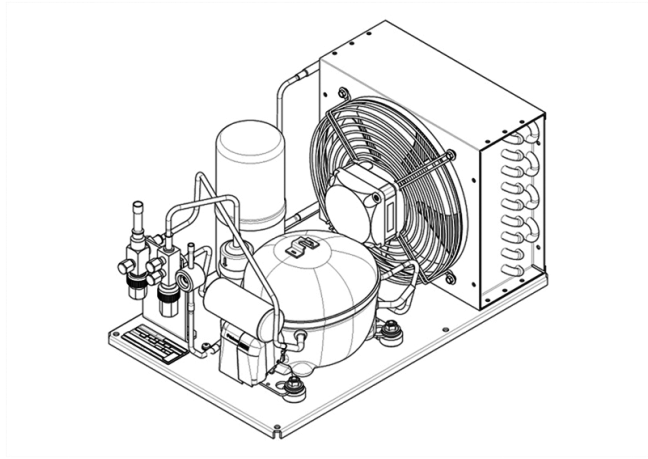


UEMT6170Z



CE



ENGINEERING CODE
594RAL812AA

REFRIGERANT
R-134a

POWER SUPPLY
220-240 V 50 Hz

APPLICATION
HBP

MOTOR TYPE
CSIR

STANDARD
EN13215_RG20

COOLING CAPACITY
433 W

EFFICIENCY
1.66 W/W

DATA

GENERAL DATA

Model	UEMT6170Z
-------	-----------

ELECTRICAL DATA

Locked Rotor Amperage (LRA)	10.40 A
-----------------------------	---------

Rated Load Amperage (RLA)	2.13 A
---------------------------	--------

Maximum Overcurrent Protection (MOP)	4.79 A
--------------------------------------	--------

Minimum Current Ampacity (MCA)	2.7 A
--------------------------------	-------

ACCESSORIES

Dryer	FILTER DRYER 1/4" SAE	2730019
-------	-----------------------	---------

Sightglass	SIGHT GLASS 1/4" SAE	2464249
------------	----------------------	---------

Discharge valve	SOLDER 1/4"	2110086
-----------------	-------------	---------

Suction valve	SOLDER 3/8"	2110060
---------------	-------------	---------

CONDENSING COMPONENTS

Compressor	EMT6170Z	M/HBP
------------	----------	-------

Condenser	3R9T	2451205
-----------	------	---------

Refrigerant	R-134a
-------------	--------

Expansion Device	C-V
------------------	-----

Fan Blade Diameter	230 mm
--------------------	--------

Fankit	10W 230/31/5B	1996580
--------	---------------	---------

MECHANICAL DATA

Air Flow	420 m ³ /h
Height	254 mm
Receiver	1.1 L
Shaft Power	10 W
Weight	18 Kg
Width	302 mm
Length	480 mm

PERFORMANCE

TESTED CONDITIONS

Tested Refrigerant	R-134a
Tested Application	HBP
Tested Standard	EN13215_RG20

RATED POINTS

Ambient Temperature °C	Evaporating Temperature °C	Cooling Capacity W	Efficiency W/W	Consumo de Potencia W
32	-10	433	1.66	261

Test Condition: Subcooling 3 K, Return Gas 20 °C.

PERFORMANCE CURVE

Ambient Temperature 25°C

Evaporating Temperature °C	Cooling Capacity W	Efficiency W/W	Consumo de Potencia W
-15	365	1.58	231
-5	561	1.97	284
0	666	2.10	317
5	776	2.19	354
10	894	2.26	396

Test Condition: Subcooling 3 K, Return Gas 20 °C.

PERFORMANCE CURVE

Ambient Temperature 32°C

Evaporating Temperature °C	Cooling Capacity W	Efficiency W/W	Consumo de Potencia W
-15	351	1.48	238
-5	522	1.80	289
0	618	1.92	322
5	723	2.01	359
10	835	2.09	400

Test Condition: Subcooling 3 K, Return Gas 20 °C.

PERFORMANCE CURVE

Ambient Temperature 43°C

Evaporating Temperature °C	Cooling Capacity W	Efficiency W/W	Consumo de Potencia W
-15	284	1.15	247
-5	426	1.40	305
0	512	1.50	341
5	610	1.60	382

Test Condition: Subcooling 3 K, Return Gas 20 °C.

ENVELOPE



EXTERNAL DIMENSIONS

