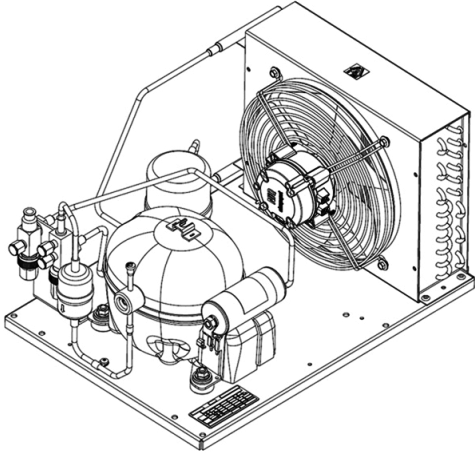


UEMX6210U



ENGINEERING CODE
591AAE712AA



REFRIGERANT
R-290



POWER SUPPLY
220-240 V 50 Hz



APPLICATION
HBP



MOTOR TYPE
CSIR



STANDARD
EN13215_RG20

CE



COOLING CAPACITY
751 W



EFFICIENCY
2.24 W/W

DATA

GENERAL DATA

Model UEMX6210U

ELECTRICAL DATA

Locked Rotor Amperage (LRA) 16.00 A

Rated Load Amperage (RLA) 3.50 A

Maximum Overcurrent Protection (MOP) 7.88 A

Minimum Current Ampacity (MCA) 4.4 A

ACCESSORIES

Dryer 1/4" R290 2730021

Sightglass MIAM06 2464031

Discharge valve VER-VER WELD 1/4" 2110086

Suction valve VER-VER WELD 3/8" 2110060

CONDENSING COMPONENTS

Compressor EMX6210U M/HBP

Condenser 3R12T 2451262

Refrigerant R-290

Expansion Device C-V

Fan Blade Diameter 230 mm

MECHANICAL DATA

Height	264 mm
Receiver	0.3 L
Shaft Power	null W
Weight	16 Kg
Width	340 mm
Length	465 mm

PERFORMANCE

TESTED CONDITIONS

Tested Refrigerant	R-290
Tested Application	HBP
Tested Standard	EN13215_RG20

RATED POINTS

Ambient Temperature °C	Evaporating Temperature °C	Cooling Capacity W	Efficiency W/W	Consumo de Potencia W
32	-10	751	2.24	336

Test Condition: Subcooling 3 K, Return Gas 20 °C.

PERFORMANCE CURVE

Ambient Temperature 25°C

Evaporating Temperature °C	Cooling Capacity W	Efficiency W/W	Consumo de Potencia W
-20	549	2.02	272
-15	663	2.23	297
-5	909	2.61	348
0	1048	2.80	374
5	1201	3.01	399
10	1373	3.23	425

Test Condition: Subcooling 3 K, Return Gas 20 °C.

PERFORMANCE CURVE

Ambient Temperature 32°C

Evaporating Temperature °C	Cooling Capacity W	Efficiency W/W	Consumo de Potencia W
-20	535	1.90	282
-15	641	2.08	309
-5	870	2.39	364
0	1001	2.55	393
5	1147	2.71	423
10	1312	2.90	453

Test Condition: Subcooling 3 K, Return Gas 20 °C.

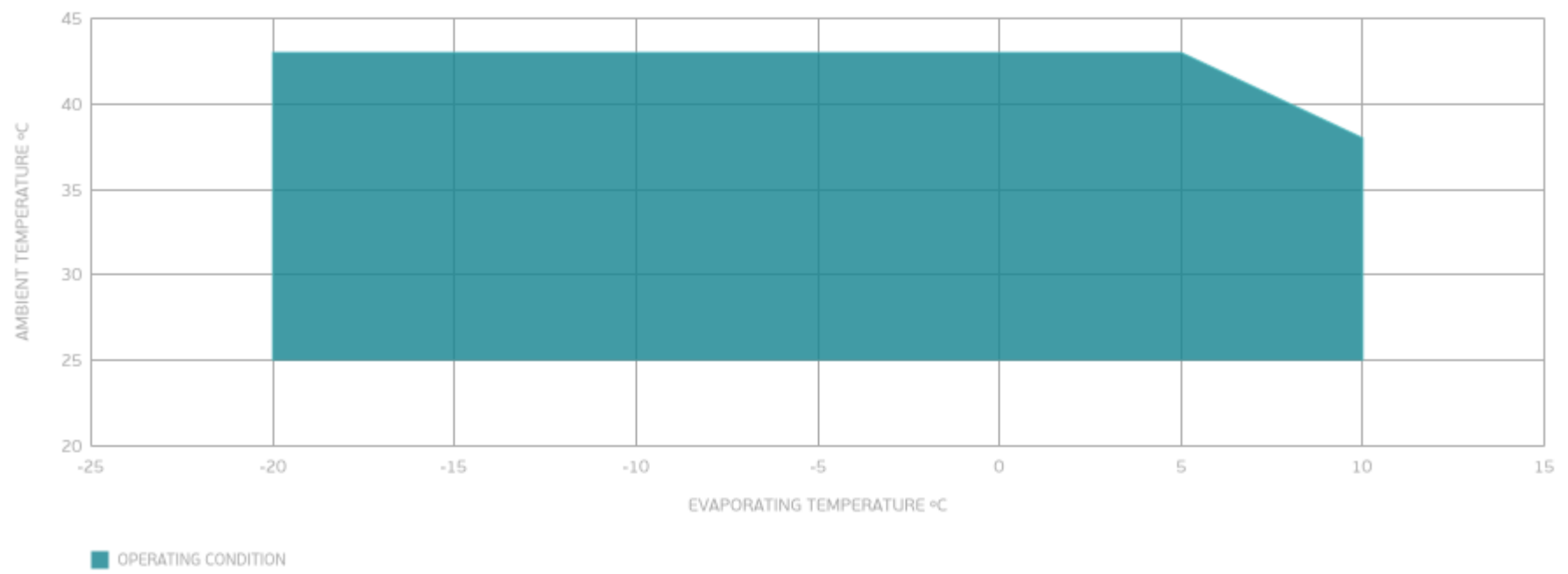
PERFORMANCE CURVE

Ambient Temperature 43°C

Evaporating Temperature °C	Cooling Capacity W	Efficiency W/W	Consumo de Potencia W
-20	446	1.44	309
-15	525	1.53	343
-5	703	1.69	417
0	809	1.77	457
5	932	1.87	498

Test Condition: Subcooling 3 K, Return Gas 20 °C.

ENVELOPE



EXTERNAL DIMENSIONS

