



Silensys®

LBP

R452A

| MODELL | ABGEBENE KÄLTELEISTUNG 32°C Umgebungst., 10 K Überhitzung, 3 K Unterkühlung, Mittel/Mittel Verdampfungstemperatur (°C): | | | | | | ABGEG. KÄLTEL. EN 13215 bis -35 °C | | Schall- druck dB (A) bei 10 m | Volumen- strom Lüfter m³/h | Vol. Be- häl. l | Durchm. Leitung | | Netto-/ Brutto- gew. kg | Ab mess. | Maximaler Strom gemäß Spannungs- code | | |
|-------------|--|------|------|-------|-------|-------|---|--------------|---|-------------------------------------|--------------------------|--------------------|-----------------------|-------------------------------|-------------|---|------|-------------------|
| | -35° | -30° | -25° | -20° | -15° | -10° | Leist. (W) | COP (W/W) | | | | Saug. | Flüssig- keitslig. | | | FZ | KZ | TZ |
| SILRG2426Z | 315 | 412 | 530 | 671 | 836 | 1028 | 356 | 1.03 | 26 | 1650 | 0.75 | 3/8" | 1/4" | 61/78 | S | 3.7 | na | na |
| SILRG2432Z | 387 | 504 | 642 | 805 | 994 | 1211 | 439 | 1.08 | 27 | 1650 | 0.75 | 3/8" | 1/4" | 61/78 | S | 4.5 | na | na |
| SILAJ2432Z | 350 | 506 | 697 | 927 | 1198 | 1511 | 392 | 0.88 | 26 | 1650 | 1.50 | 1/2" | 1/4" | 71/88 | S | 6.2 | na | na |
| SILAJ2440Z | 429 | 601 | 806 | 1048 | 1331 | 1662 | 484 | 0.95 | 26 | 1650 | 1.50 | 1/2" | 1/4" | 70/87 | S | 6.0 | na | na |
| SILRG2446Z | 523 | 682 | 874 | 1101 | 1367 | 1674 | 594 | 1.12 | 27 | 1650 | 1.50 | 3/8" | 1/4" | 63/80 | S | 5.7 | na | na |
| SILAJ2446Z | 564 | 761 | 996 | 1276 | 1607 | 1996 | 643 | 1.03 | 26 | 1650 | 1.50 | 1/2" | 3/8" | 72/89 | S | 8.5 | na | 3.2 |
| SILAJ2464Z | 765 | 1026 | 1337 | 1699 | 2116 | 2589 | 867 | 1.02 | 27 | 1650 | 1.50 | 1/2" | 3/8" | 74/91 | S | 10.3 | na | 4.1 |
| SILFH2480Z | 1012 | 1403 | 1847 | 2345 | 2904 | 3532 | 1142 | 1.05 | 39 | 1650 | 2.35 | 5/8" | 1/2" | 74/95 | M | 17.3 | 11.7 | 6.6 |
| SILFH2511Z | 1350 | 1866 | 2481 | 3202 | 4037 | 4994 | 1415 | 0.98 | 44 | 2700 | 2.35 | 5/8" | 1/2" | 71/92 | M | 26.0 | 14.4 | 8.3 |
| SILAG2513Z | 1351 | 1962 | 2665 | 3464 | 4365 | 5387 | 1518 | 0.97 | 40 | 2970 | 3.90 | 7/8" | 1/2" | 103/119 | M | na | 20.4 | 9.3 |
| SILAG2516Z | 1756 | 2530 | 3424 | 4436 | 5566 | 6821 | 1970 | 1.16 | 38 | 2970 | 3.90 | 7/8" | 1/2" | 128/144 | M | na | 25.3 | 10.3 |
| SILAG2519Z | 2055 | 2891 | 3855 | 4945 | 6158 | 7505 | 2321 | 1.61* | na | 2970 | 3.90 | 7/8" | 1/2" | 108/129 | M | na | na | 11.2 |
| SILAG2522Z | 2349 | 3250 | 4295 | 5486 | 6835 | 8366 | 2669 | 1.62* | 40 | 2700 | 3.90 | 7/8" | 1/2" | 112/128 | M | na | 30.2 | 14.2 |
| SILAG2525Z | 2614 | 3591 | 4695 | 5930 | 7306 | 8850 | 2971 | 1.60* | 44 | 2700 | 3.90 | 7/8" | 1/2" | 112/128 | M | na | 26.7 | 14.1 |
| SILAGD2532Z | 3488 | 5112 | 7061 | 9332 | 11903 | 14726 | 3900 | 1.65* | 43 | 6600 | 9.50 | 1 1/8" | 5/8" | 236/257 | XL | na | na | 22.0 |
| SILAGD2538Z | 3972 | 5678 | 7728 | 10115 | 12803 | 15727 | 4491 | 1.66* | na | 6600 | 9.50 | 1 1/8" | 5/8" | 236/257 | XL | na | na | 22.0 |
| SILSH2534Z | 4315 | 5849 | 7647 | 9729 | 12110 | 14812 | 4425 | 1.71* | 44 | 5000 | 12.00 | 1 3/8" | 5/8" | 244/265 | XL | na | na | 16.2 ^c |
| SILAGD2544Z | 5002 | 6883 | 9147 | 11793 | 14795 | 18097 | 5725 | 1.72* | 43 | 6600 | 9.50 | 1 1/8" | 5/8" | 252/273 | XL | na | na | 28.0 |

Angabe des saisonalen COP / k. A.: keine Angabe /^a Spannungscodes XG, ^b Spannungscodes XG, ^c Spannungscodes YZ, ^d Spannungscodes MZ



LBP
R404A

Silensys®

| MODELL | ABGEBEBENE KÄLTELEISTUNG 32 °C Umgebungst., 10 K Überhitzung, 3 K Unterkühlung Verdampfungstemperatur (°C): | | | | | | ABGEG. KÄLTEL. EN 13215 bis -35 °C | | Schall- druck dB (A) bei 10 m | Volumen- strom Lüfter m³/h | Vol. Be- häl. l | Durchm. Leitung | | Netto-/ Brutto- gew. kg | Ab mess. | Maximaler Strom gemäß Spannungs- code | | |
|---------------|--|------|------|-------|-------|-------|---|--------------|---|-------------------------------------|--------------------------|--------------------|-----------------------|-------------------------------|-------------|---|------|-------------------|
| | -35° | -30° | -25° | -20° | -15° | -10° | Leist. (W) | COP (W/W) | | | | Saug. | Flüssig- keitslsg. | | | FZ | KZ | TZ |
| SILRG2426Z | 268 | 359 | 470 | 601 | 754 | 930 | 331 | 0.89 | 26 | 1650 | 0.75 | 3/8" | 1/4" | 61/78 | S | 3.7 | na | na |
| SILRG2432Z | 351 | 457 | 586 | 739 | 916 | 1116 | 435 | 0.98 | 27 | 1650 | 0.75 | 3/8" | 1/4" | 61/88 | S | 4.5 | na | na |
| SILAJ2432Z | 380 | 531 | 714 | 931 | 1184 | 1476 | 469 | 1.03 | 26 | 1650 | 1.50 | 1/2" | 1/4" | 71/87 | S | 6.2 | na | na |
| SILAJ2440Z | 449 | 611 | 807 | 1037 | 1306 | 1618 | 555 | 1.01 | 26 | 1650 | 1.50 | 1/2" | 1/4" | 70/80 | S | 6.0 | na | na |
| SILRG2446Z | 467 | 612 | 786 | 992 | 1231 | 1506 | 579 | 1.02 | 27 | 1650 | 1.50 | 3/8" | 1/4" | 63/92 | S | 5.7 | na | na |
| SILAJ2446Z | 573 | 768 | 999 | 1270 | 1586 | 1951 | 712 | 1.07 | 26 | 1650 | 1.50 | 1/2" | 3/8" | 72/91 | S | 8.5 | na | 3.2 |
| SILAJ2464Z | 774 | 1033 | 1337 | 1688 | 2087 | 2532 | 957 | 1.09 | 27 | 1650 | 1.50 | 1/2" | 3/8" | 74/91 | S | 10.3 | na | 4.1 |
| SILFH2480Z | 1056 | 1429 | 1851 | 2324 | 2853 | 3441 | 1311 | 1.11 | 39 | 1650 | 2.35 | 5/8" | 1/2" | 74/91 | M | 17.3 | 11.7 | 6.6 |
| SILFH2511Z | 1357 | 1867 | 2472 | 3177 | 3988 | 4912 | 1688 | 1.13 | 44 | 2700 | 2.35 | 5/8" | 1/2" | 71/124 | M | 26.0 | 14.4 | 8.3 |
| SILAG2513Z | 1380 | 1974 | 2657 | 3427 | 4285 | 5238 | 1726 | 1.01 | 40 | 2970 | 3.90 | 7/8" | 1/2" | 103/144 | M | na | 20.4 | 9.3 |
| SILAG2516Z | 1786 | 2535 | 3409 | 4400 | 5498 | 6690 | 2225 | 1.67* | 38 | 2970 | 3.90 | 7/8" | 1/2" | 128/124 | M | na | 25.3 | 10.3 |
| SILAG2519Z | 2030 | 2816 | 3731 | 4768 | 5913 | 7153 | 2540 | 1.67* | na | 2970 | 3.90 | 7/8" | 1/2" | 108/133 | M | na | na | 11.2 |
| SILAG2522Z | 2396 | 3275 | 4295 | 5454 | 6749 | 8180 | 2991 | 1.70* | 40 | 2700 | 3.90 | 7/8" | 1/2" | 112/128 | M | na | 30.2 | 14.2 |
| SILAG2525Z | 2619 | 3554 | 4614 | 5794 | 7092 | 8510 | 3276 | 1.66* | 44 | 2700 | 3.90 | 7/8" | 1/2" | 112/252 | M | na | 26.7 | 14.1 |
| SILAGD2532Z | 3508 | 5096 | 7003 | 9220 | 11715 | 14422 | 4378 | 1.73* | 43 | 6600 | 9.50 | 1"1/8" | 5/8" | 236/257 | XL | na | na | 22.0 |
| SILSH2534Z-YZ | 4406 | 5880 | 7583 | 9525 | 11716 | 14173 | 4950 | 1.86* | 44 | 5000 | 12.00 | 1"3/8" | 5/8" | 244/265 | XL | na | na | 16.2 ^b |
| SILAGD2538Z | 3999 | 5676 | 7686 | 10014 | 12613 | 15397 | 5009 | 1.74* | na | 6600 | 9.50 | 1"1/8" | 5/8" | 236/272 | XL | na | na | 22.0 |
| SILAGD2544Z | 4551 | 6328 | 8453 | 10905 | 13620 | 16485 | 5710 | 1.76* | 43 | 6600 | 9.50 | 1"1/8" | 5/8" | 252/286 | XL | na | na | 28.0 |

 Angabe des saisonalen COP / k. A.: keine Angabe / ^a Spannungscodes XZ, ^b Spannungscodes XG, ^c Spannungscodes YZ, ^d Spannungscodes MZ

Zu Informationszwecken, Kälteleistung der Kältemittel R449A und R448A: Am Verdampfungspunkt To = -30 °C, SH 10K, den Multiplikator 0,94 auf die für R404A angegebenen Kälteleistungen anwenden.





Silensys®

MHBP

R452A

| MODELL | ABGEGEBENE KÄLTELEISTUNG 32°C Umgebungst., 10 K Überhitzung, 3 K Unterkühlung, Mittel/Mittel Verdampfungstemperatur (°C): | | | | | | | ABGEG. KÄLTEL. EN 13215 bis -35 °C | | Schall- druck dB (A) bei 10 m | Volumen- strom Lüfter m³/h | Vol. Be- häl. l | Durchm. Leitung | | Netto-/ Brutto- gew. kg | Ab mess. | Maximaler Strom gemäß Spannungscode | | |
|-------------|--|-------|-------|-------|-------|-------|-------|--|--------------|---|-------------------------------------|--------------------------|--------------------|----------------------|----------------------------------|-------------|---|------|-------------------|
| | -25° | -15° | -10° | -5° | 0° | 5° | 15° | Leist. (W) | COP (W/W) | | | | Saug. | Flüssig- keitsig. | | | FZ | KZ | TZ |
| | SILAE4450Z | 368 | 638 | 805 | 1004 | 1237 | 1506 | 2167 | 820 | | | | 1.78 | 27 | | | 1620 | 0.75 | 3/8" |
| SILAE4460Z | 470 | 771 | 957 | 1178 | 1436 | 1735 | 2470 | 981 | 1.84 | 27 | 1620 | 0.75 | 3/8" | 1/4" | 72/86 | S | 6.2 | na | na |
| SILRG4467Z | 498 | 800 | 986 | 1206 | 1462 | 1757 | 2478 | 1013 | 2.16 | 26 | 1650 | 0.75 | 3/8" | 1/4" | 62/79 | S | 4.8 | na | na |
| SILRG4480Z | 595 | 951 | 1170 | 1429 | 1730 | 2079 | 2941 | 1203 | 2.20 | 26 | 1650 | 1.50 | 3/8" | 3/8" | 62/79 | S | 5.6 | na | na |
| SILAJ9480Z | 607 | 1027 | 1286 | 1590 | 1943 | 2348 | 3329 | 1316 | 1.90 | 28 | 1650 | 1.50 | 1/2" | 3/8" | 70/87 | S | 7.0 | na | 3.7 |
| SILRG4492Z | 669 | 1066 | 1307 | 1591 | 1918 | 2294 | 3204 | 1350 | 2.21 | 26 | 1650 | 1.50 | 1/2" | 3/8" | 63/80 | S | 6.2 | na | na |
| SILAJ9510Z | 758 | 1252 | 1554 | 1908 | 2318 | 2789 | 3942 | 1600 | 1.86 | 26 | 1650 | 1.50 | 5/8" | 3/8" | 72/89 | S | 8.7 | na | 4.1 |
| SILRG4512Z | 836 | 1329 | 1628 | 1977 | 2378 | 2836 | 3934 | 1681 | 2.20 | 26 | 1650 | 1.50 | 1/2" | 3/8" | 65/82 | S | 7.0 | na | na |
| SILAJ9513Z | 914 | 1568 | 1968 | 2432 | 2963 | 3566 | 5005 | 2021 | 2.08 | 26 | 1650 | 1.50 | 5/8" | 3/8" | 74/91 | S | 11.6 | na | 4.7 |
| SILAJ4517Z | 1008 | 1689 | 2094 | 2562 | 3097 | 3711 | 5216 | 2171 | 1.96 | 27 | 1650 | 2.35 | 5/8" | 3/8" | 73/92 | S | 13.0 | 6.3 | 4.7 |
| SILAJ4519Z | 1226 | 2093 | 2596 | 3171 | 3828 | 4587 | 6519 | 2708 | 1.72 | 28 | 1650 | 2.35 | 5/8" | 3/8" | 74/91 | S | 15.5 | 11.2 | 6.5 |
| SILFH4524Z | 1319 | 2439 | 3122 | 3911 | 4807 | 5821 | 8236 | 3213 | 1.82 | 35 | 2700 | 2.35 | 5/8" | 1/2" | 69/90 | M | 20.8 | 11.1 | 8.9 |
| SILFH4531Z | 1797 | 3150 | 3947 | 4868 | 5922 | 7129 | 10089 | 4092 | 1.90 | 45 | 2700 | 3.90 | 7/8" | 1/2" | 72/93 | M | 24.0 | 14.6 | 9.4 |
| SILAW4538Z | 2174 | 3851 | 4814 | 5877 | 7027 | 8267 | 11132 | 5008 | 2.98* | 38 | 2700 | 3.90 | 7/8" | 1/2" | 80/111 | M | 27.0 ^a | na | 9.7 ^b |
| SILAG4546Z | 2306 | 4485 | 5791 | 7249 | 8873 | 10703 | 15357 | 5957 | 2.66* | 46 | 5940 | 6.00 | 7/8" | 1/2" | 128/143 | L | na | 23.7 | 14.9 |
| SILAG4553Z | 2712 | 5259 | 6774 | 8458 | 10326 | 12418 | 17663 | 6956 | 2.72* | 48 | 5940 | 6.00 | 7/8" | 5/8" | 133/149 | L | na | 27.8 | 15.6 |
| SILAG4561Z | 3123 | 5763 | 7276 | 8933 | 10765 | 12843 | 18374 | 7550 | 2.60* | 47 | 5940 | 6.00 | 1 1/8" | 5/8" | 134/149 | L | na | 30.0 | 16.9 |
| SILAG4568Z | 3900 | 6941 | 8738 | 10745 | 12998 | 15766 | 22218 | 9047 | 2.75* | 43 | 5940 | 6.00 | 1 1/8" | 5/8" | 138/153 | L | na | 36.0 | 19.4 |
| SILAG4573Z | 4297 | 7392 | 9228 | 11267 | 13534 | 16083 | 22551 | 9595 | 2.59* | 42 | 5940 | 6.00 | 1 1/8" | 5/8" | 139/154 | L | na | 33.0 | 20.6 |
| SILAG4581Z | 4728 | 8333 | 10448 | 12783 | 15345 | 18157 | 24773 | 10813 | 2.59* | 42 | 5400 | 6.00 | 1 1/8" | 5/8" | 145/154 | L | na | 39.0 | 22.0 |
| SILAGD4590Z | 4621 | 8988 | 11750 | 14884 | 18351 | 22082 | 30018 | 12034 | 3.06* | 47 | 6600 | 9.50 | 1 1/8" | 5/8" | 246/267 | XL | na | na | 25.0 |
| SILAGD4610Z | 5252 | 10038 | 13002 | 16321 | 19936 | 23756 | 31589 | 13381 | 3.00* | 47 | 6600 | 9.50 | 1 1/8" | 7/8" | 249/270 | XL | na | na | 29.0 |
| SILSH4591Z | 6469 | 10317 | 13317 | 15411 | 18461 | 21862 | na | 13192 | 3.29* | na | 6600 | 12 | 1 3/8" | 5/8" | 244/264 | XL | na | na | 15.1 ^c |
| SILAGD4612Z | 6111 | 12232 | 14352 | 17852 | 21514 | 25375 | 33102 | 14858 | 2.92* | 48 | 6600 | 12 | 1 3/8" | 7/8" | 253/274 | XL | na | na | 32.0 |
| SILAGD4614Z | 7381 | 12937 | 16356 | 20135 | 24158 | 28253 | 36338 | 17045 | 2.94* | 45 | 6600 | 12 | 1 3/8" | 7/8" | 256/277 | XL | na | na | 37.0 |
| SILAGD4615Z | 8081 | 13829 | 17286 | 21048 | 24986 | 28917 | 36431 | 18100 | 2.76* | 45 | 6600 | 12 | 1 3/8" | 7/8" | 257/278 | XL | na | na | 39.0 |

Angabe des saisonalen COP / k. A.: keine Angabe / ^a Spannungscode XC, ^b Spannungscode XG, ^c Spannungscode YZ, ^d Spannungscode MZ



MHBP
R404A

Silensys®

| MODELL | ABGEBENE KÄLTELEISTUNG 32 °C Umgebungst., 10 K Überhitzung, 3 K Unterkühlung Verdampfungstemperatur (°C): | | | | | | | ABGEG. KÄLTEL. EN 13215 bis -35 °C | | Schall- druck dB(A) bei 10 m | Volumen- strom Lüfter m³/h | Vol. Be- häl. l | Durchm. Leitung | | Netto-/ Brut- togew. kg | Ab mess. | Maximaler Strom gemäß Spannungscode | | |
|-------------|--|-------|-------|-------|-------|-------|-------|---|--------------|--|-------------------------------------|--------------------------|--------------------|-----------------------|----------------------------------|-------------|---|------|-------------------|
| | -25° | -15° | -10° | -5° | 0° | 5° | 15° | Leist. (W) | COP (W/W) | | | | Saug. | Flüssig- keitslig. | | | FZ | KZ | TZ |
| SILAE4450Z | 370 | 627 | 790 | 980 | 1199 | 1450 | 2065 | 870 | 1.81 | 27 | 1620 | 0.75 | 3/8" | 1/4" | 73/90 | S | 5.4 | na | na |
| SILRG4467Z | 456 | 729 | 906 | 1114 | 1353 | 1628 | 2299 | 999 | 2.07 | 26 | 1650 | 0.75 | 3/8" | 1/4" | 62/79 | S | 4.8 | na | na |
| SILAE4460Z | 476 | 762 | 942 | 1152 | 1394 | 1673 | 2354 | 1039 | 1.87 | 27 | 1620 | 0.75 | 3/8" | 1/4" | 72/89 | S | 6.2 | na | na |
| SILRG4480Z | 559 | 888 | 1101 | 1349 | 1635 | 1963 | 2763 | 1214 | 2.09 | 26 | 1650 | 1.50 | 3/8" | 3/8" | 62/79 | S | 5.6 | na | na |
| SILRG4492Z | 625 | 988 | 1220 | 1488 | 1797 | 2149 | 3010 | 1349 | 2.15 | 26 | 1650 | 1.50 | 1/2" | 3/8" | 63/80 | S | 6.2 | na | na |
| SILAJ9480Z | 614 | 1014 | 1266 | 1556 | 1888 | 2265 | 3172 | 1396 | 1.93 | 28 | 1650 | 2.35 | 1/2" | 3/8" | 70/87 | S | 7.0 | na | 3.7 |
| SILAJ9510Z | 768 | 1248 | 1549 | 1894 | 2286 | 2730 | 3793 | 1710 | 1.95 | 26 | 1650 | 2.35 | 5/8" | 3/8" | 72/89 | S | 8.7 | na | 4.1 |
| SILRG4512Z | 811 | 1279 | 1570 | 1901 | 2277 | 2703 | 3730 | 1736 | 2.19 | 26 | 1650 | 1.50 | 1/2" | 3/8" | 65/82 | S | 7.0 | na | na |
| SILAJ9513Z | 886 | 1518 | 1894 | 2313 | 2780 | 3298 | 4515 | 2094 | 2.05 | 26 | 1650 | 2.35 | 5/8" | 3/8" | 74/91 | S | 11.6 | na | 4.7 |
| SILAJ4517Z | 1016 | 1671 | 2066 | 2512 | 3012 | 3575 | 4941 | 2296 | 1.97 | 27 | 1650 | 2.35 | 5/8" | 3/8" | 73/90 | S | 13.0 | 6.3 | 4.7 |
| SILAJ4519Z | 1223 | 2068 | 2562 | 3108 | 3719 | 4408 | 6141 | 2860 | 1.73 | 28 | 1650 | 2.35 | 5/8" | 3/8" | 74/91 | S | 15.5 | 11.2 | 6.5 |
| SILFH4524Z | 1316 | 2397 | 3064 | 3817 | 4658 | 5593 | 7793 | 3405 | 1.85 | 35 | 2970 | 2.35 | 5/8" | 1/2" | 69/90 | M | 20.8 | 11.1 | 8.9 |
| SILFH4531Z | 1809 | 3112 | 3892 | 4767 | 5747 | 6847 | 9517 | 4333 | 1.93 | 45 | 2970 | 3.90 | 7/8" | 1/2" | 72/93 | M | 24.0 | 14.6 | 9.4 |
| SILAW4538Z | 2203 | 3774 | 4704 | 5724 | 6828 | 8007 | 10621 | 5239 | 2.97* | 38 | 2970 | 3.90 | 7/8" | 1/2" | 80/101 | M | 27.0 ^a | na | 9.7 ^b |
| SILAG4546Z | 2348 | 4317 | 5543 | 6931 | 8485 | 10212 | 14292 | 6158 | 2.65* | 46 | 5940 | 6.00 | 7/8" | 5/8" | 128/144 | L | na | 23.7 | 14.9 |
| SILAG4553Z | 2838 | 5097 | 6499 | 8087 | 9866 | 11845 | 16509 | 7206 | 2.70* | 48 | 5940 | 6.00 | 7/8" | 5/8" | 133/149 | L | na | 27.8 | 15.6 |
| SILAG4561Z | 3227 | 5562 | 6976 | 8562 | 10327 | 12288 | 16972 | 7773 | 2.58* | 47 | 5940 | 6.00 | 1"1/8" | 5/8" | 134/150 | L | na | 30.0 | 16.9 |
| SILAG4568Z | 3993 | 6733 | 8412 | 10313 | 12450 | 14851 | 20688 | 9352 | 2.73* | 43 | 5940 | 6.00 | 1"1/8" | 5/8" | 138/154 | L | na | 36.0 | 19.4 |
| SILAG4573Z | 4347 | 7177 | 8900 | 10831 | 12980 | 15363 | 21042 | 9912 | 2.57* | 42 | 5940 | 6.00 | 1"1/8" | 5/8" | 139/155 | L | na | 33.0 | 20.6 |
| SILAG4581Z | 4738 | 8103 | 10097 | 12304 | 14722 | 17353 | 23332 | 11208 | 2.58* | 42 | 5400 | 6.00 | 1"1/8" | 5/8" | 145/161 | L | na | 39.0 | 22.0 |
| SILAGD4590Z | 4545 | 8769 | 11430 | 14447 | 17779 | 21364 | 28970 | 12674 | 3.10* | 47 | 6600 | 9.50 | 1"1/8" | 5/8" | 246/267 | XL | na | na | 25.0 |
| SILSH4591Z | 6462 | 10228 | 12510 | 15065 | 17899 | 21016 | na | 13215 | 3.15* | na | 6600 | 9.50 | 1"3/8" | 5/8" | 244/264 | XL | na | na | 15.1 ^c |
| SILAGD4610Z | 5181 | 9819 | 12683 | 15885 | 19372 | 23056 | 30582 | 14087 | 3.04* | 47 | 6600 | 9.50 | 1"1/8" | 7/8" | 249/270 | XL | na | na | 29.0 |
| SILAGD4612Z | 6064 | 11025 | 14037 | 17368 | 20949 | 24673 | 32059 | 15622 | 2.95* | 48 | 6600 | 12.00 | 1"3/8" | 7/8" | 253/274 | XL | na | na | 32.0 |
| SILAGD4614Z | 7385 | 12735 | 16024 | 19658 | 23529 | 27468 | 34966 | 17893 | 2.96* | 45 | 6600 | 12.00 | 1"3/8" | 7/8" | 256/277 | XL | na | na | 37.0 |
| SILAGD4615Z | 8093 | 13654 | 16995 | 20631 | 24439 | 28238 | 35112 | 19007 | 2.78* | 45 | 6600 | 12.00 | 1"3/8" | 7/8" | 257/278 | XL | na | na | 39.0 |

Angabe des saisonalen COP / k. A.: keine Angabe

 Zu Informationszwecken, Kälteleistung der Kältemittel R449A und R448A: Am Verdampfungspunkt $T_o = -30$ °C, SH 10K, den Multiplikator 0,94 auf die für R404A angegebenen Kälteleistungen anwenden.




Silensys®

MHBP

R513A

| MODELL | ABGEBEBENE KÄLTELEISTUNG 32°C Umgebungst., 10 K Überhitzung, 3 K Unterkühlung Verdampfungstemperatur (°C): | | | | | | | ABGEG. KÄLTEL. EN 13215 bis -35 °C | | Schall- druck dB (A) bei 10 m | Volumen- strom Lüfter m³/h | Vol. Behäl- l | Durchm. Leitung | | Netto-/ Brutto- gew. kg | Ab mess. | Maximaler Strom gemäß Spannungscode | | |
|-------------|---|-------|-------|-------|-------|-------|-------|---|--------------|---|-------------------------------------|---------------------|--------------------|----------------------|-------------------------------|-------------|---|------|------|
| | -15° | -10° | -5° | 0° | 5° | 10 | 15° | Leist. (W) | COP (W/W) | | | | Saug. | Flüssig- keitslg. | | | FZ | KZ | TZ |
| | SILAE4450Y | 616 | 773 | 959 | 1178 | 1435 | 1734 | 2079 | 835 | | | | 1.66 | 28 | | | 1650 | 0.75 | 3/8" |
| SILAJ4461Y | 691 | 885 | 1117 | 1391 | 1712 | 2083 | 2507 | 957 | 1.74 | 26 | 1650 | 1.50 | 1/2" | 1/4" | 68/85 | S | 6.1 | na | 2.5 |
| SILAJ4476Y | 798 | 1032 | 1306 | 1626 | 1999 | 2429 | 2922 | 1117 | 1.98 | 26 | 1650 | 1.50 | 1/2" | 3/8" | 70/79 | S | 7.2 | na | na |
| SILAJ4492Y | 1035 | 1323 | 1656 | 2036 | 2466 | 2947 | 3480 | 1430 | 1.94 | 26 | 1650 | 1.50 | 1/2" | 3/8" | 70/87 | S | 9.2 | na | 3.1 |
| SILAJ4511Y | 1329 | 1675 | 2065 | 2503 | 2987 | 3516 | 4089 | 1815 | 2.10 | 27 | 1650 | 1.50 | 5/8" | 3/8" | 72/89 | S | 8.9 | na | 3.9 |
| SILFH4518Y | 1685 | 2231 | 2863 | 3590 | 4416 | 5347 | 6387 | 2421 | 1.79 | 33 | 2970 | 2.35 | 5/8" | 3/8" | 85/106 | M | 12.4 | 8.1 | 5.4 |
| SILFH4525Y | 2377 | 3026 | 3776 | 4634 | 5606 | 6699 | 7919 | 3297 | 1.92 | 40 | 2970 | 2.35 | 5/8" | 3/8" | 87/108 | M | 16.4 | 13.1 | 7.9 |
| SILAG4528Y | 2958 | 3788 | 4716 | 5749 | 6897 | 8179 | 9620 | 4106 | 2.54 | 39 | 2970 | 3.90 | 7/8" | 1/2" | 102/123 | M | na | 24.8 | 10.8 |
| SILAG4534Y | 3173 | 4135 | 5226 | 6453 | 7820 | 9331 | 10992 | 4486 | 2.33 | 37 | 2970 | 3.90 | 7/8" | 1/2" | 104/126 | M | na | 24.8 | 10.6 |
| SILAG4537Y | 3608 | 4698 | 5936 | 7330 | 8893 | 10636 | 12584 | 5092 | 2.36 | 37 | 2970 | 3.90 | 7/8" | 1/2" | 104/125 | M | na | 24.8 | 10.2 |
| SILAG4543Y | 3968 | 5168 | 6515 | 8018 | 9687 | 11538 | 13596 | 5603 | 3.02* | 38 | 2970 | 3.90 | 7/8" | 1/2" | 107/128 | M | na | 24.8 | 11.5 |
| SILAG4547Y | 4325 | 5606 | 7062 | 8700 | 10523 | 12531 | 14723 | 6078 | 2.63* | 37 | 2970 | 3.90 | 7/8" | 1/2" | 107/128 | M | na | 24.8 | 11.3 |
| SILAGD4556Y | 5950 | 7738 | 9763 | 12036 | 14576 | 17406 | 20570 | 8364 | 3.32* | 43 | 6600 | 9.50 | 1"1/8 | 5/8" | 234/255 | XL | na | na | 22.3 |
| SILAGD4568Y | 6371 | 8425 | 10801 | 13507 | 16528 | 19824 | 23329 | 9127 | 3.14* | 42 | 6600 | 9.50 | 1"1/8 | 5/8" | 236/257 | XL | na | na | 21.9 |
| SILAGD4574Y | 6992 | 9163 | 11652 | 14478 | 17651 | 21176 | 25051 | 9935 | 2.96* | 42 | 6600 | 9.50 | 1"1/8 | 5/8" | 246/267 | XL | na | na | 23.0 |
| SILAGD4586Y | 7852 | 10358 | 12232 | 16489 | 20124 | 24119 | 28436 | 11232 | 3.31* | 42 | 6600 | 9.50 | 1"1/8 | 5/8" | 246/267 | XL | na | na | 24.0 |

Angabe des saisonalen COP / k. A.: keine Angabe

MHBP

R134a

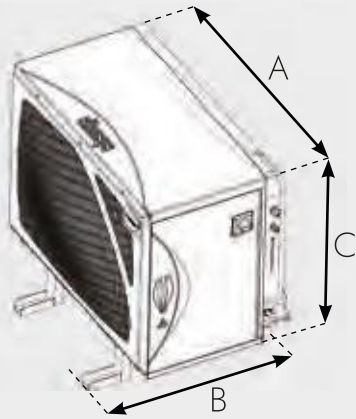
Silensys®

| MODELL | ABGEBEBENE KÄLTELEISTUNG 32°C Umgebungst., 10 K Überhitzung, 3 K Unterkühlung, Mittel/Mittel Verdampfungstemperatur (°C): | | | | | | | ABGEG. KÄLTEL. EN 13215 bis -35 °C | | Schall- druck dB (A) bei 10 m | Volumen- strom Lüfter m³/h | Vol. Behäl- l | Durchm. Leitung | | Netto-/ Brutto- gew. kg | Ab mess. | Maximaler Strom gemäß Spannungscode | | |
|-------------|--|------|-------|-------|-------|-------|-------|---|--------------|---|-------------------------------------|---------------------|--------------------|----------------------|-------------------------------|-------------|---|------|------|
| | -15° | -10° | -5° | 0° | 5° | 10 | 15° | Leist. (W) | COP (W/W) | | | | Saug. | Flüssig- keitslg. | | | FZ | KZ | TZ |
| | SILRG4445Y | 414 | 530 | 674 | 846 | 1048 | 1283 | 1550 | 566 | | | | 1.79 | 26 | | | 1650 | 0.75 | 3/8" |
| SILRG4450Y | 504 | 644 | 815 | 1020 | 1262 | 1544 | 1868 | 688 | 1.76 | 26 | 1650 | 0.75 | 3/8" | 1/4" | 61/78 | S | 4.2 | na | na |
| SILRG4460Y | 560 | 713 | 902 | 1133 | 1409 | 1736 | 2119 | 762 | 1.84 | 26 | 1650 | 0.75 | 1/2" | 1/4" | 62/79 | S | 4.6 | na | na |
| SILAE4450Y | 571 | 730 | 918 | 1138 | 1395 | 1691 | 2032 | 780 | 1.90 | 27 | 1620 | 0.75 | 3/8" | 1/4" | 73/87 | S | 4.9 | na | na |
| SILAJ4461Y | 633 | 827 | 1060 | 1338 | 1666 | 2049 | 2493 | 883 | 1.71 | 26 | 1650 | 1.50 | 1/2" | 1/4" | 68/85 | S | 6.1 | na | 2.5 |
| SILRG4476Y | 734 | 932 | 1169 | 1447 | 1768 | 2136 | 2553 | 996 | 1.96 | 26 | 1650 | 1.50 | 1/2" | 3/8" | 62/79 | S | 5.8 | na | na |
| SILAJ4476Y | 740 | 975 | 1250 | 1571 | 1943 | 2369 | 2856 | 1043 | 1.71 | 26 | 1650 | 1.50 | 1/2" | 3/8" | 70/87 | S | 7.2 | na | na |
| SILAJ4492Y | 947 | 1235 | 1571 | 1960 | 2404 | 2908 | 3474 | 1319 | 1.91 | 26 | 1650 | 1.50 | 1/2" | 3/8" | 70/87 | S | 9.2 | na | 3.1 |
| SILAJ4511Y | 1220 | 1568 | 1967 | 2418 | 2924 | 3486 | 4105 | 1679 | 2.08 | 27 | 1650 | 1.50 | 5/8" | 3/8" | 72/89 | S | 8.9 | na | 3.9 |
| SILFH4518Y | 1548 | 2091 | 2730 | 3473 | 4330 | 5308 | 6421 | 2242 | 1.76 | 33 | 2700 | 2.35 | 5/8" | 3/8" | 85/106 | M | 12.4 | 8.1 | 5.4 |
| SILFH4525Y | 2190 | 2848 | 3616 | 4504 | 5523 | 6686 | 8012 | 3062 | 1.89 | 40 | 2700 | 2.35 | 5/8" | 3/8" | 87/108 | M | 16.4 | 13.1 | 7.9 |
| SILAG4528Y | 1956 | 2851 | 3904 | 5093 | 6397 | 7805 | 9313 | 3048 | 2.01 | 39 | 2700 | 3.90 | 7/8" | 1/2" | 102/123 | M | na | 24.8 | 10.8 |
| SILAG4534Y | 2693 | 3705 | 4910 | 6282 | 7792 | 9413 | 11117 | 3964 | 2.20 | 37 | 2700 | 3.90 | 7/8" | 1/2" | 104/126 | M | na | 24.8 | 10.6 |
| SILAG4537Y | 3203 | 4332 | 5685 | 7235 | 8955 | 10823 | 12819 | 4632 | 2.29 | 37 | 2700 | 3.90 | 7/8" | 1/2" | 104/125 | M | na | 24.8 | 10.2 |
| SILAG4543Y | 3353 | 4489 | 5910 | 7578 | 9455 | 11509 | 13716 | 4801 | 2.24 | 38 | 2700 | 3.90 | 7/8" | 1/2" | 107/128 | M | na | 24.8 | 11.5 |
| SILAG4547Y | 3968 | 5249 | 6727 | 8412 | 10313 | 12440 | 14808 | 5623 | 2.61 | 37 | 2700 | 3.90 | 7/8" | 1/2" | 107/128 | M | na | na | 11.3 |
| SILAGD4556Y | 3935 | 5809 | 8048 | 10602 | 13424 | 16474 | 19725 | 6197 | 2.56 | 43 | 6600 | 9.50 | 1"1/8 | 5/8" | 234/255 | XL | na | na | 21.0 |
| SILAGD4568Y | 5404 | 7530 | 10108 | 13078 | 16362 | 19858 | 23438 | 8048 | 2.88 | 42 | 6600 | 9.50 | 1"1/8 | 5/8" | 236/256 | XL | na | na | 23.0 |
| SILAGD4574Y | 6242 | 8474 | 11180 | 14302 | 17775 | 21528 | 25479 | 9063 | 2.81 | 42 | 6600 | 9.50 | 1"1/8 | 5/8" | 246/266 | XL | na | na | 21.0 |
| SILAGD4586Y | 6645 | 8995 | 11983 | 15536 | 19561 | 23948 | 28574 | 9621 | 2.96 | 42 | 6600 | 9.50 | 1"1/8 | 5/8" | 246/267 | XL | na | na | 24.0 |

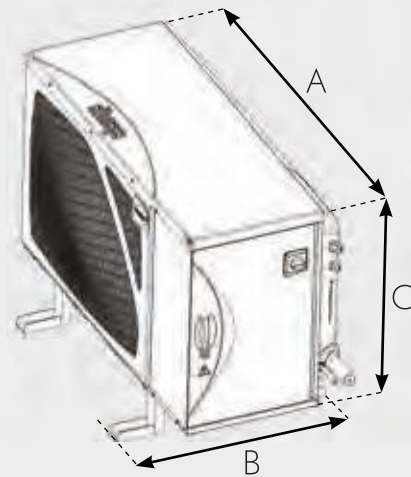
k. A.: keine Angabe

ABMESSUNGEN

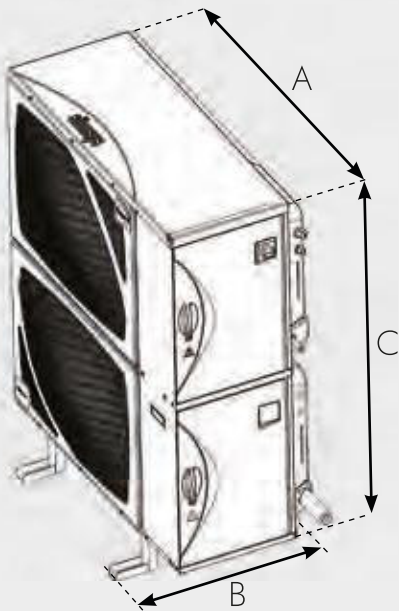
Silensys®



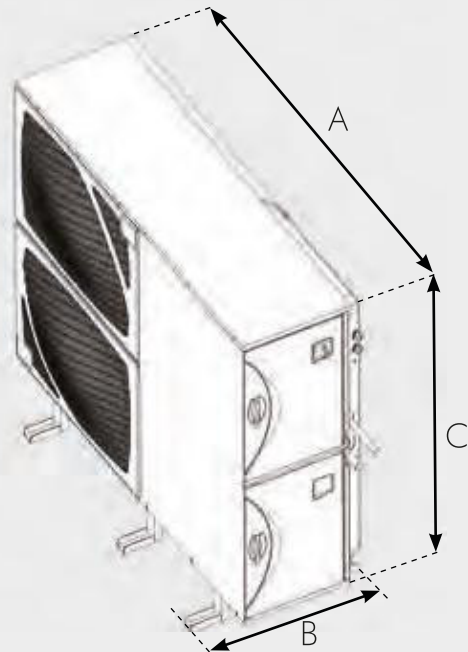
GRÖßE S




GRÖßE M



GRÖßE L



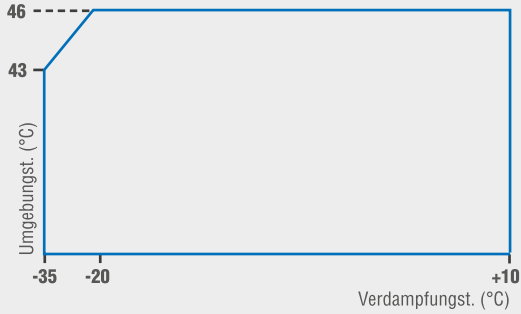
GRÖßE XL

| | | A | B | C |
|---|----|------|-----|------|
|  | S | 942 | 654 | 837 |
|  | M | 1174 | 654 | 837 |
|  | L | 1209 | 654 | 1465 |
|  | XL | 1666 | 654 | 1457 |

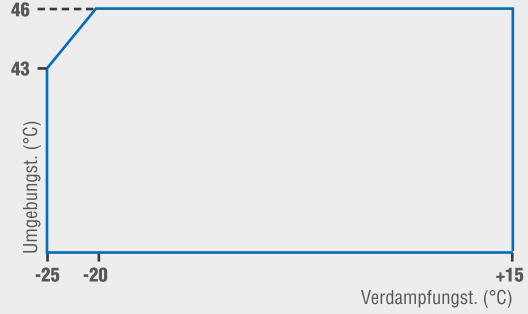
ANWENDUNGSMÖGLICHKEITEN

LBP R452A R404A

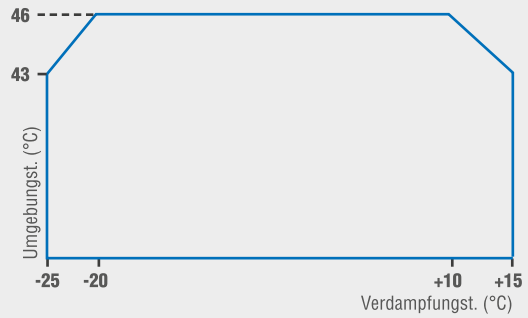
MHBP R452A R404A



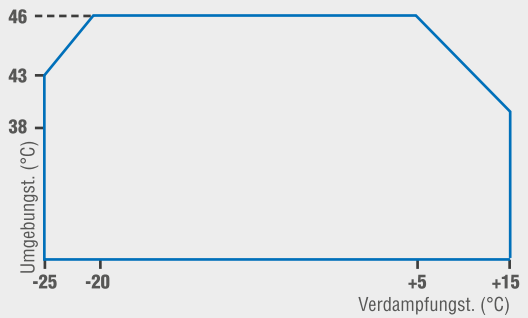
| MODELL |
|----------------|
| SIL RG 2426 Z |
| SIL RG 2432 Z |
| SIL RG 2446 Z |
| SIL AJ 2432 Z |
| SIL AJ 2440 Z |
| SIL AJ 2446 Z |
| SIL AJ 2464 Z |
| SIL FH 2480 Z |
| SIL FH 2511 Z |
| SIL AG 2513 Z |
| SIL AG 2516 Z |
| SIL AG 2519 Z |
| SIL AG 2522 Z |
| SIL AG 2525 Z |
| SIL AGD 2532 Z |
| SIL AGD 2538 Z |
| SIL AGD 2544 Z |
| SIL SH 2534 Z |



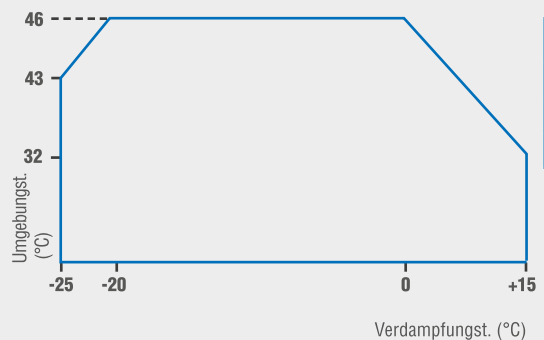
| MODELL |
|---------------|
| SIL AE 4450 Z |
| SIL AE 4460 Z |
| SIL RG 4467 Z |
| SIL RG 4480 Z |
| SIL RG 4492 Z |
| SIL RG 4512 Z |
| SIL AJ 9480 Z |
| SIL AJ 9510 Z |
| SIL AJ 9513 Z |



| MODELL |
|----------------|
| SIL AJ 4517 Z |
| SIL FH 4524 Z |
| SIL AG 4553 Z |
| SIL AG 4581 Z |
| SIL AGD 4590 Z |

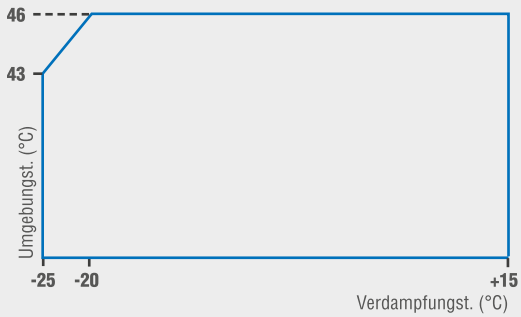


| MODELL |
|----------------|
| SIL AJ 4519 Z |
| SIL FH 4531 Z |
| SIL AW 4538 Z |
| SIL AG 4546 Z |
| SIL AG 4561 Z |
| SIL AG 4568 Z |
| SIL AG 4573 Z |
| SIL AGD 4610 Z |
| SIL AGD 4612 Z |



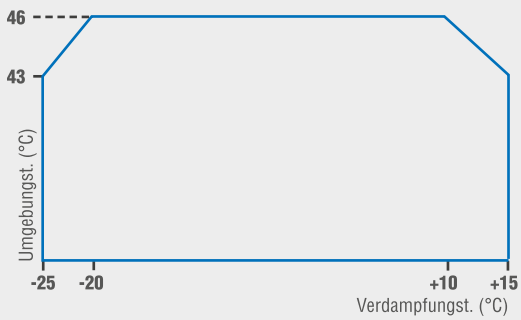
| MODELL |
|----------------|
| SIL AGD 4614 Z |
| SIL AGD 4615 Z |
| SIL SH 4591 Z |

MHBP R513A R134a



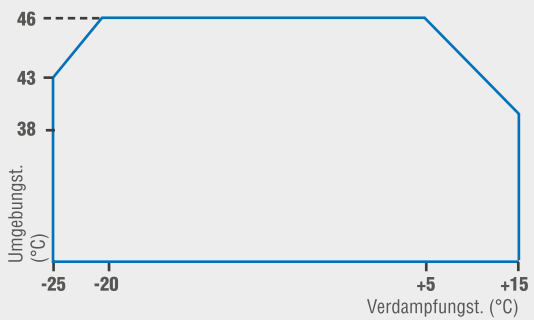
MODELL

| |
|----------------|
| SIL RG 4445 Y |
| SIL RG 4450 Y |
| SIL RG 4460 Y |
| SIL RG 4476 Y |
| SIL AE 4450 Y |
| SIL AJ 4461 Y |
| SIL AJ 4476 Y |
| SIL AJ 4492 Y |
| SIL AGD 4556 Y |
| SIL AGD 4568 Y |
| SIL AGD 4574 Y |



MODELL

| |
|----------------|
| SIL AJ 4511 Y |
| SIL FH 4518 Y |
| SIL AG 4528 Y |
| SIL AG 4534 Y |
| SIL AG 4537 Y |
| SIL AG 4543 Y |
| SIL AG 4547 Y |
| SIL AGD 4586 Y |



MODELL

| |
|---------------|
| SIL FH 4525 Y |
|---------------|

