

EMC3119U



ENGINEERING CODE
513304128

REFRIGERANT
R-290

POWER SUPPLY
220-240 V 50 Hz

APPLICATION
L/MBP

MOTOR TYPE
RSCR

STANDARD
EN12900

COOLING CAPACITY
132 W

EFFICIENCY
1.45 W/W



DATA

GENERAL DATA

Model	EMC3119U
Type	Hermetic Reciprocating
Technology	ON/OFF
Compressor Application	L/MBP
Expansion Device	Capillary Tube
Compressor Cooling	Fan/220
HP	1/4
Starting Torque	LST
Plant	BRAZIL

ELECTRICAL DATA

Start Winding Resistance	16.27 Ω at 25°C
Run Winding Resistance	19.15 Ω at 25°C
Locked Rotor Amperage (LRA) 50Hz	6 A
Rated Load Amperage (LMBP) at 50 Hz	2.5 A
Rated Load Amperage (HBP) at 50 Hz	2.6 A

MECHANICAL DATA

Displacement	4.53 cm ³
Oil Charge	150 ml
Oil Type	ALQUILB
Oil Viscosity	ISO22
Weight	7.4 Kg

ELECTRICAL COMPONENTS

Run Capacitor	5.0 µf/350 V
CSR CSIR BOX	No
Starting Device Type	PTC
Starting Device Description	MI2021 V230
Overload Protection	T1079/07

PERFORMANCE

TESTED CONDITIONS

Tested Refrigerant	R-290
Tested Application	LBP
Tested Standard	EN12900
Tested Cooling	Fan
Tested Voltage	220 V
Max Refrigerant Charge	150 g
Refrigerant Temperature	Dew

RATED POINTS

Condensing Temperature °C	Evaporating Temperature °C	Cooling Capacity W	Efficiency W/W	Power Consumption W	Current A	Gas Flow Rate kg/h
40	-35	132	1.45	90	-	1.51

Test Condition: Subcooling 0 K, Return Gas 20 °C. Data are an indication of performance based simulation.

PERFORMANCE CURVE

Condensing Temperature 35°C

Evaporating Temperature °C	Cooling Capacity W	Efficiency W/W	Power Consumption W	Current A	Gas Flow Rate kg/h
-35	142	1.62	88	-	1.56
-30	182	1.86	98	-	2.01
-25	230	2.13	108	-	2.54
-20	286	2.43	118	-	3.17
-15	351	2.79	126	-	3.91
-10	425	3.20	133	-	4.76
-5	509	3.71	137	-	5.73
0	602	4.34	139	-	6.84

Test Condition: Subcooling 0 K, Return Gas 20 °C. Data are an indication of performance based simulation.

PERFORMANCE CURVE

Condensing Temperature 45°C

Evaporating Temperature °C	Cooling Capacity W	Efficiency W/W	Power Consumption W	Current A	Gas Flow Rate kg/h
-35	121	1.31	92	-	1.45
-30	156	1.50	104	-	1.88
-25	198	1.71	116	-	2.40
-20	248	1.93	128	-	3.02
-15	306	2.18	140	-	3.74
-10	372	2.47	151	-	4.57
-5	446	2.80	159	-	5.53
0	530	3.20	166	-	6.63

Test Condition: Subcooling 0 K, Return Gas 20 °C. Data are an indication of performance based simulation.

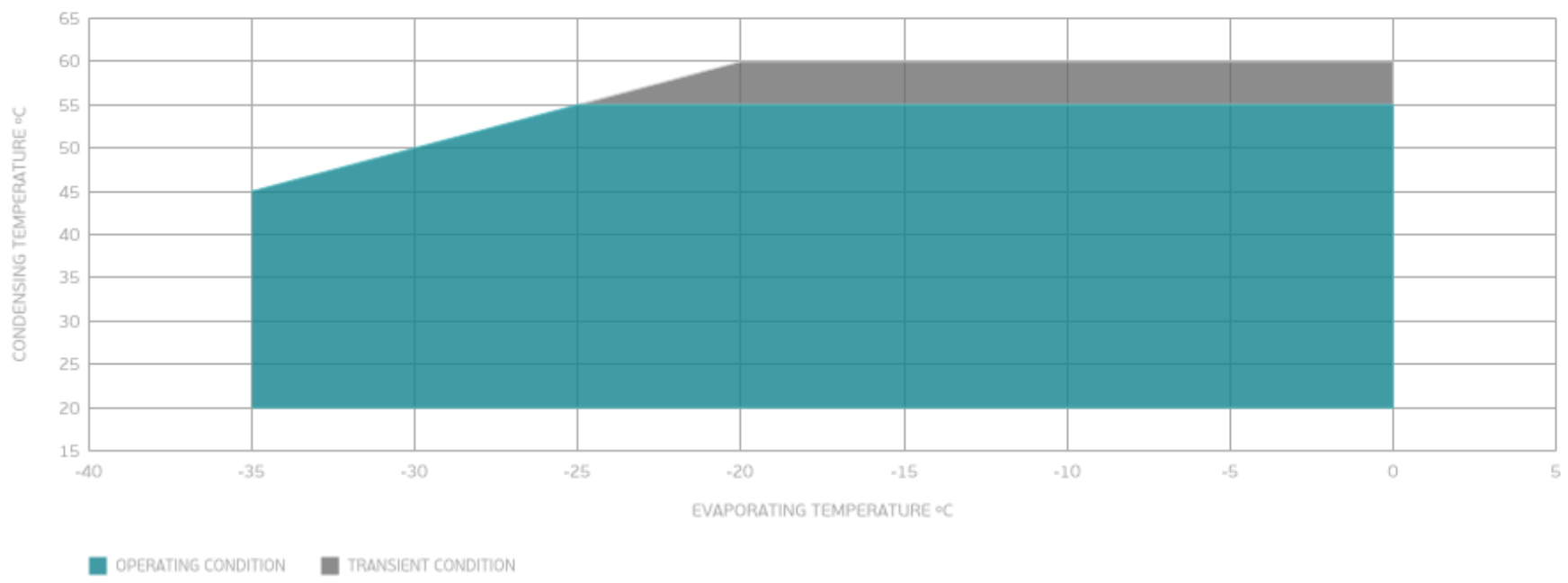
PERFORMANCE CURVE

Condensing Temperature 55°C

Evaporating Temperature °C	Cooling Capacity W	Efficiency W/W	Power Consumption W	Current A	Gas Flow Rate kg/h
-25	166	1.38	120	-	2.24
-20	209	1.55	135	-	2.84
-15	259	1.74	149	-	3.54
-10	317	1.94	163	-	4.36
-5	383	2.17	176	-	5.30
0	457	2.44	187	-	6.37

Test Condition: Subcooling 0 K, Return Gas 20 °C. Data are an indication of performance based simulation.

ENVELOPE



External

EXTERNAL CHARACTERISTICS

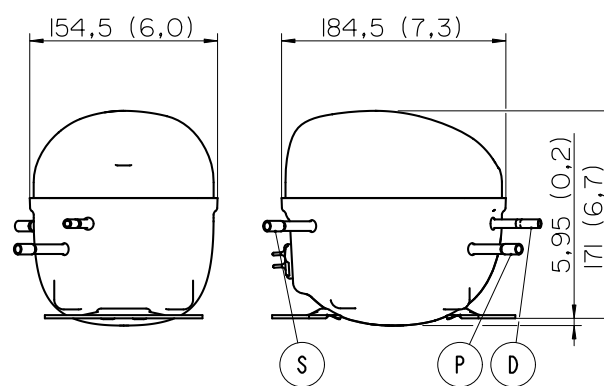
Base Plate SMALL

Tray Holder YES

Connector	Internal Diameter	Shape	Material
Suction	6.1 mm	SLANTED 42° UP + 45° TO BACK	COPPER
Discharge	4.94 mm	SLANTED 0° UP + 45° TO BACK	COPPER
Process	6.1 mm	SLANTED 45° UP + 45° TO BACK	COPPER

EXTERNAL DIMENSIONS

SHELL



BASE



FENCE

