

EMC3134U



ENGINEERING CODE
513301833

REFRIGERANT
R-290

POWER SUPPLY
220-240 V 50 Hz

APPLICATION
L/MBP

MOTOR TYPE
RSCR

STANDARD
EN12900

COOLING CAPACITY
251 W

EFFICIENCY
1.46 W/W



DATA

GENERAL DATA

Model	EMC3134U
Type	Hermetic Reciprocating
Technology	ON/OFF
Compressor Application	L/MBP
Expansion Device	Capillary Tube
Compressor Cooling	Fan/220
HP	1/3
Starting Torque	LST
Plant	BRAZIL

ELECTRICAL DATA

Start Winding Resistance	13.3 Ω at 25°C
Run Winding Resistance	9.25 Ω at 25°C

MECHANICAL DATA

Displacement	7.95 cm ³
Oil Charge	150 ml
Oil Type	ALQUILB
Oil Viscosity	ISO22
Weight	8.2 Kg

ELECTRICAL COMPONENTS

Run Capacitor	8.0 µf/350 V
CSR CSIR BOX	No
Starting Device Type	PTC
Starting Device Description	MI2021 V230
Overload Protection	T0480/07

PERFORMANCE

TESTED CONDITIONS

Tested Refrigerant	R-290
Tested Application	LBP
Tested Standard	EN12900
Tested Cooling	Fan
Tested Voltage	220 V
Max Refrigerant Charge	150 g
Refrigerant Temperature	Dew

RATED POINTS

Condensing Temperature °C	Evaporating Temperature °C	Cooling Capacity W	Efficiency W/W	Power Consumption W	Current A	Gas Flow Rate kg/h
40	-35	251	1.46	171	-	2.88

Test Condition: Subcooling 0 K, Return Gas 20 °C. Data are an indication of performance based simulation.

PERFORMANCE CURVE
Condensing Temperature 35°C

Evaporating Temperature °C	Cooling Capacity W	Efficiency W/W	Power Consumption W	Current A	Gas Flow Rate kg/h
-35	266	1.62	164	-	2.92
-30	329	1.84	178	-	3.63
-25	406	2.09	195	-	4.49
-20	499	2.36	211	-	5.53
-15	608	2.67	227	-	6.77
-10	736	3.04	242	-	8.23
-5	883	3.49	253	-	9.95
0	1051	4.03	261	-	11.94

Test Condition: Subcooling 0 K, Return Gas 20 °C. Data are an indication of performance based simulation.

PERFORMANCE CURVE
Condensing Temperature 45°C

Evaporating Temperature °C	Cooling Capacity W	Efficiency W/W	Power Consumption W	Current A	Gas Flow Rate kg/h
-35	234	1.33	177	-	2.82
-30	290	1.50	193	-	3.50
-25	358	1.68	213	-	4.34
-20	439	1.88	234	-	5.35
-15	535	2.10	255	-	6.55
-10	648	2.35	275	-	7.97
-5	777	2.65	293	-	9.63
0	925	3.00	308	-	11.56

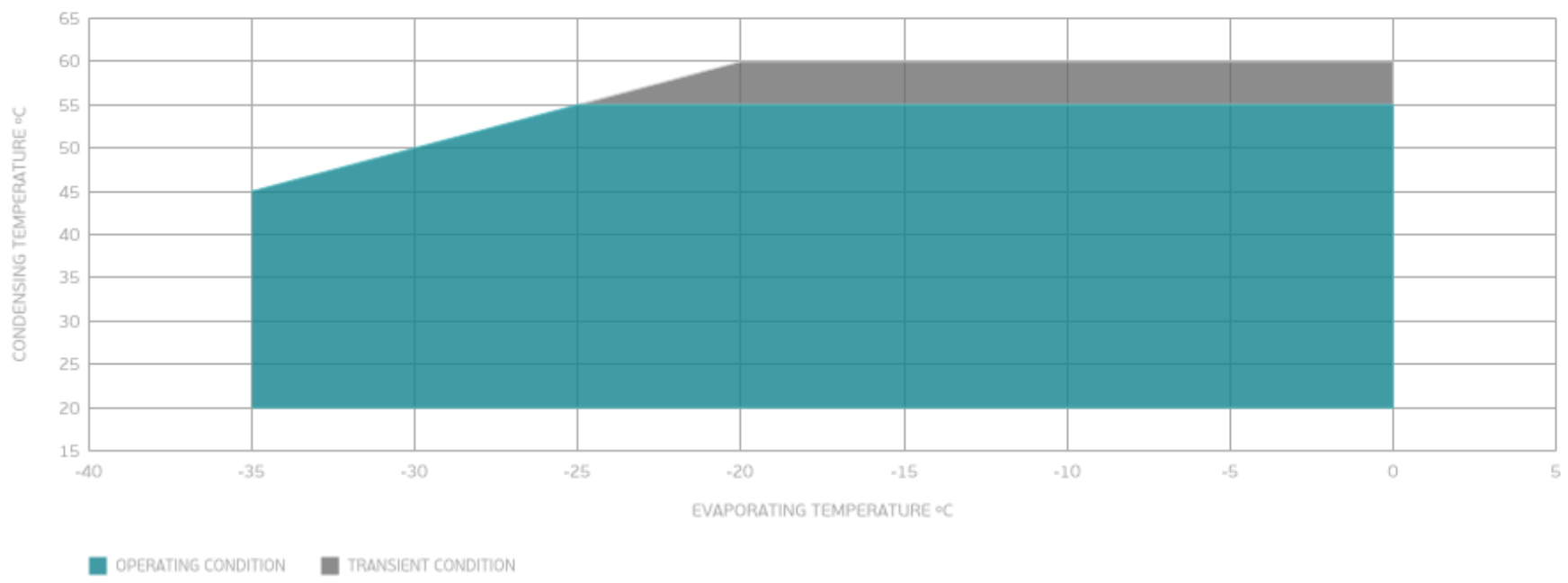
Test Condition: Subcooling 0 K, Return Gas 20 °C. Data are an indication of performance based simulation.

PERFORMANCE CURVE
Condensing Temperature 55°C

Evaporating Temperature °C	Cooling Capacity W	Efficiency W/W	Power Consumption W	Current A	Gas Flow Rate kg/h
-25	305	1.38	220	-	4.11
-20	375	1.53	245	-	5.09
-15	458	1.69	271	-	6.25
-10	555	1.87	297	-	7.63
-5	667	2.07	322	-	9.24
0	796	2.31	345	-	11.11

Test Condition: Subcooling 0 K, Return Gas 20 °C. Data are an indication of performance based simulation.

ENVELOPE



External

EXTERNAL CHARACTERISTICS

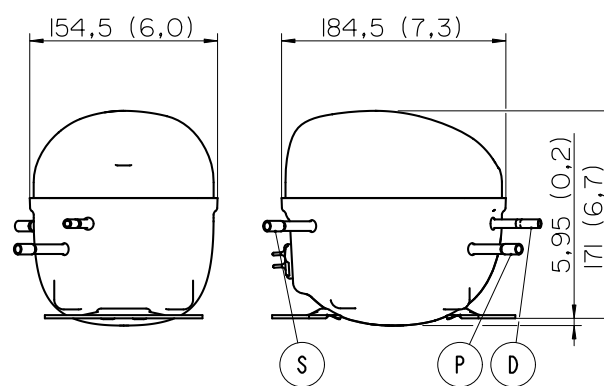
Base Plate SMALL

Tray Holder NO

Connector	Internal Diameter	Shape	Material
Suction	6.1 mm	SLANTED 42° UP + 45° TO BACK	COPPER
Discharge	4.94 mm	SLANTED 0° UP + 45° TO BACK	COPPER
Process	6.1 mm	SLANTED 45° UP + 45° TO BACK	COPPER

EXTERNAL DIMENSIONS

SHELL



BASE



FENCE

