


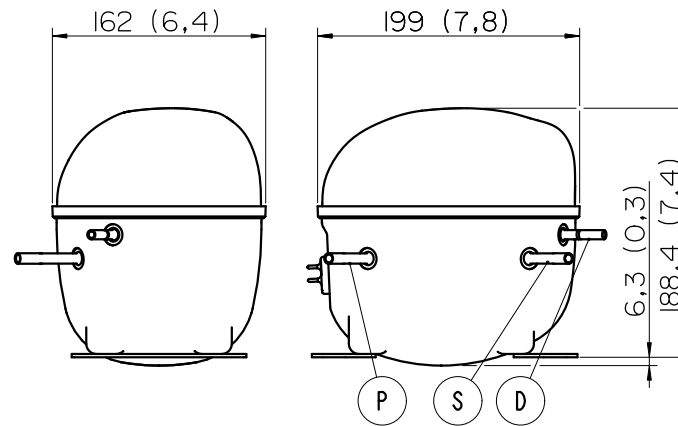
# EXTERNAL DIMENSIONS

 **MODEL**  
NEK6152U

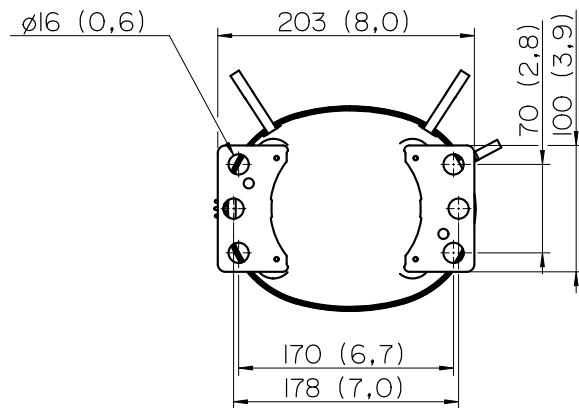
 **ENGINEERING CODE**  
861DA51



## SHELL



## BASE



## FENCE

