

EMT2125GK



ENGINEERING CODE
912DA62



REFRIGERANT
R-404A



POWER SUPPLY
220-240 V 50 Hz



APPLICATION
LBP



MOTOR TYPE
CSIR



STANDARD
EN12900



COOLING CAPACITY
197 W



EFFICIENCY
1.11 W/W

DATA

GENERAL DATA

| | |
|------------------------|-----------------------------------|
| Model | EMT2125GK |
| Type | Hermetic Reciprocating |
| Technology | ON/OFF |
| Compressor Application | LBP |
| Expansion Device | Capillary Tube or Expansion Valve |
| Compressor Cooling | Fan/220 |
| HP | 1/3+ |
| Starting Torque | HST |
| Plant | ITALY |

ELECTRICAL DATA

| | |
|----------------------------------|-------|
| Start Winding Resistance | null |
| Run Winding Resistance | null |
| Locked Rotor Amperage (LRA) 50Hz | 9.8 A |

MECHANICAL DATA

| | |
|---------------|----------------------|
| Displacement | 5.96 cm ³ |
| Oil Charge | 180 ml |
| Oil Type | ESTER |
| Oil Viscosity | ISO22 |
| Weight | 7.8 Kg |

ELECTRICAL COMPONENTS

| | |
|-----------------------------|----------------|
| Start Capacitor | 64-77 µf/330 V |
| CSR CSIR BOX | No |
| Starting Device Type | RELAY |
| Starting Device Description | MTRP-36* |
| Overload Protection | T0571/G6 |

PERFORMANCE

TESTED CONDITIONS

| | |
|-------------------------|---------|
| Tested Refrigerant | R-404A |
| Tested Application | LBP |
| Tested Standard | EN12900 |
| Tested Cooling | Fan |
| Tested Voltage | 220 V |
| Max Refrigerant Charge | 250 g |
| Refrigerant Temperature | Dew |

RATED POINTS

| Condensing Temperature °C | Evaporating Temperature °C | Cooling Capacity W | Efficiency W/W | Power Consumption W | Current A | Gas Flow Rate kg/h |
|---------------------------|----------------------------|--------------------|----------------|---------------------|-----------|--------------------|
| 40 | -35 | 197 | 1.11 | 178 | - | 5.35 |

Test Condition: Subcooling 0 K, Return Gas 20 °C. Data are an indication of performance based simulation.

PERFORMANCE CURVE

Condensing Temperature 35°C

| Evaporating Temperature °C | Cooling Capacity W | Efficiency W/W | Power Consumption W | Current A | Gas Flow Rate kg/h |
|----------------------------|--------------------|----------------|---------------------|-----------|--------------------|
| -40 | 167 | 1.08 | 154 | - | 4.23 |
| -35 | 216 | 1.24 | 174 | - | 5.52 |
| -30 | 277 | 1.42 | 194 | - | 7.09 |
| -25 | 349 | 1.62 | 216 | - | 9.00 |
| -20 | 434 | 1.82 | 238 | - | 11.26 |
| -15 | 533 | 2.05 | 259 | - | 13.91 |
| -10 | 645 | 2.31 | 280 | - | 17.00 |

Test Condition: Subcooling 0 K, Return Gas 20 °C. Data are an indication of performance based simulation.

PERFORMANCE CURVE

Condensing Temperature 45°C

| Evaporating Temperature °C | Cooling Capacity W | Efficiency W/W | Power Consumption W | Current A | Gas Flow Rate kg/h |
|----------------------------|--------------------|----------------|---------------------|-----------|--------------------|
| -40 | 135 | 0.85 | 159 | - | 3.90 |
| -35 | 178 | 0.99 | 180 | - | 5.14 |
| -30 | 230 | 1.12 | 204 | - | 6.67 |
| -25 | 291 | 1.26 | 231 | - | 8.52 |
| -20 | 363 | 1.41 | 258 | - | 10.71 |
| -15 | 447 | 1.56 | 287 | - | 13.29 |
| -10 | 542 | 1.72 | 315 | - | 16.28 |

Test Condition: Subcooling 0 K, Return Gas 20 °C. Data are an indication of performance based simulation.

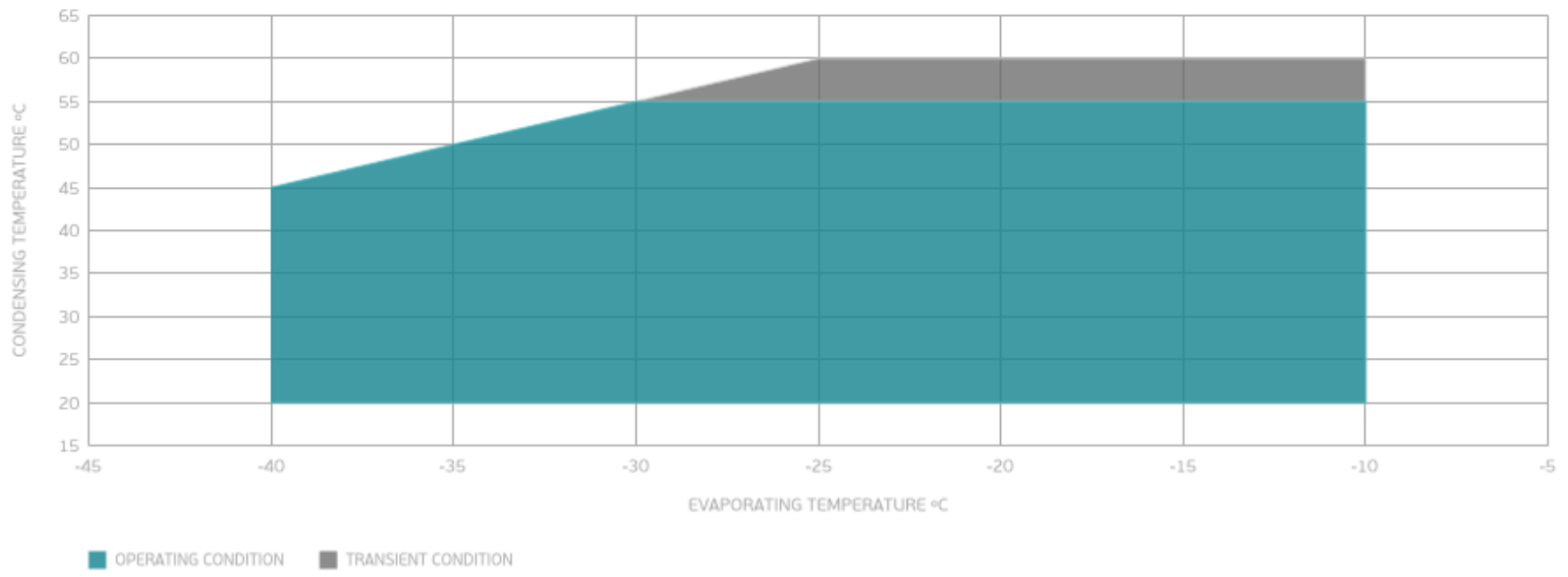
PERFORMANCE CURVE

Condensing Temperature 55°C

| Evaporating Temperature °C | Cooling Capacity W | Efficiency W/W | Power Consumption W | Current A | Gas Flow Rate kg/h |
|----------------------------|--------------------|----------------|---------------------|-----------|--------------------|
| -30 | 179 | 0.87 | 207 | - | 6.12 |
| -25 | 230 | 0.97 | 237 | - | 7.90 |
| -20 | 289 | 1.07 | 270 | - | 10.02 |
| -15 | 357 | 1.17 | 305 | - | 12.52 |
| -10 | 435 | 1.28 | 340 | - | 15.41 |

Test Condition: Subcooling 0 K, Return Gas 20 °C. Data are an indication of performance based simulation.

ENVELOPE



External

EXTERNAL CHARACTERISTICS

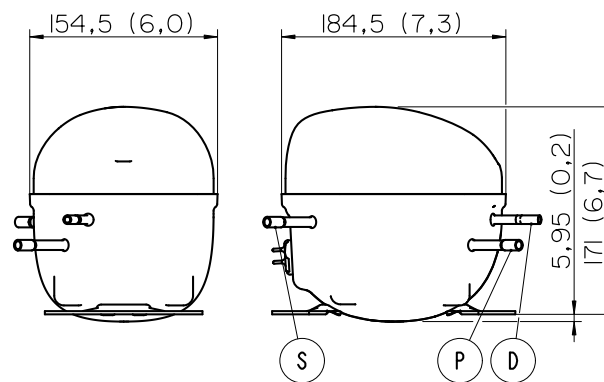
Base Plate SMALL

Tray Holder NO

| Connector | Internal Diameter | Shape | Material |
|-----------|-------------------|-------------|----------|
| Suction | 6.1 mm | SLANTED 42° | COPPER |
| Discharge | 4.94 mm | STRAIGHT | COPPER |
| Process | 6.1 mm | SLANTED 42° | COPPER |

EXTERNAL DIMENSIONS

SHELL



BASE



FENCE

