

220-240V 50Hz 1~**GENERAL DATA****Application:** MBP**Refrigerant:** R290**Compressor Cooling:** Fan**Fan air flow:** 520 m3/h**Maximum Condensing Pressure - Operating:** 18.07 bar**Maximum Condensing Pressure - Peak:** 20.16 bar**Type:** Hermetic reciprocating**Technology Type:** On-Off**Expansion Device:** Capillary Tube or Expansion Valve**Packing Quantity:** Multi - 24 pcs**Displacement:** 20.4 cm3**Horse power:** 1 hpApprovals:  **MECHANICAL DATA****Bore:** 36.99 mm**Stroke:** 19.03 mm**Oil Charge:** 450ml +/-15ml**Free Internal Volume:** 3.3 cm3**Maximum Recommended Refrigerant Charge:** 800 ml**Oil Type Configuration:** Polyolester**Oil Type Viscosity:** ISO22**Compressor pressurization:** Without dry air charge**Weight:** 17.1 kg**ELECTRICAL DATA****Motor Type:** CSR**Starting Torque:** HST**Voltage working range at 50 Hz:** 198-254 V**Maximum Motor Temperature:** 130 °C**Start Winding Resistance:** 9 Ω (± 10%) at 25°C**Run Winding Resistance:** 2.3 Ω (± 10%) at 25°C**Locked Rotor Amperage (RLA):** 30 A**MOUNTING ACCESSORIES**

	Description	Code
Terminal Board:	no	-
Anchorage:	no	-
Capacitor Bracket:	no	-
Grommets:	yes	2221004
Sleeves:	yes	2222016
Washer:	no	-
Pin:	no	-
Clip:	no	-
Rotolock valve:	no	-
Overload Protector Bracket:	yes	2075299
Cover:	yes	2075278

ELECTRICAL COMPONENTS

	Component type	Description	Code
Run Capacitor:		15 MFD	2253310
Starting Device:	Potential relay	RVA4AL3C-649	1253015
Motor Protection:	External 3/4"	T0485/G9	2321134
Start Capacitor:		43-53 MFD 330V	2252268
CSR / CSIR Box:	yes		1272005

EXTERNAL CHARACTERISTICS**Base Plate:** Universal**Tray Holder:** No**Height:** 220 mm

	Internal Diameter (mm)	Material	Shape
Suction Connector	9.6	Copper	Vertical
Discharge Connector	6.42	Copper	Vertical
Process Connector	6.42	Copper	Vertical

RATED POINT DATA

Cooling Capacity (W)	Power Consumption (W)	Current Consumption (A)	Gas Flow Rate (kg/h)	Efficiency (w/W)
±5%	±5%	±5%	±5%	±7%
779	971	4.91	0.00	0.80

Test condition: ASHRAE, Fan, Return Gas 35°C, Subcooling 8.3K, Evaporating: 7.2°C, Condensing: 54°C, Ambient: 35°C

PERFORMANCE CURVE DATA**220V 50Hz**

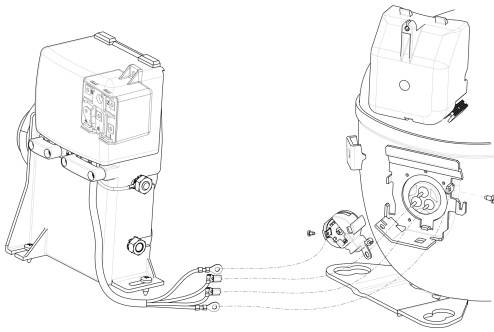
Condensing Temperature (°C)	Evaporating Temperature (°C)	Cooling Capacity (W)	Power Consumption (W)	Current Consumption (A)	Gas Flow Rate (kg/h)	Efficiency (w/W)
		±5%	±5%	±5%	±5%	±7%
35°C	10	3 663	758	4.07	0.00	4.83
	5	3 117	753	4.05	0.00	4.14
	0	2 621	740	3.99	0.00	3.54
	-5	2 177	718	3.90	0.00	3.03
	-10	1 784	684	3.77	0.00	2.61
	-15	1 445	638	3.59	0.00	2.26
	-20	1 159	579	3.39	0.00	2.00

Condensing Temperature (°C)	Evaporating Temperature (°C)	Cooling Capacity (W)	Power Consumption (W)	Current Consumption (A)	Gas Flow Rate (kg/h)	Efficiency (w/W)
		±5%	±5%	±5%	±5%	±7%
45°C	10	3 253	882	4.53	0.00	3.69
	5	2 755	858	4.44	0.00	3.21
	0	2 303	827	4.32	0.00	2.79
	-5	1 899	787	4.16	0.00	2.41
	-10	1 543	736	3.97	0.00	2.10
	-15	1 236	675	3.74	0.00	1.83
	-20	979	600	3.47	0.00	1.63

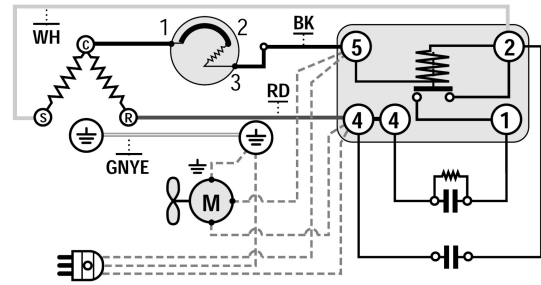
Condensing Temperature (°C)	Evaporating Temperature (°C)	Cooling Capacity (W)	Power Consumption (W)	Current Consumption (A)	Gas Flow Rate (kg/h)	Efficiency (w/W)
		±5%	±5%	±5%	±5%	±7%
55°C	10	2 888	1 007	5.06	0.00	2.87
	5	2 428	961	4.88	0.00	2.53
	0	2 012	909	4.67	0.00	2.21
	-5	1 639	849	4.43	0.00	1.93
	-10	1 311	779	4.16	0.00	1.68

Test condition: ASHRAE, Fan, Return Gas 35°C, Subcooling 8.3K, Evaporating: 7.2°C, Condensing: 54°C, Ambient: 35°C

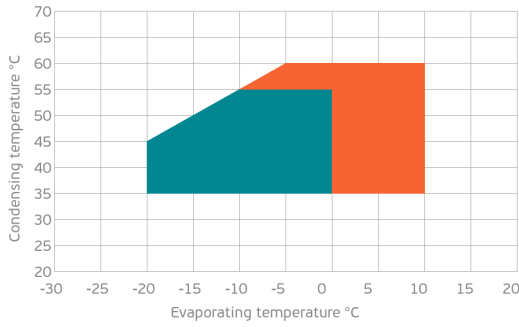
ASSEMBLY INSTRUCTION



WIRING DIAGRAM

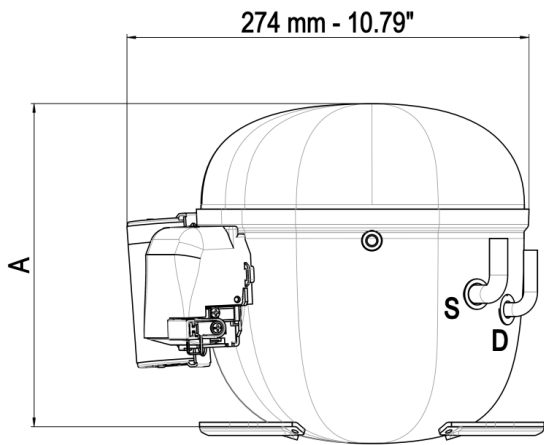


OPERATING ENVELOPE

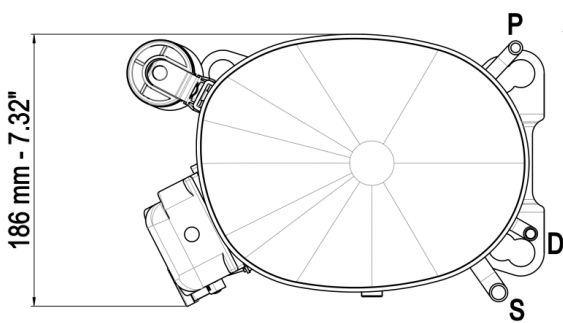


- Operating Condition
- Transient Condition
- Superheating

NOTE: usage of compressors outside of intended working range cannot make use of the warranty, or should be consulted with Technical support.



	∅ mm	∅ in	material
S - Suction	9.60 - 9.67	3/8	Cu
P - Process	6.42 - 6.50	1/4	Cu
S - Discharge	6.42 - 6.50	1/4	Cu



∅ 19 mm - 0.75" (x8)

