

Single Pack FRK8.5G 220-240V 50Hz / 208-230V 60Hz CSIR

Single pack code number: **195B4769**

Position	Title	Code	Amount
1	Compressor FRK8.5G	106G5753	1
2	Starting capacitor (80 μ F 220V, 6.3mm)	117U5001	1
3	Starting relay (QLZ-5.5A, overload protector T0377/L6)	117U7071	1
4	KL accessories	103N1060	1
5	Bolt joint for one compressor M6 \varnothing 16mm	118-1917	1

Secop GmbH • Lise-Meitner-Straße 29 • 24941 Flensburg, Germany • Tel: +49 461 4941 0 • www.secop.com

Secop accepts no responsibility for possible errors in catalogs, brochures, and other printed material. Secop reserves the right to alter its products without notice. This also applies to products already on order provided that such alterations can be made without subsequent changes being necessary to specifications already agreed. All trademarks in this material are the property of the respective companies. Secop and the Secop logotype are trademarks of Secop GmbH. All rights reserved.

Model

Designation	FRK8.5G	220-240V/50Hz 1~ 208-230V/60Hz 1~	Sales code:	106G5753
-------------	----------------	------------------------------------------	-------------	-----------------

Compressor design

Oil type	Polyolester	Refrigerant(s)	R134a, R513A
Oil viscosity	19,2cSt	Displacement	6,6cm ³ / 0,4cu.in
Oil quantity	240cm ³ / 8,1fl.oz	Compressors on pallet	100
Refr. charge - tech. limit	700g / 24,7oz		
Free gas volume comp.	1510cm ³ / 51,1fl.oz		
Weight	9,5kg / 20,9lbs		
Motor protection	external		
Winding resistance main	8,4Ω (at 25°C)		
Winding resistance aux	11,9Ω (at 25°C)		
Max. winding temp.	125°C / 257°F		
Max. discharge temp.	130°C / 266°F		
Additional note	Very good robustness against liquid intake. Ice-cube maker optimization - indirect suction intake. Special design for high refrigerant charge		



General - Configurations with FRK8.5G

	Conf. 1	Conf. 2
Motor configuration	CSIR	CSIR
Power supply (nominal)	220-240V/50Hz	208-230V/60Hz
Number of phases	1	1
Voltage range	187-254V	198-253V
Approvals	VDE, CB, UL	VDE, CB, UL
Starting torque	HST	HST
Note	- / -	

Applications with FRK8.5G

	Conf. 1	Conf. 2
Refrigerant	R134a	R134a
Application	LBP+MBP+HBP	LBP+MBP
System cooling	fan 3m/s	fan 3m/s
Hot gas defrost	OK	OK
Long interval pull down	OK	OK

Electrical data - Configurations with FRK8.5G

	Conf. 1	Conf. 2
Starting device type	relay	relay
Run capacitor	-/-	-/-
Start capacitor	80μF	80μF
LRA (locked rotor amps / 4s/ U(N))	13,4A	13,2A
RLA (rated load amps / 1s/ U(N))	1,8A	2A
Cut in current (U(N))	12,3A	12,3A

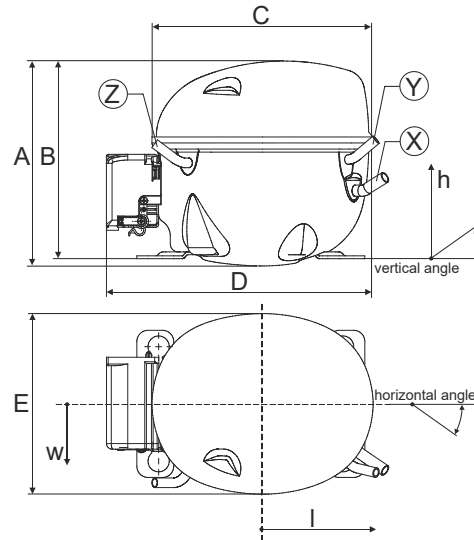
Model

Designation **FRK8.5G** 220-240V/50Hz 1~ 208-230V/60Hz 1~ Sales code: **106G5753**

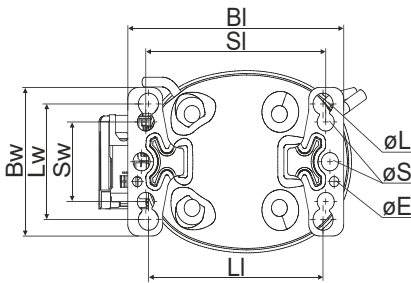
Compressor dimensions

Housing	A Height	182mm / 7,17in
	B Height	175mm / 6,89in
	C Length shell	198mm / 7,8in
	D Length w. cover	238mm / 9,37in
	E Width	160mm / 6,3in

Connectors	Suction	Discharge	Process
	X	Y	Z
Diameter [mm]	øi 8,11-8,29	øi 6,11-6,29	øi 6,11-6,29
(i:inside, o:outside) [in]	øi 0,32-0,33	øi 0,24-0,25	øi 0,24-0,25
Material	copper	copper	copper
Horizontal angle	±2° 35°	13°	0°
Vertical angle	±2° 30°	40°	145°
Position l/h/w [mm]	119/73/59	117/107/66	-88/101/71
[in]	4,7/2,9/2,3	4,6/4,2/2,6	-3,5/4/2,8
Straight tube l.	[mm]	14	14
	[in]	0,5	0,5

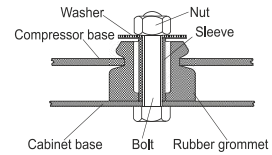


Compressor fixation

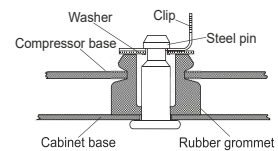


Baseplate	[mm]	[inch]
BI	204	8.03
BW	132	5.2
øE	ø 9.7	ø 0.38
Large holes	[mm]	[inch]
LI	165	6.5
LW	101.6	4
øL	ø 19	ø 0.75
Small holes	[mm]	[inch]
SI	170	6.7
SW	70	2.76
øS	ø 16	ø 0.63

Bolt joint



Snap-on



Mounting accessories	one comp.	multi pack
Bolt joint M6 ø16mm	118-1917	118-1918
Bolt joint ø1/4" ø16mm	118-1946	
Bolt joint ø1/4" ø19mm	118-1949	
Snap-on ø7,3 ø16mm	118-1947	118-1919

Application notes

Provision for PE Grounding is located at the PE Stamp on the compressor
 Suctiongas connector and Process connector can be switched (minor loss of cooling capacity)

Model

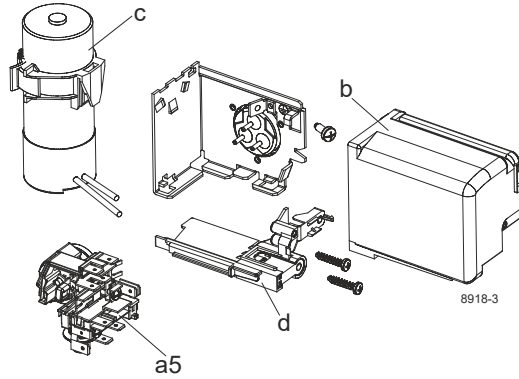
Designation	FRK8.5G	220-240V/50Hz	Conf. 1	Sales code:	106G5753
-------------	----------------	----------------------	---------	-------------	-----------------

Configuration

Motor configuration	CSIR
Power supply (nominal)	220-240V/50Hz 1~
Refrigerant	R134a
Application	LBP+MBP+HBP
Voltage range	187-254V
Starting torque	HST
Approvals	VDE
	CB
	UL

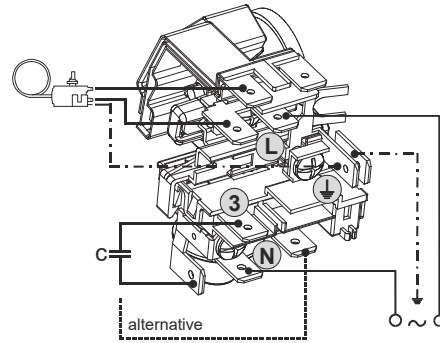
Electrical accessories / wiring diagram

CSIR

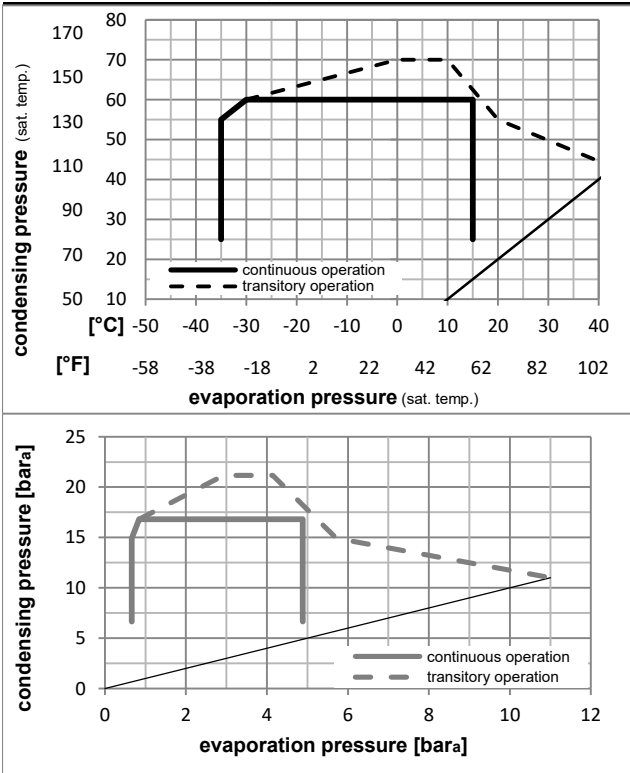


Ambient/ machine room temperatures minimum /maximum

Ambient temperature range:	10 - 43°C / 50 - 110°F
Machine room temperature range:	10 - 48°C / 50 - 119°F
Compressor cooling:	fan 3m/s



Operation pressure range



Components

a5	current relay (T0377/L6-S1)	117U7071
c	start capacitor (80µF, 6.3mm)	117U5001
b, d	cover + clamp + screws(5VA-compl.)	103N0600

Alternative components

b, d	100x cover + clamp + screws(5VA)	103N2060
b, d	cover + clamp + screws(5VA) in bag	103N1060

Model

Designation **FRK8.5G** **220-240V/50Hz** Conf. 1 Sales code: **106G5753**

Optimization + standard conditions

R134a, 220V/50Hz, CSIR, fan 3m/s, VDE, CB, UL

	Evaporating pressure (saturation temperature)				Condensing pressure (saturation temperature)			Return gas temp.			Liquid temp.			Cooling capacity			COP	EER	Power consumption			
	pe	pc	RGT	Tliq	[W]	[Btu/h]	[kcal/h]	[W/W]	[Btu/Wh]	[kcal/Wh]	[W]	I	m	[W]	[A]	[kg/h]						
[°C]	-23	54	32	32	185,1	632	159,3	1,23	4,19	1,06	150,8	1,30	3,59									
[°F]	-10	130	90	90																	ASHRAE LBP	
[°C]	-7	54	35	46	393,0	1342	338,3	1,78	6,08	1,53	220,8	1,54	8,58								ASHRAE MBP	
[°F]	20	130	95	115																		
[°C]	7,2	54	35	46	701,6	2396	603,8	2,48	8,46	2,13	283,4	1,79	15,57								ASHRAE HBP	
[°F]	45	130	95	115																		
[°C]	-35	40	20	40	97,3	332	83,8	0,89	3,02	0,76	110,0	1,21	2,14								EN12900 LBP	
[°F]	-31	104	68	104																		
[°C]	-10	45	20	45	340,0	1161	292,6	1,80	6,16	1,55	188,5	1,42	7,96								EN12900 MBP	
[°F]	14	113	68	113																		
[°C]	5	50	20	50	599,2	2046	515,6	2,30	7,86	1,98	260,3	1,69	15,10								EN12900 HBP	
[°F]	41	122	68	122																		

Performance tables

R134a, 220V/50Hz, CSIR, fan 3m/s, VDE, CB, UL

	pe		Cooling capacity			COP	EER	P1	I	m	
	[°C]	[°F]	[W]	[Btu/h]	[kcal/h]	[W/W]	[Btu/Wh]	[kcal/Wh]	[W]	[A]	[kg/h]
[°C / °F]	-35	-31	91,8	314	79,0	0,82	2,79	0,70	112,3	1,21	1,98
cond. pressure	-25	-13	160,2	547	137,8	1,16	3,97	1,00	137,9	1,26	3,47
pc= 45/113	-15	5	275,5	941	237,1	1,62	5,52	1,39	170,5	1,36	6,01
return gas temp.	-10	14	352,8	1205	303,6	1,87	6,39	1,61	188,5	1,42	7,72
RGT= 32/90	0	32	550,4	1880	473,6	2,43	8,31	2,09	226,3	1,56	12,17
liquid temp	5	41	672,2	2296	578,5	2,74	9,36	2,36	245,4	1,63	14,97
Tliq= 45/113	15	59	966,1	3299	831,4	3,42	11,69	2,95	282,2	1,78	21,88
[°C / °F]	-35	-31	74,3	254	63,9	0,67	2,28	0,57	111,3	1,20	1,77
cond. pressure	-25	-13	135,7	464	116,8	0,94	3,20	0,81	144,7	1,28	3,25
pc= 55/131	-15	5	236,5	808	203,5	1,28	4,37	1,10	185,0	1,41	5,69
return gas temp	-10	14	303,5	1037	261,2	1,47	5,01	1,26	206,8	1,48	7,34
RGT= 32/90	0	32	474,9	1622	408,7	1,88	6,43	1,62	252,2	1,66	11,62
liquid temp	5	41	580,8	1984	499,8	2,11	7,21	1,82	275,1	1,75	14,31
Tliq= 55/131	15	59	836,9	2858	720,2	2,62	8,95	2,26	319,3	1,95	21,02

Model

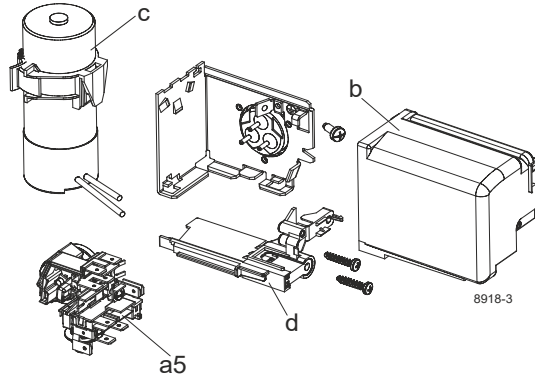
Designation **FRK8.5G** **208-230V/60Hz** Conf. 2 Sales code: **106G5753**

Configuration

Motor configuration CSIR
 Power supply (nominal) 208-230V/60Hz 1~
 Refrigerant R134a
 Application LBP+MBP
 Voltage range 198-253V
 Starting torque HST
 Approvals VDE
 CB
 UL

Electrical accessories / wiring diagram

CSIR

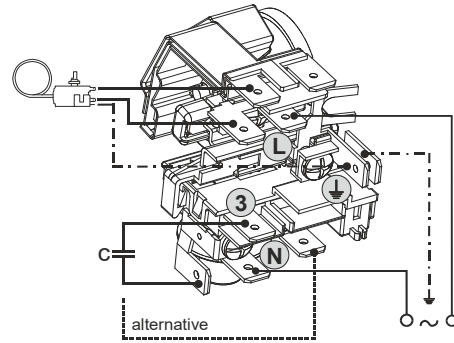


Ambient/ machine room temperatures minimum /maximum

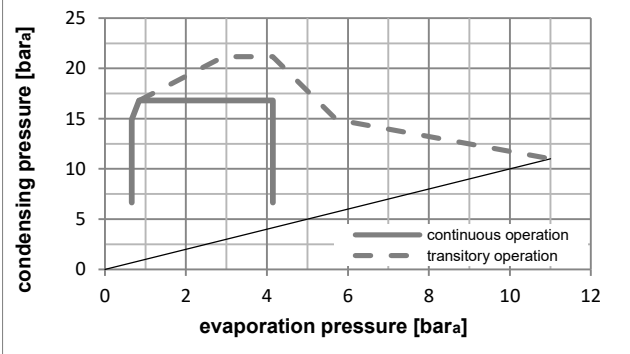
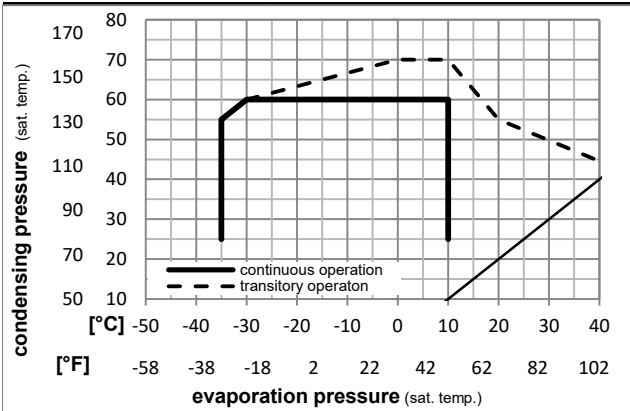
Ambient temperature range: 10 - 43°C / 50 - 110°F

Machine room temperature range: 10 - 48°C / 50 - 119°F

Compressor cooling: fan 3m/s



Operation pressure range



Components

- a5 current relay (T0377/L6-S1) 117U7071
- c start capacitor (80µF, 6.3mm) 117U5001
- b, d cover + clamp + screws(5VA-compl.) 103N0600

Alternative components

- b, d 100x cover + clamp + screws(5VA) 103N2060
- b, d cover + clamp + screws(5VA) in bag 103N1060

Model

Designation **FRK8.5G** **208-230V/60Hz** Conf. 2 Sales code: **106G5753**

Optimization + standard conditions

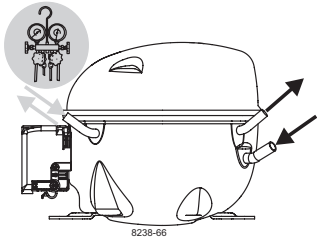
R134a, 230V/60Hz, CSIR, fan 3m/s, VDE, CB, UL

	Evaporating pressure (saturation temperature)				Condensing pressure (saturation temperature)			COP	EER	Power consumption			ASHRAE	
	pe	pc	RGT	Tliq	[W]	[Btu/h]	[kcal/h]			P1	I	m		
	[°C]	[°F]	[°C]	[°F]	[W]	[Btu/h]	[kcal/h]	[W/W]	[Btu/Wh]	[kcal/Wh]	[W]	[A]	[kg/h]	
	-23	54	32	32	224,3	766	193,0	1,32	4,51	1,14	169,9	1,25	4,35	ASHRAE LBP
	-10	130	90	90										
	-7	54	35	46	464,9	1588	400,1	1,84	6,27	1,58	253,3	1,51	10,14	ASHRAE MBP
	20	130	95	115										
	7,2	54	35	46	821,8	2807	707,2	2,52	8,60	2,17	326,3	1,78	18,23	ASHRAE HBP
	45	130	95	115										
	-35	40	20	40	116,1	396	99,9	1,07	3,64	0,92	108,9	1,11	2,55	EN12900 LBP
	-31	104	68	104										
	-10	45	20	45	399,5	1365	343,9	1,81	6,18	1,56	220,8	1,40	9,35	EN12900 MBP
	14	113	68	113										
	5	50	20	50	700,4	2392	602,8	2,31	7,88	1,98	303,7	1,70	17,65	EN12900 HBP
	41	122	68	122										

Performance tables

R134a, 230V/60Hz, CSIR, fan 3m/s, VDE, CB, UL

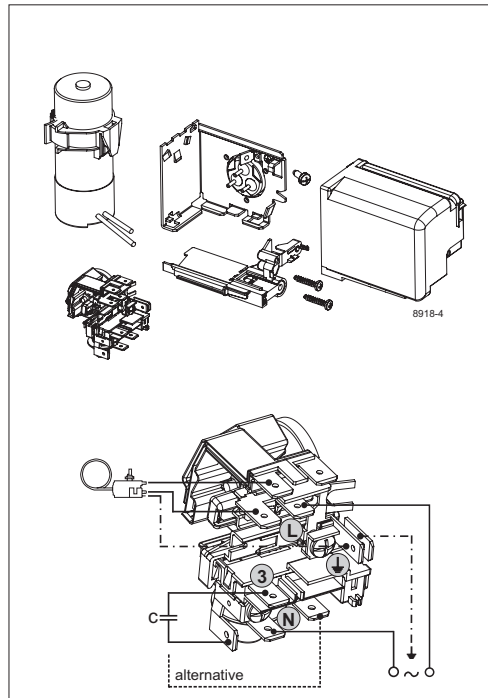
	pe		Cooling capacity			COP	EER	P1	I	m	
	[°C]	[°F]	[W]	[Btu/h]	[kcal/h]	[W/W]	[Btu/Wh]	[kcal/Wh]	[W]	[A]	[kg/h]
[°C / °F]	-35	-31	109,2	373	94,0	1,01	3,46	0,87	107,8	1,11	2,36
cond. pressure	-25	-13	192,8	659	166,0	1,24	4,23	1,07	155,6	1,22	4,18
pc= 45/113	-15	5	326,0	1113	280,6	1,64	5,59	1,41	199,3	1,34	7,11
return gas temp.	-10	14	414,5	1416	356,7	1,88	6,41	1,62	220,8	1,40	9,07
RGT= 32/90	0	32	642,1	2193	552,6	2,42	8,26	2,08	265,6	1,56	14,20
liquid temp	5	41	783,8	2677	674,6	2,70	9,23	2,33	289,9	1,64	17,45
Tliq= 45/113	15	59	1129,9	3859	972,4	3,28	11,20	2,82	344,6	1,84	25,59
[°C / °F]	-35	-31	84,4	288	72,7	0,80	2,74	0,69	105,3	1,10	2,01
cond. pressure	-25	-13	164,5	562	141,6	1,02	3,48	0,88	161,6	1,23	3,93
pc= 55/131	-15	5	283,5	968	244,0	1,33	4,55	1,15	212,7	1,38	6,82
return gas temp	-10	14	360,9	1232	310,6	1,52	5,19	1,31	237,6	1,46	8,73
RGT= 32/90	0	32	558,2	1906	480,4	1,94	6,61	1,67	288,3	1,64	13,65
liquid temp	5	41	680,9	2325	586,0	2,16	7,38	1,86	315,2	1,74	16,78
Tliq= 55/131	15	59	980,7	3349	844,0	2,62	8,95	2,25	374,3	1,96	24,63



FRK Compressors

SECOP

Keep electrical equipment
clear from oil, chemicals,
and water



Secop accepts no responsibility for possible errors in catalogs, brochures, and other printed material. Secop reserves the right to alter its products without notice. This also applies to products already on order provided that such alterations can be made without subsequential changes being necessary to specifications already agreed. All trademarks in this material are the property of the respective companies. Secop and the Secop logotype are trademarks of Secop GmbH. All rights reserved. www.secop.com