

NLE15KK.4 Energy-optimized Compressor R600a 220-240V 50Hz

General

| | |
|-----------------------|-----------------------------|
| Code number | 105H6968 |
| Approvals | EN 60335-2-34 with Annex AA |
| Compressors on pallet | 80 |

Application

| Application | LBP | | |
|--|-----|------------|----|
| Frequency | Hz | 50 | 60 |
| Evaporating temperature | °C | -35 to -10 | - |
| Voltage range | V | 198 - 254 | - |
| Max. condensing temperature continuous (short) | °C | 60 (70) | - |
| Max. winding temperature continuous (short) | °C | 125 (135) | - |

Cooling requirements

| Frequency | Hz | 50 | | | 60 | | |
|-------------------------|----|-----|-----|-----|-----|-----|-----|
| Application | | LBP | MBP | HBP | LBP | MBP | HBP |
| 32°C | | S | - | - | - | - | - |
| 38°C | | S | - | - | - | - | - |
| 43°C | | S | - | - | - | - | - |
| Remarks on application: | | | | | | | |

Motor

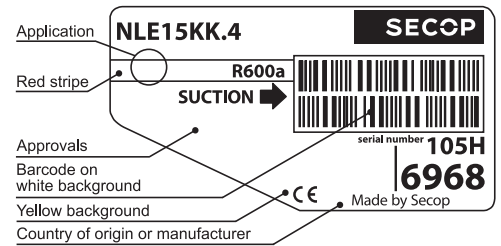
| Motor type | RSIR/RSCR | | |
|---|-----------|------|------|
| LRA (rated after 4 sec. UL984), HST LST | A | - | 6.6 |
| Cut in Current, HST LST | A | - | 10.9 |
| Resistance, main start winding (25°C) | Ω | 10.7 | 13.0 |

Design

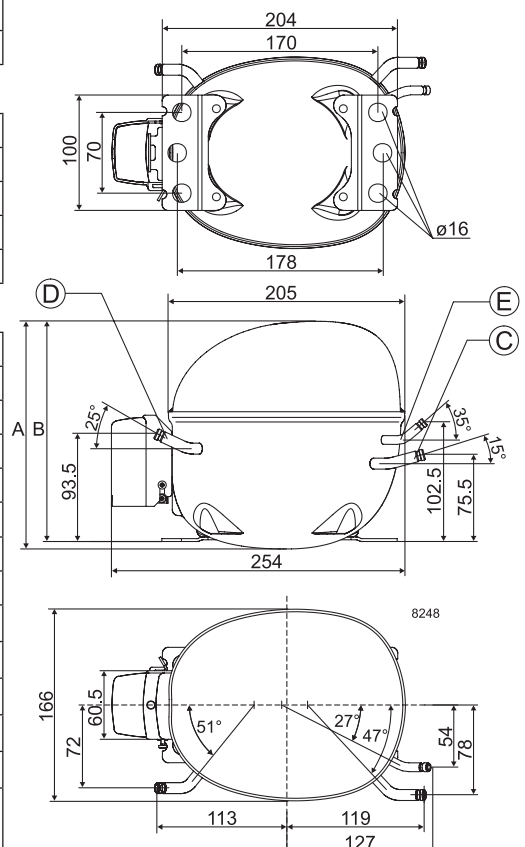
| | | |
|-------------------------------------|-----------------|---------------|
| Displacement | cm ³ | 14.65 |
| Oil quantity (type) | cm ³ | 270 (mineral) |
| Maximum refrigerant charge | g | 150 |
| Free gas volume in compressor | cm ³ | 2310 |
| Weight without electrical equipment | kg | 10.8 |

Dimensions

| | | | |
|----------------------|--------------------------|---------------------------|---------------------------|
| Height | mm | A | 197 |
| | | B | 190 |
| | | B1 | - |
| | | B2 | - |
| Suction connector | location/I.D. mm angle | C | 6.2 15° |
| | | material comment | Cu-plated steel Al caps |
| Process connector | location/I.D. mm angle | D | 6.2 25° |
| | | material comment | Cu-plated steel Al caps |
| Discharge connector | location/I.D. mm angle | E | 5.0 35° |
| | | material comment | Cu-plated steel Al caps |
| Oil cooler connector | location/I.D. mm angle | F | - |
| | | material comment | - |
| Connector tolerance | I.D. mm | ±0.09, on 5.0 +0.12/+0.20 | |
| Remarks: | | | |



- S = Static cooling normally sufficient
- O = Oil cooling
- F₁ = Fan cooling 1.5 m/s (compressor compartment temperature equal to ambient temperature)
- F₂ = Fan cooling 3.0 m/s necessary
- SG = Suction gas cooling normally sufficient
- = not applicable in this area



EN 12900 Household (CECOMAF) 220V, 50Hz, 2 W PTC consumption incl., static cooling

| | | | | | | | | | | | | | | | | | |
|--------------------|-----|-----|------|------|------|-------|------|------|------|------|----|---|---|-----|----|----|----|
| Evap. temp in °C | -45 | -40 | -35 | -30 | -25 | -23.3 | -20 | -15 | -10 | -6.7 | -5 | 0 | 5 | 7.2 | 10 | 15 | 20 |
| Capacity in W | | | 110 | 146 | 190 | 207 | 243 | 307 | 382 | | | | | | | | |
| Power cons. in W | | | 119 | 138 | 158 | 165 | 180 | 205 | 235 | | | | | | | | |
| Current cons. in A | | | 0.94 | 0.99 | 1.07 | 1.09 | 1.16 | 1.27 | 1.40 | | | | | | | | |
| COP in W/W | | | 0.92 | 1.06 | 1.20 | 1.25 | 1.35 | 1.49 | 1.63 | | | | | | | | |

EN 12900 Household (CECOMAF) 220V, 50Hz, RC 4µF, 2 W PTC consumption incl., static cooling

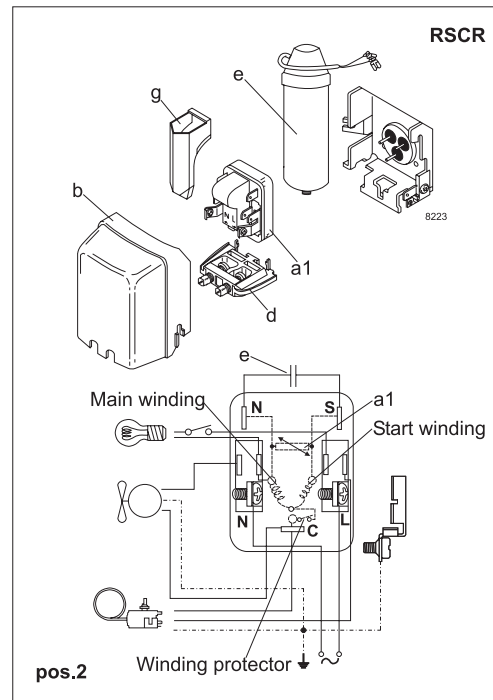
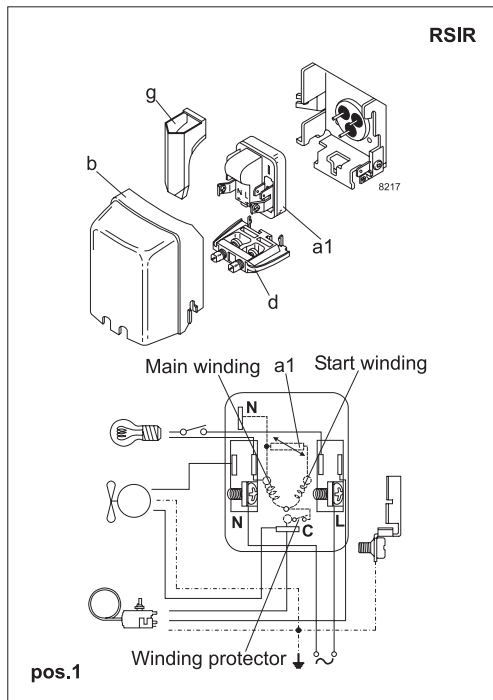
| | | | | | | | | | | | | | | | | | |
|--------------------|-----|-----|------|------|------|-------|------|------|------|------|----|---|---|-----|----|----|----|
| Evap. temp in °C | -45 | -40 | -35 | -30 | -25 | -23.3 | -20 | -15 | -10 | -6.7 | -5 | 0 | 5 | 7.2 | 10 | 15 | 20 |
| Capacity in W | | | 110 | 146 | 190 | 207 | 243 | 307 | 382 | | | | | | | | |
| Power cons. in W | | | 115 | 133 | 152 | 159 | 173 | 196 | 223 | | | | | | | | |
| Current cons. in A | | | 0.66 | 0.75 | 0.84 | 0.88 | 0.96 | 1.08 | 1.22 | | | | | | | | |
| COP in W/W | | | 0.95 | 1.10 | 1.25 | 1.30 | 1.41 | 1.56 | 1.71 | | | | | | | | |

ASHRAE LBP 220V, 50Hz, 2 W PTC consumption incl., static cooling

| | | | | | | | | | | | | | | | | | |
|--------------------|-----|-----|------|------|------|-------|------|------|------|------|----|---|---|-----|----|----|----|
| Evap. temp in °C | -45 | -40 | -35 | -30 | -25 | -23.3 | -20 | -15 | -10 | -6.7 | -5 | 0 | 5 | 7.2 | 10 | 15 | 20 |
| Capacity in W | | | 134 | 178 | 232 | 253 | 297 | 374 | 466 | | | | | | | | |
| Power cons. in W | | | 119 | 138 | 158 | 165 | 180 | 205 | 234 | | | | | | | | |
| Current cons. in A | | | 0.94 | 0.99 | 1.06 | 1.09 | 1.16 | 1.27 | 1.40 | | | | | | | | |
| COP in W/W | | | 1.13 | 1.29 | 1.47 | 1.53 | 1.65 | 1.83 | 1.99 | | | | | | | | |

ASHRAE LBP 220V, 50Hz, RC 4µF, 2 W PTC consumption incl., static cooling

| | | | | | | | | | | | | | | | | | |
|--------------------|-----|-----|------|------|------|-------|------|------|------|------|----|---|---|-----|----|----|----|
| Evap. temp in °C | -45 | -40 | -35 | -30 | -25 | -23.3 | -20 | -15 | -10 | -6.7 | -5 | 0 | 5 | 7.2 | 10 | 15 | 20 |
| Capacity in W | | | 134 | 178 | 232 | 253 | 297 | 374 | 466 | | | | | | | | |
| Power cons. in W | | | 115 | 133 | 152 | 159 | 172 | 195 | 222 | | | | | | | | |
| Current cons. in A | | | 0.66 | 0.75 | 0.84 | 0.88 | 0.95 | 1.08 | 1.21 | | | | | | | | |
| COP in W/W | | | 1.16 | 1.34 | 1.53 | 1.59 | 1.72 | 1.92 | 2.10 | | | | | | | | |



| Accessories for | NLE15KK.4 | Figure | Code number | Test conditions | EN 12900/ CECOMAF | ASHRAE |
|----------------------------------|-------------------------|---------------|-------------|-----------------------------|----------------------|----------|
| PTC starting device | 6.3 mm spade connectors | a1 (pos.1) | 103N0011 | Condensing temperature | 55°C | 54.4°C |
| | 4.8 mm spade connectors | | 103N0018 | Ambient temperature | 32°C | 32°C |
| PTC starting device | 6.3 mm spade connectors | a1 (pos.2) | 103N0016 | Suction gas temperature | 32°C | 32°C |
| | 4.8 mm spade connectors | | 103N0021 | Liquid temperature | no subcooling | 32°C |
| ePTC starting device | 4.8 mm spade connectors | | 103N0050 | | | |
| Cover | | b | 103N2010 | Mounting accessories | | |
| Cord relief | | d | 103N1010 | Bolt joint for one comp. | Ø: 16 mm | 118-1917 |
| Run capacitor 4 µF (optional) | 6.3 mm spade connectors | e | 117-7117 | Bolt joint in quantities | Ø: 16 mm | 118-1918 |
| | 4.8 mm spade connectors | | 117-7119 | Snap-on in quantities | Ø: 16 mm | 118-1919 |
| Protection screen for PTC | | g | 103N0476 | | | |

Secop can accept no responsibility for possible errors in catalogues, brochures and other printed material. Secop reserves the right to alter its products without notice. This also applies to products already on order provided that such alterations can be made without consequential changes being necessary in specifications already agreed. All trademarks in this material are property of the respective companies. Secop and the Secop logotype are trademarks of Secop GmbH. All rights reserved. www.secop.com